



Teplice Cadet European Cup 2022

Teplice (CZE), 09-10 Apr 2022

-50 kg

21 Judoka

POOL A

1 KOLLAR, Sebestyen HUN 1 KOLLAR, S. (HUN)
17

9 VIEGAS, Daniel POR 2
25 NOVOBILSKY, Vaclav CZE

5 ZVULUN, Liad ISR 3 ZVULUN, Liad (ISR)
21

13 STSEKOTIN, Filipp EST 4 STSEKOTIN, F. (EST)
29

POOL B

3 LATTANZI, Emiliano ITA 5 LATTANZI, E. (ITA)
19

11 THEN, Carl GER 6 THEN, Carl (GER)
27

7 HOCHMAN, Itay ISR 7 HOCHMAN, Itay (ISR)
23

15 BERISHVILI, Saba GEO 8
31 ADORJANI, Andras HUN

POOL C

2 AVERSA, Samuele ITA 9 AVERSA, Samuele (ITA)
18

10 DECLERCQ, Andreas BEL 10
26 RICHTER, Arjan GER

6 TAMARY, Ben ISR 11 TAMARY, Ben (ISR)
22

14 BAUD, Romain SUI 12
30 GALO, Bence HUN

POOL D

4 NAKAR, Ido ISR 13 NAKAR, Ido (ISR)
20

12 MALETS, Nikita UKR 14 MALETS, Nikita (UKR)
28

8 REICHER, Omer ISR 15 REICHER, Omer (ISR)
24

16 MAISURADZE, Luka GEO 16
32 RAFFAY, Barnabas HUN

Pool A - Winner
Vainqueur / Sieger

Pool B - Winner
Vainqueur / Sieger

Pool C - Winner
Vainqueur / Sieger

Pool D - Winner
Vainqueur / Sieger

1.

Results
Résultat / Platzierungen

- 1.
- 2.
- 3.
- 3.
- 5.
- 7.
- 7.

Repechage / Trostrunde

[A1] 29 [A2] 33 [A3]

[B1] 30 [B2] 34 [B3]

[C1] 31 [C2] 35 [C3]

[D1] 32 [D2] 36 [D3]

[38]

[37]

3.

3.

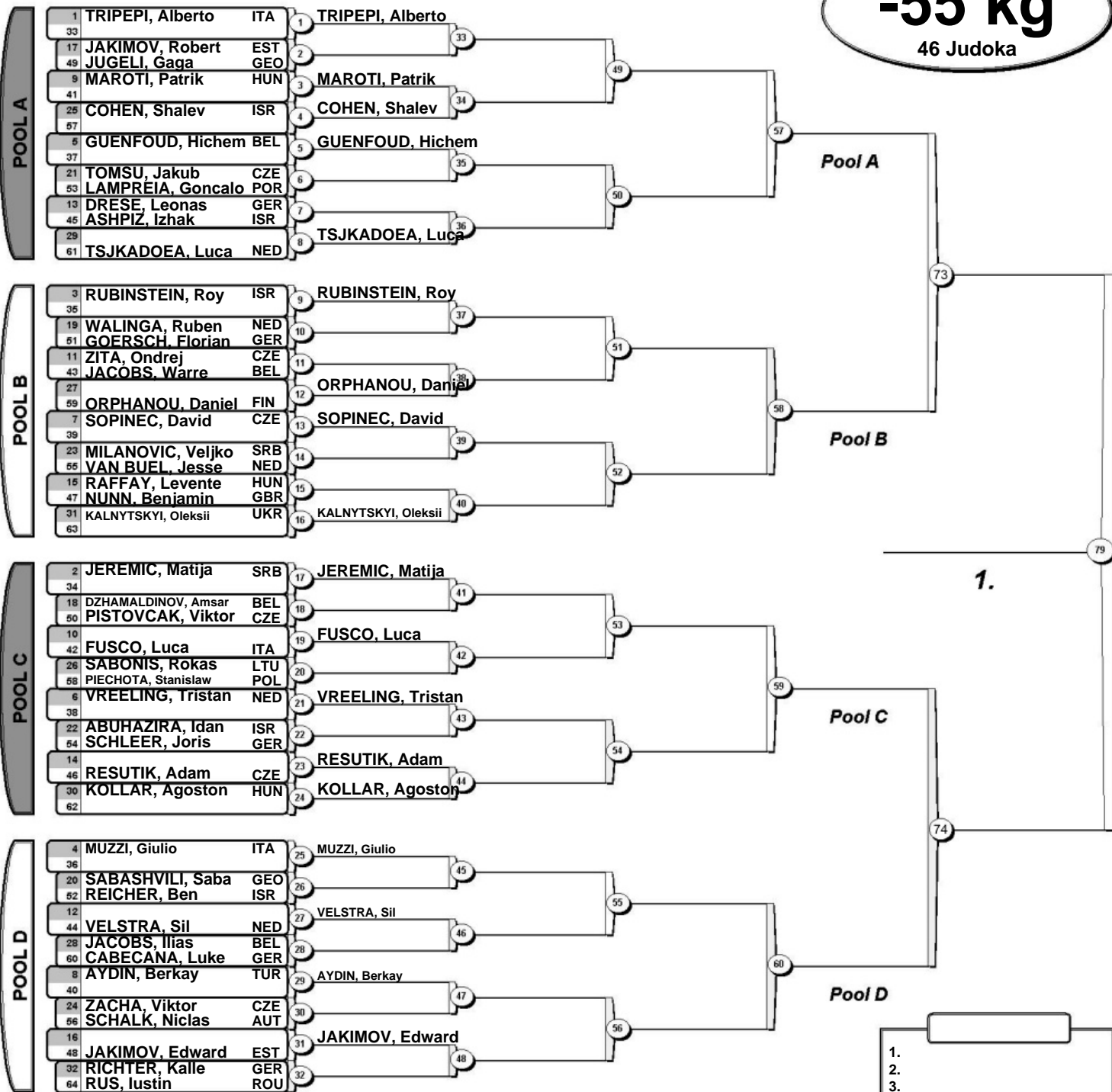


Teplice Cadet European Cup 2022

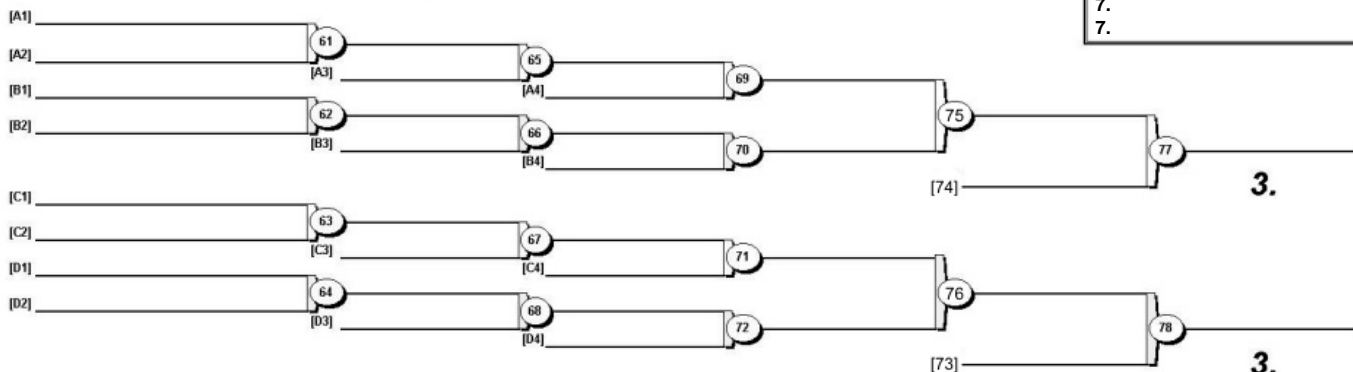
Teplice (CZE), 09-10 Apr 2022

-55 kg

46 Judoka



- 1.
- 2.
- 3.
- 3.
- 5.
- 7.
- 7.



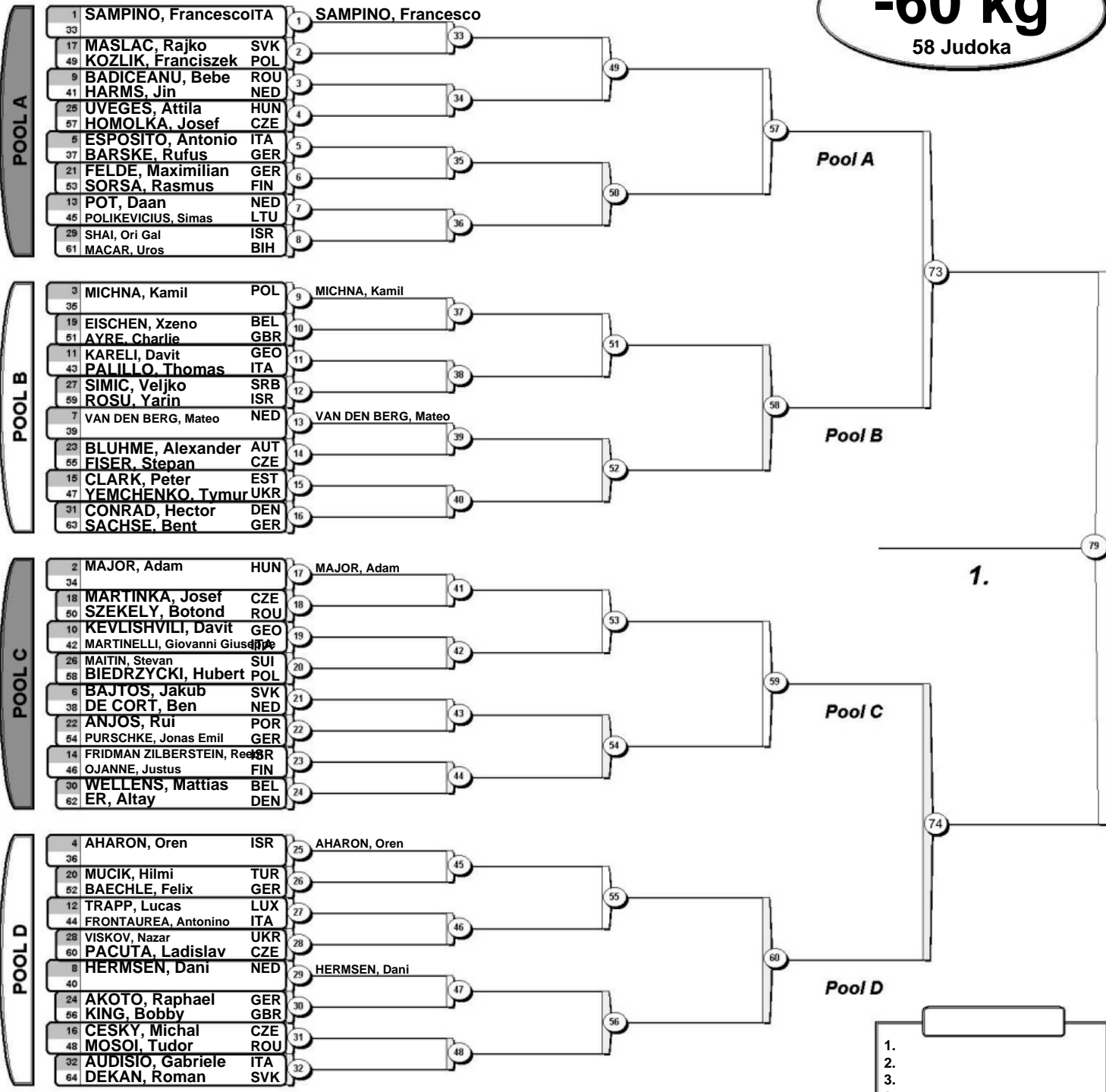


Teplice Cadet European Cup 2022

Teplice (CZE), 09-10 Apr 2022

-60 kg

58 Judoka



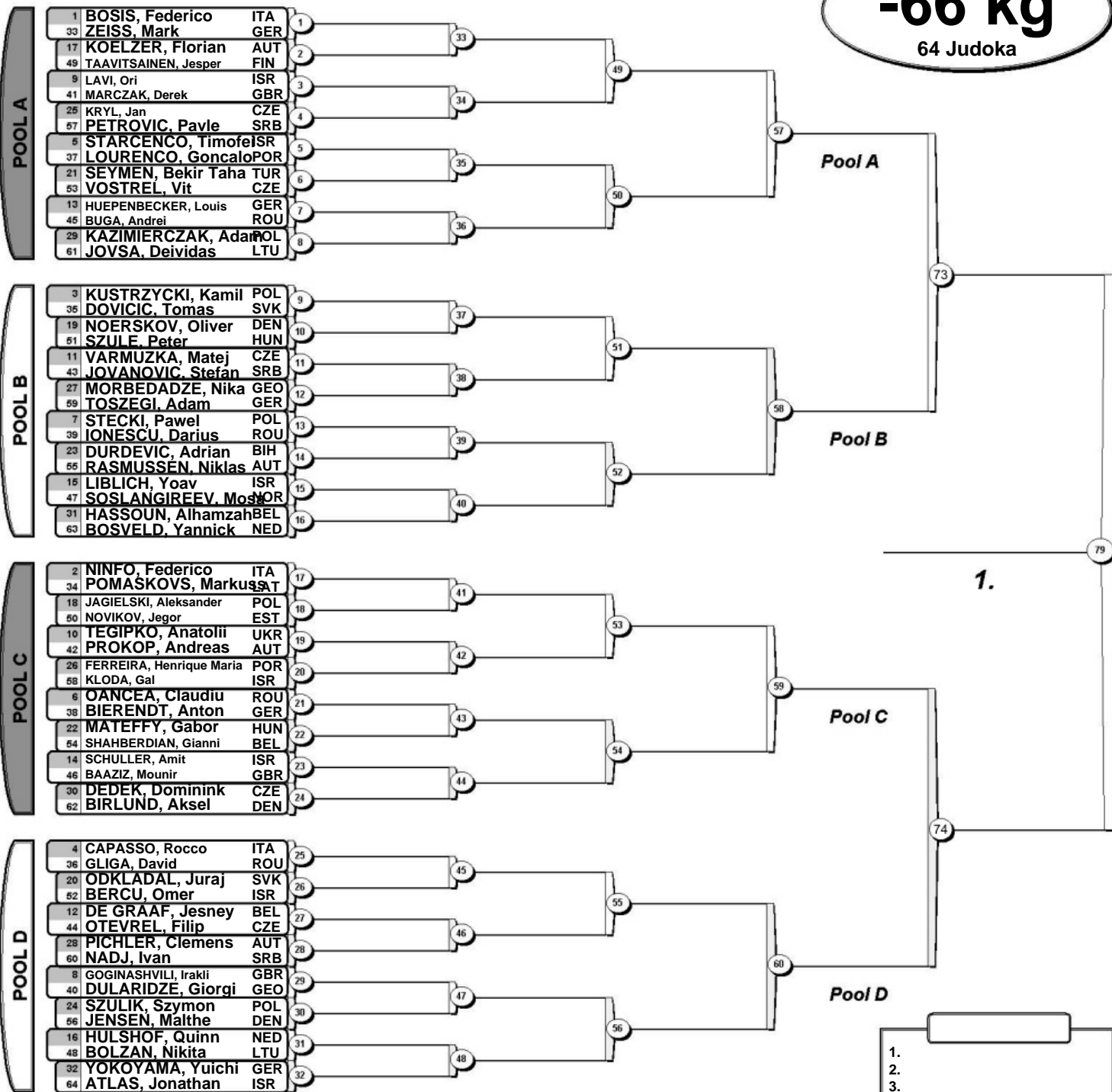


Teplice Cadet European Cup 2022

Teplice (CZE), 09-10 Apr 2022

-66 kg

64 Judoka



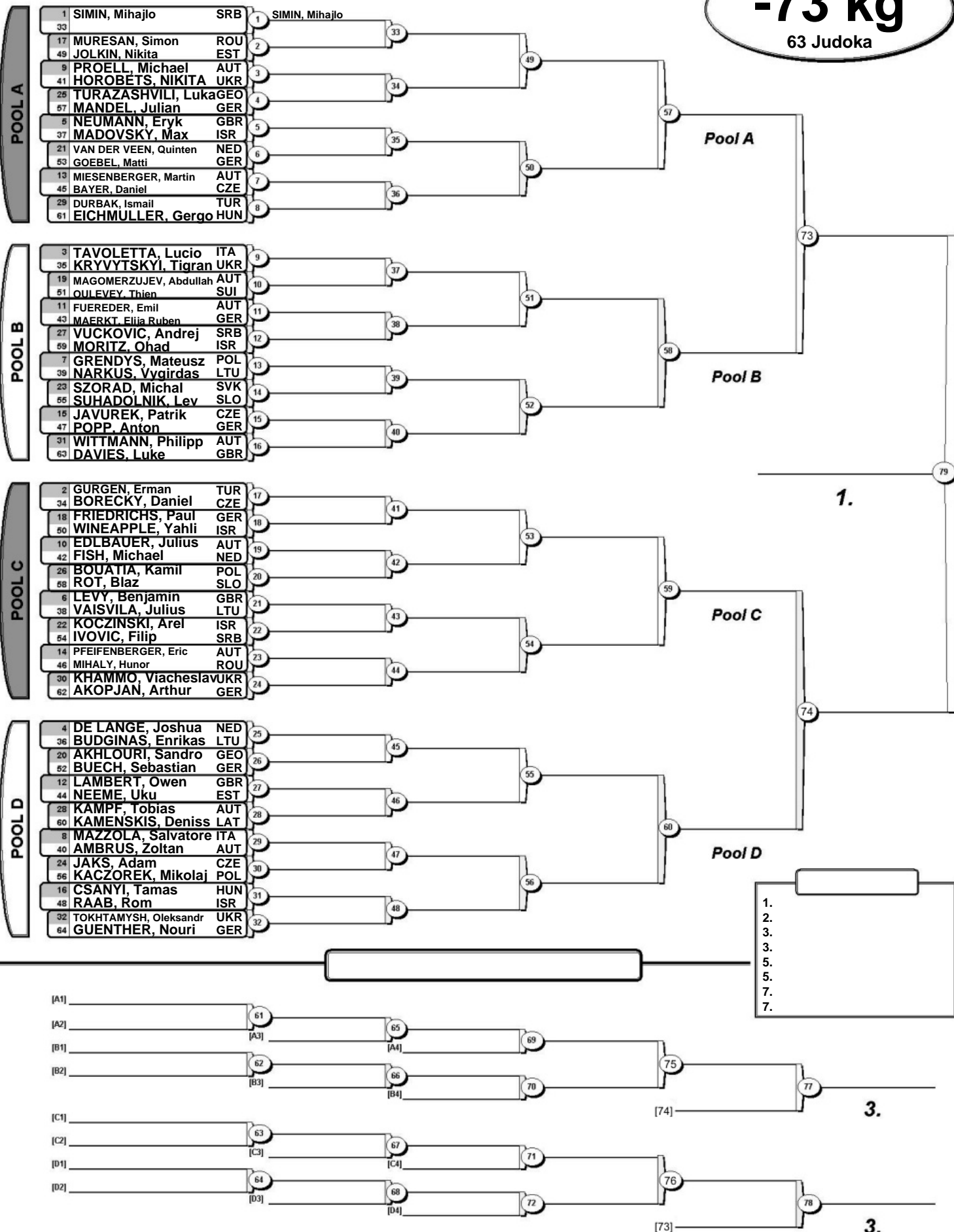


Teplice Cadet European Cup 2022

Teplice (CZE), 09-10 Apr 2022

-73 kg

63 Judoka



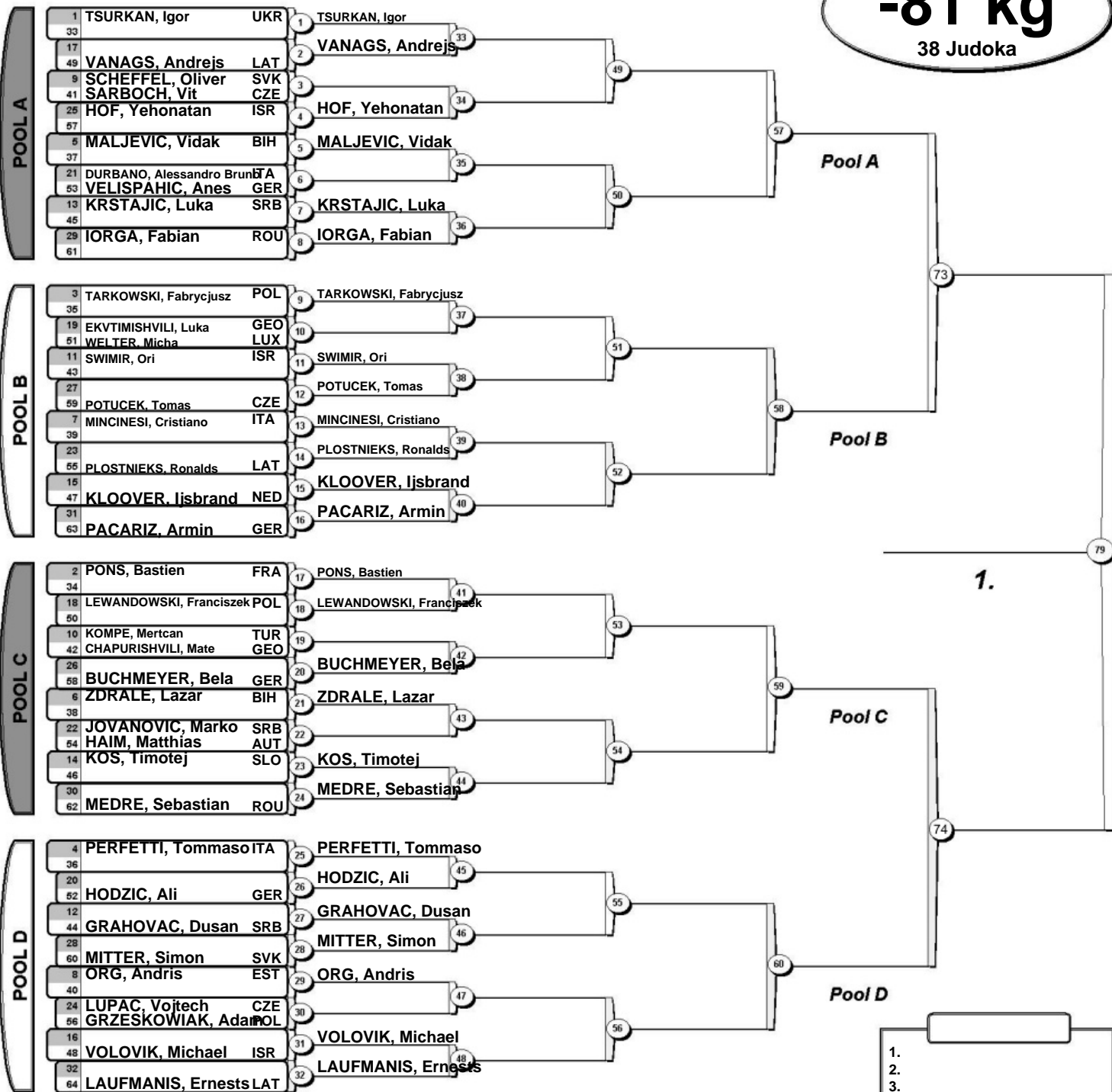


Teplice Cadet European Cup 2022

Teplice (CZE), 09-10 Apr 2022

-81 kg

38 Judoka





Teplice Cadet European Cup 2022

Teplice (CZE), 09-10 Apr 2022

-90 kg

26 Judoka

POOL A

1	BOLDYRIEV, Oleksii	UKR	1	BOLDYRIEV, O. (UKR)
17			17	
9	VARES, Jakob	EST	2	
25	BASSO, Valentino	ITA	2	
5	BOTOS, Noel	HUN	3	
21	CERCHLA, Michal	CZE	3	
13	DURSUN, Fatih	TUR	4	
29	TUGULASHVILI, Giorgi	GEO	4	

Pool A - Winner
Vainqueur / Sieger

POOL B

3	WEITZBAUER, Niklas	AUT	5	WEITZBAUER, N. (AUT)
19			19	
11	OLEKSY, Mateusz	POL	6	
27	SZYMAINSKI, Paul	GER	6	
7	KENDERESI, Peter	HUN	7	KENDERESI, Peter (HUN)
23			20	
15	STEFANIK, Timotej	SVK	8	
31	CECH, Vaclav	CZE	8	

Pool B - Winner
Vainqueur / Sieger

POOL C

2	KUBIAK, Damian	POL	9	KUBIAK, Damian (POL)
18			21	
10	SEDLAK, Martin	CZE	10	
26	TSINTSALASHVILI, Islam	GEO	10	
6	LAMM, Samuel	AUT	11	
22	DUKOW, Erik	GER	11	
14	OZTAS, Mevlut	TUR	12	
30	CUPALOV, Jegor	LTU	12	

Pool C - Winner
Vainqueur / Sieger

POOL D

4	FULNECEK, Simon	CZE	13	FULNECEK, Simon (CZE)
20			23	
12	YUDANOV, Nikita	UKR	14	
28	BAALMANS, Nils	NED	14	
8	BRAZANI, Gal	ISR	15	BRAZANI, Gal (ISR)
24			24	
16	DINCA, Alexandru	ROU	16	
32	GALASSO, Simone	ITA	16	

Pool D - Winner
Vainqueur / Sieger

1.

Results
Résultat / Platzierungen

- 1.
- 2.
- 3.
- 3.
- 5.
- 5.
- 7.
- 7.

Repechage / Trostrunde

[A1]		29		33			
[A2]			[A3]				
[B1]					39		
[B2]		30		34		41	
			[B3]				
[C1]					[38]		3.
[C2]		31		35			
			[C3]				
[D1]					40		
[D2]		32		36		42	
			[D3]				
					[37]		3.

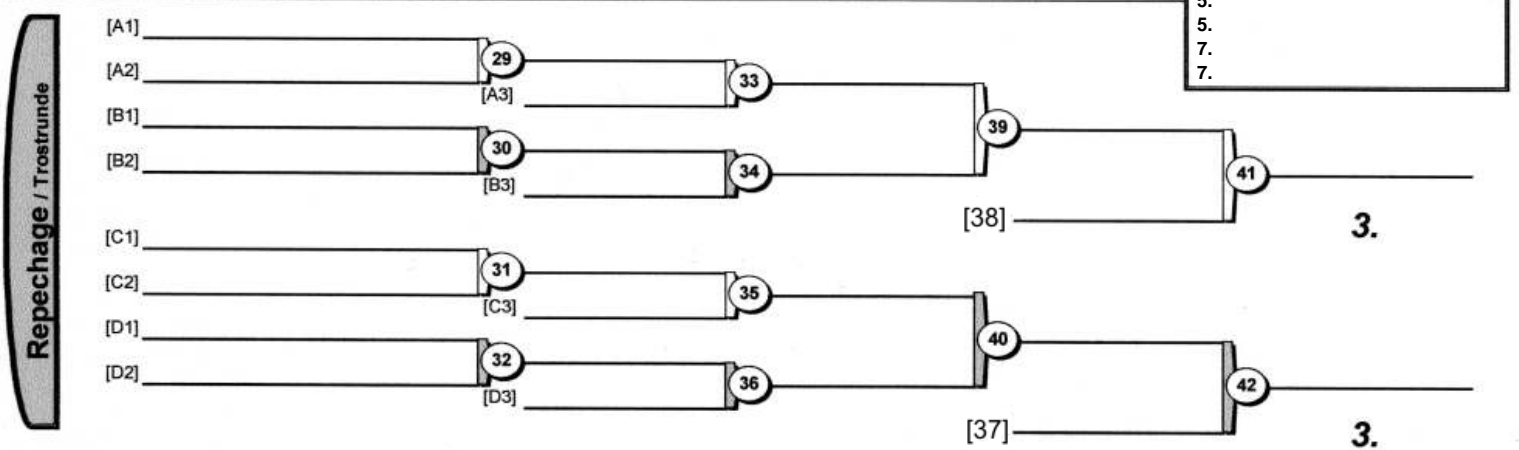
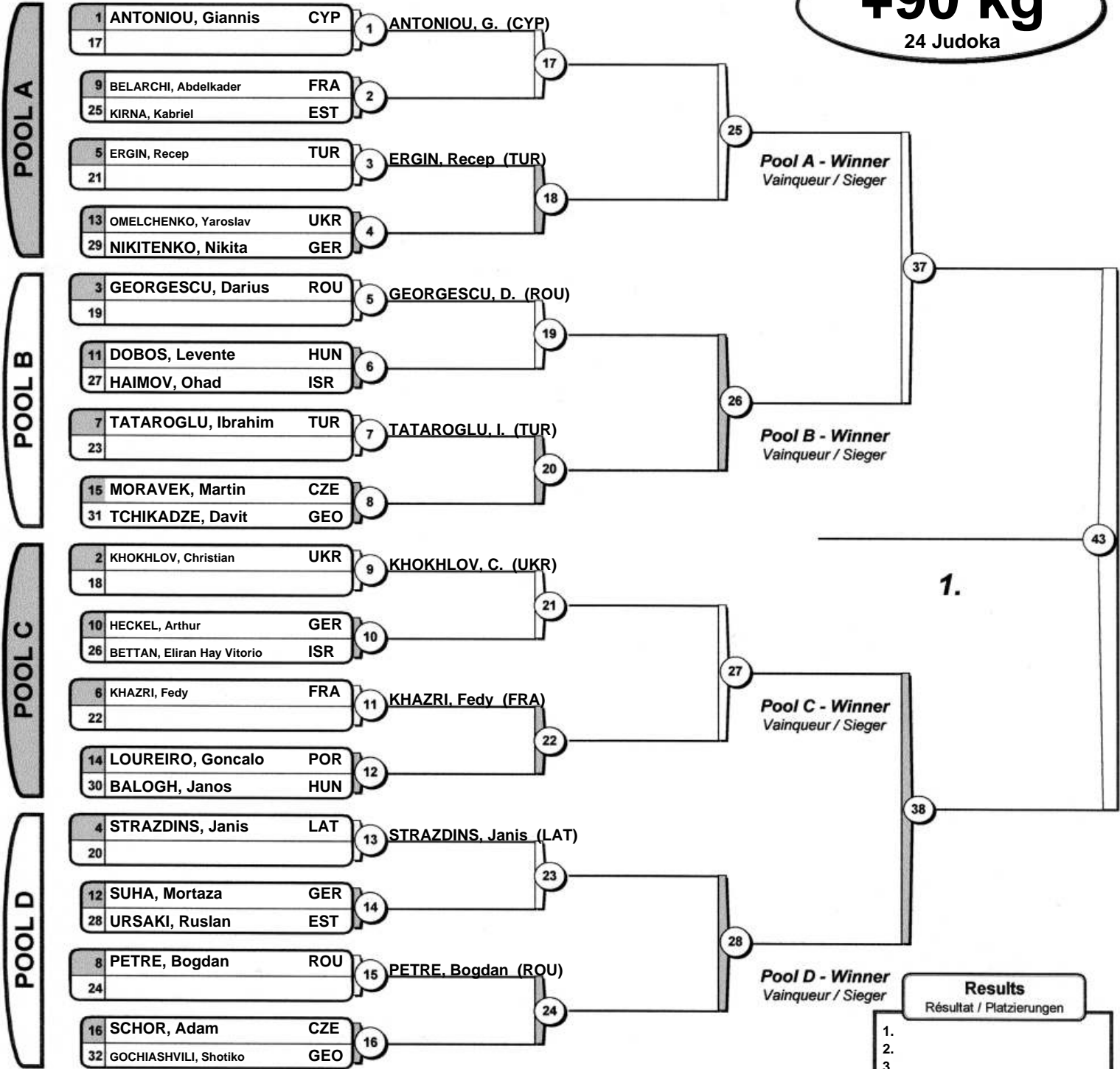


Teplice Cadet European Cup 2022

Teplice (CZE), 09-10 Apr 2022

+90 kg

24 Judoka





Teplice Cadet European Cup 2022

Teplice (CZE), 09-10 Apr 2022

-40 kg

3 Judoka

			1	2	3	Wins Score	
1	AUER, Nina	AUT				0 0	
2	TOMANKOVA, Patricia	SVK				0 0	
3	PROLIC, Natalija	SRB				0 0	

1	AUER, Nina	AUT	1
2	TOMANKOVA, Patricia	SVK	

1	AUER, Nina	AUT	2
3	PROLIC, Natalija	SRB	

2	TOMANKOVA, Patricia	SVK	3
3	PROLIC, Natalija	SRB	

Final Results

- 1.
- 2.
- 3.



Teplice Cadet European Cup 2022

Teplice (CZE), 09-10 Apr 2022

-44 kg

17 Judoka

POOL A

1	WANDEL, Vera	NED	1	WANDEL, Vera (NED)
17				
9	REISZ, Frida	GER	2	REISZ, Frida (GER)
25				
5			3	AMALFITANO, G. (ITA)
21	AMALFITANO, Giusy	ITA		
13			4	SZELECZKI, S. (HUN)
29	SZELECZKI, Szabina	HUN		

Pool A - Winner
Vainqueur / Sieger

POOL B

3	COBANOVIC, Ana	SRB	5	COBANOVIC, Ana (SRB)
19				
11	STOFBERG, Lara	NED	6	STOFBERG, Lara (NED)
27				
7	LEIBOVITZ, Noa	ISR	7	LEIBOVITZ, Noa (ISR)
23				
15			8	STARZMANN, B. (GER)
31	STARZMANN, Barbara	GER		

Pool B - Winner
Vainqueur / Sieger

POOL C

2	KORCAKOVA, Marketa	CZE	9	KORCAKOVA, M. (CZE)
18				
10			10	POTELIDZE, M. (GEO)
26	POTELIDZE, Marika	GEO		
6	KOZUCH, Oliwia	POL	11	KOZUCH, Oliwia (POL)
22				
14	POPESCU, Maia	ROU	12	
30	SUPERSON, Anastasiia	UKR		

Pool C - Winner
Vainqueur / Sieger

POOL D

4	VALERIANI, Rebecca	ITA	13	VALERIANI, R. (ITA)
20				
12	SCHOONEN, Liv	NED	14	SCHOONEN, Liv (NED)
28				
8	GONCALVES, Matilde	POR	15	GONCALVES, M. (POR)
24				
16			16	KRUTSCH, Laura (GER)
32	KRUTSCH, Laura	GER		

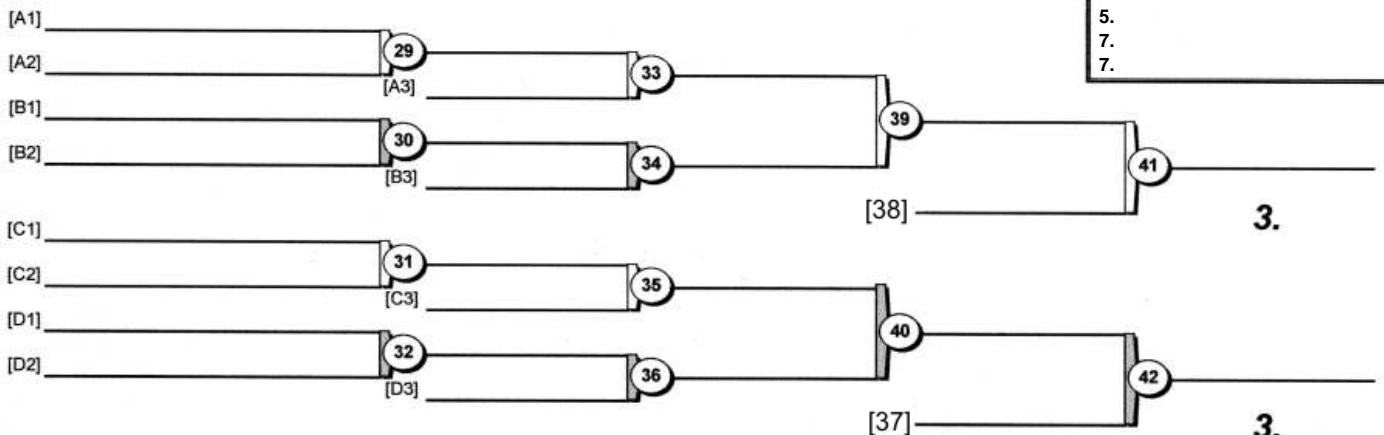
Pool D - Winner
Vainqueur / Sieger

1.

Results
Résultat / Platzierungen

- 1.
- 2.
- 3.
- 3.
- 5.
- 7.
- 7.

Repechage / Trostrunde



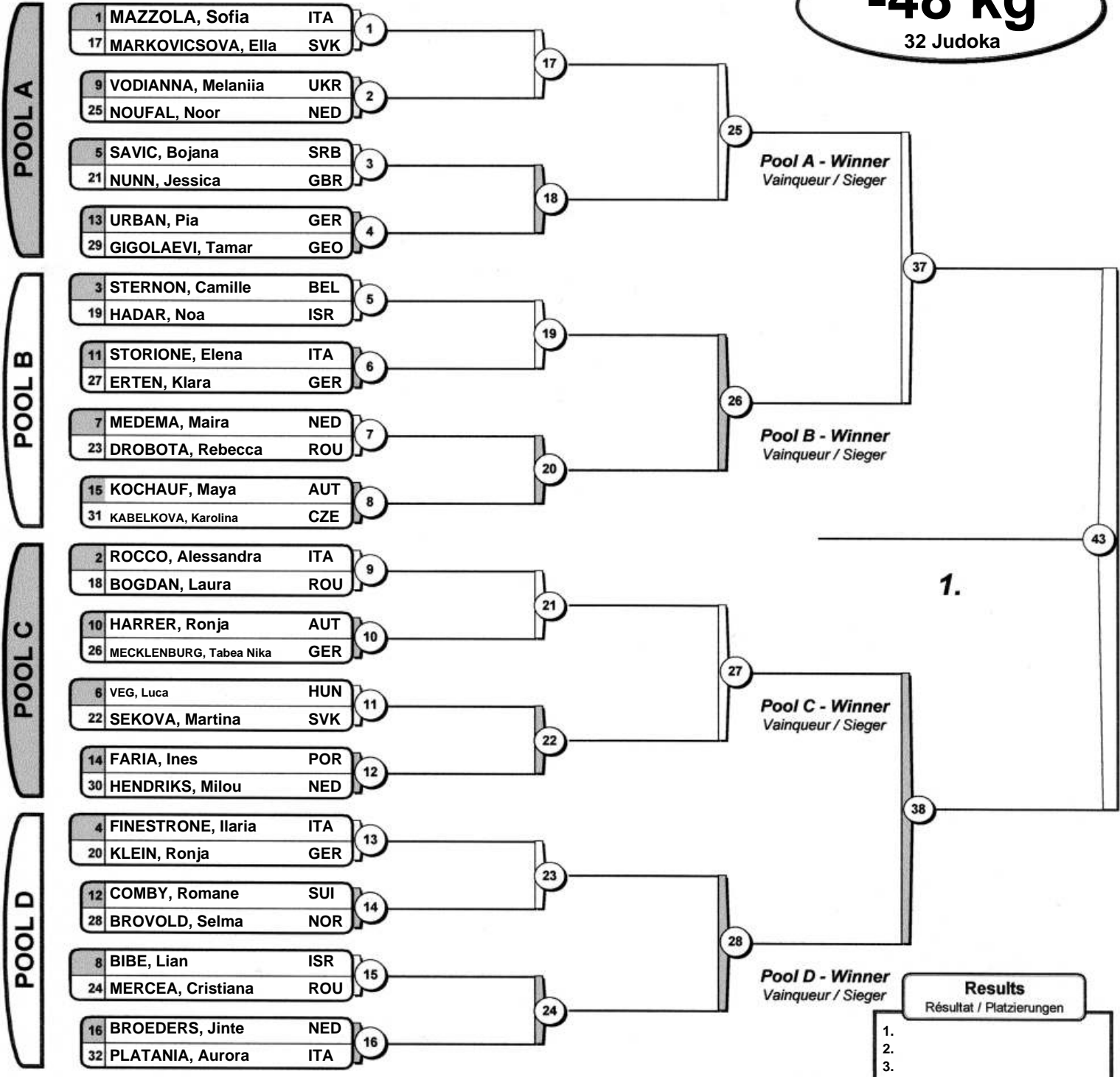


Teplice Cadet European Cup 2022

Teplice (CZE), 09-10 Apr 2022

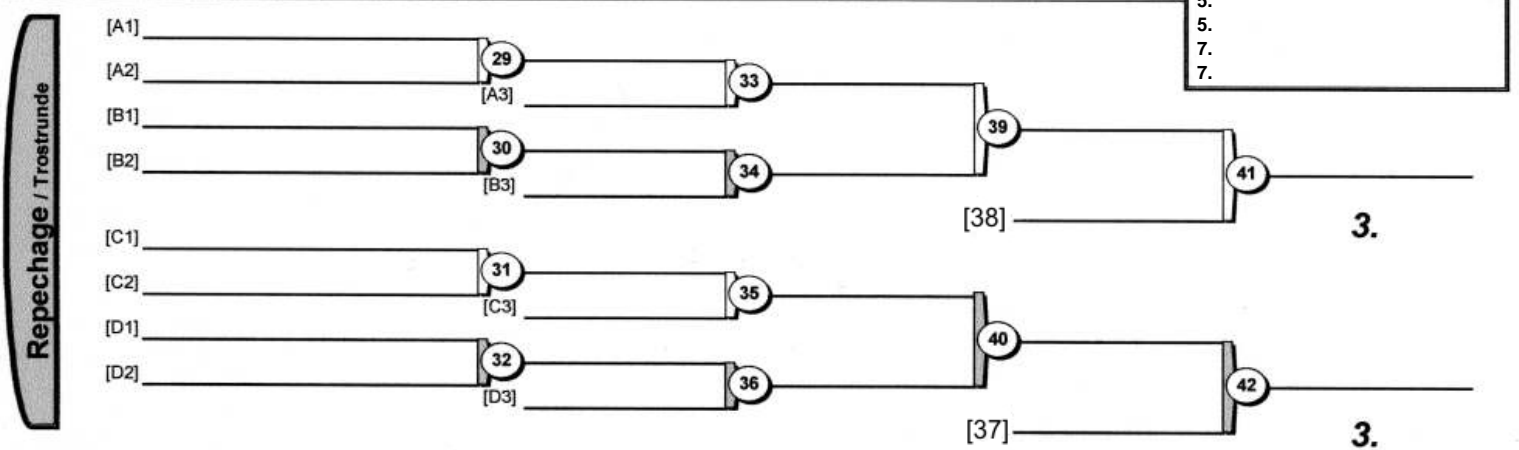
-48 kg

32 Judoka



Results
Résultat / Platzierungen

- 1.
- 2.
- 3.
- 3.
- 5.
- 5.
- 7.
- 7.



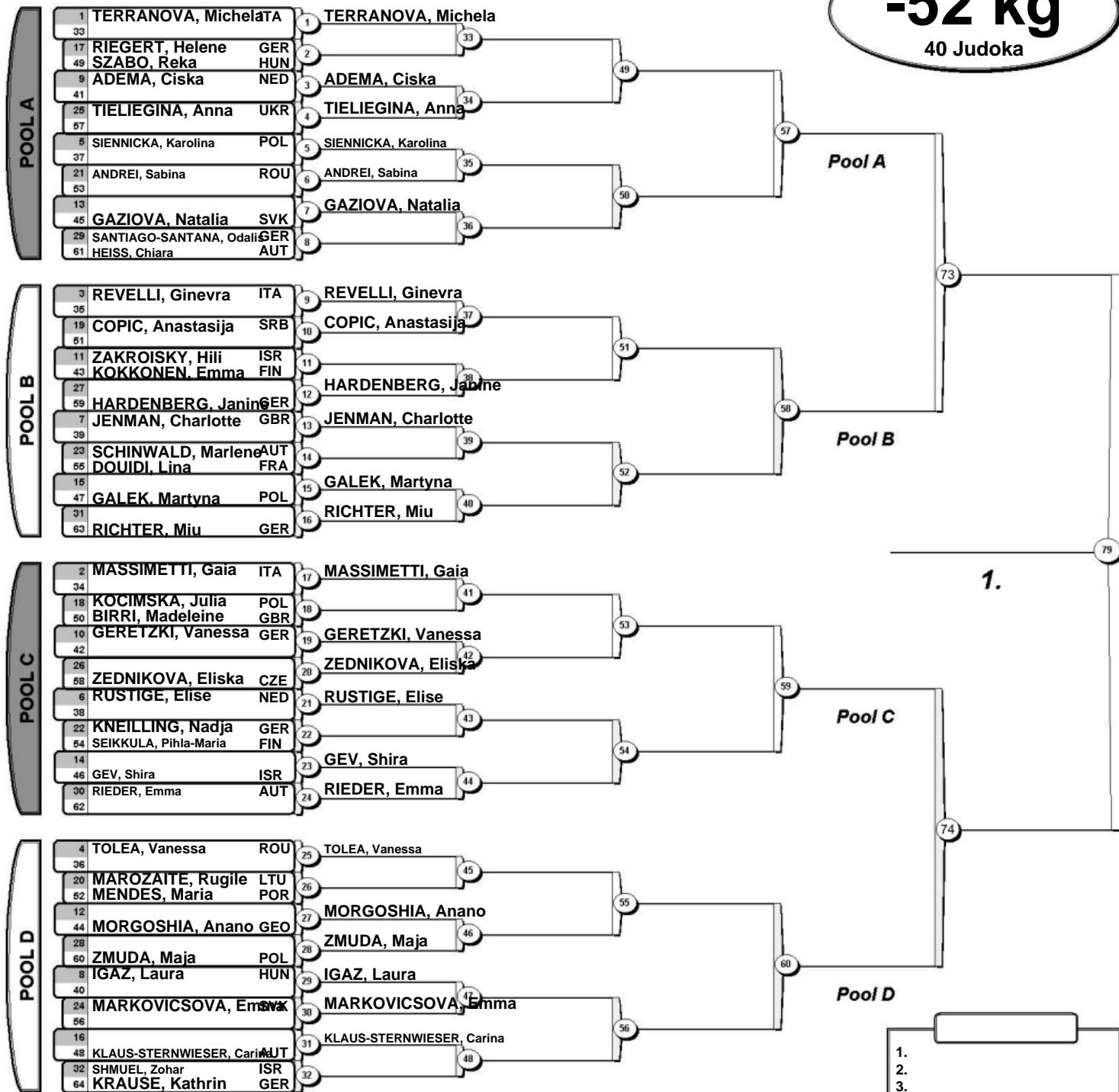


Teplice Cadet European Cup 2022

Teplice (CZE), 09-10 Apr 2022

-52 kg

40 Judoka



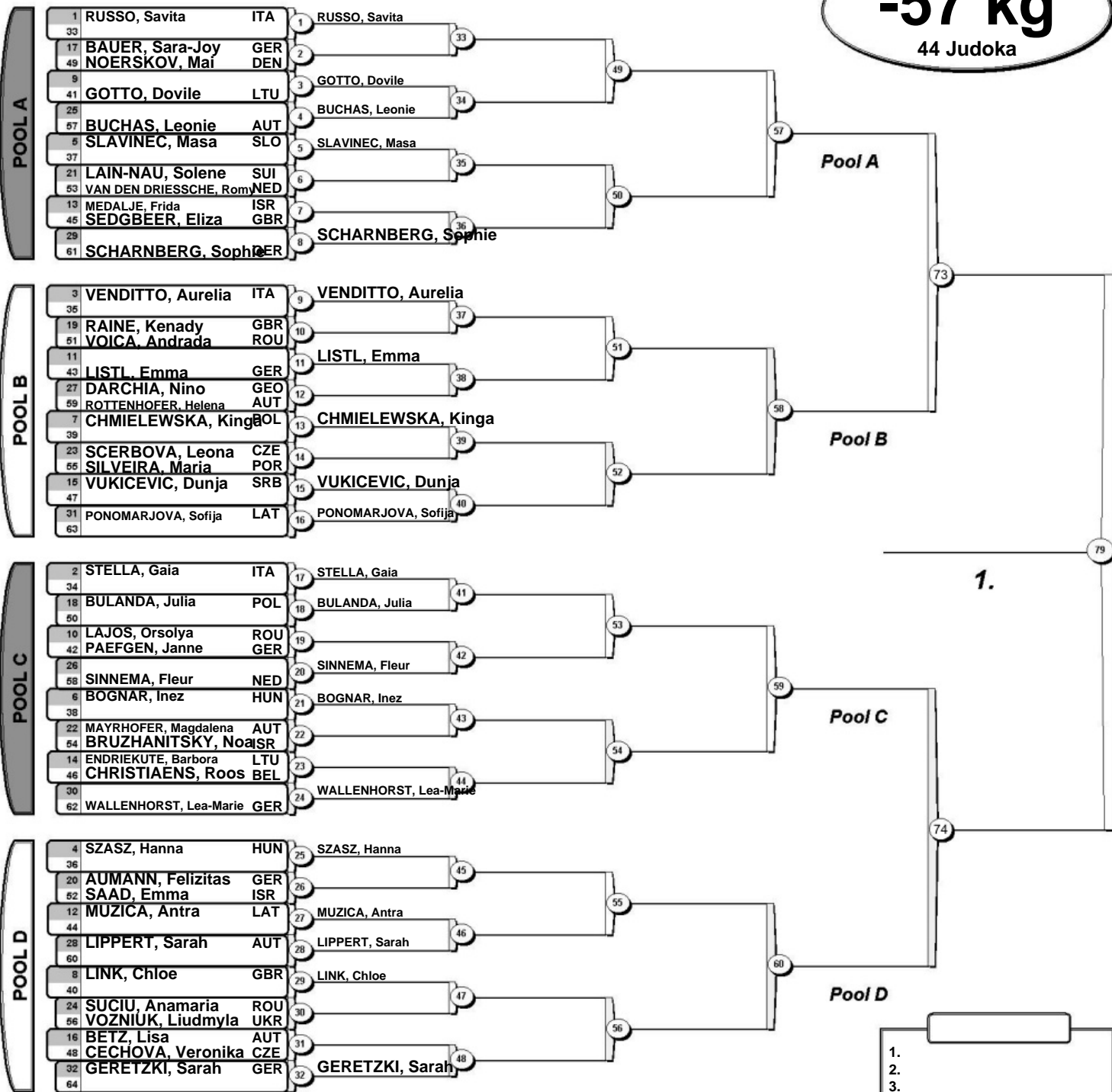


Teplice Cadet European Cup 2022

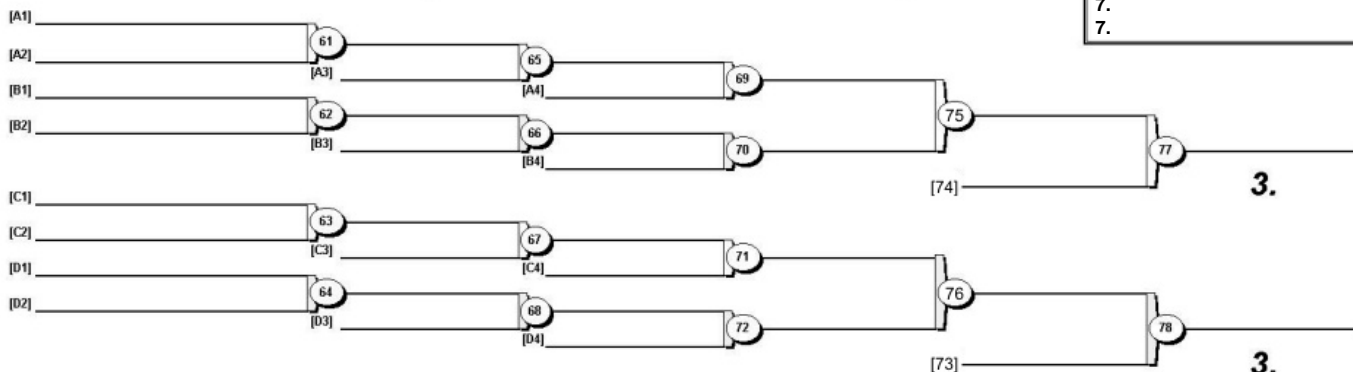
Teplice (CZE), 09-10 Apr 2022

-57 kg

44 Judoka



- 1.
- 2.
- 3.
- 3.
- 5.
- 5.
- 7.
- 7.



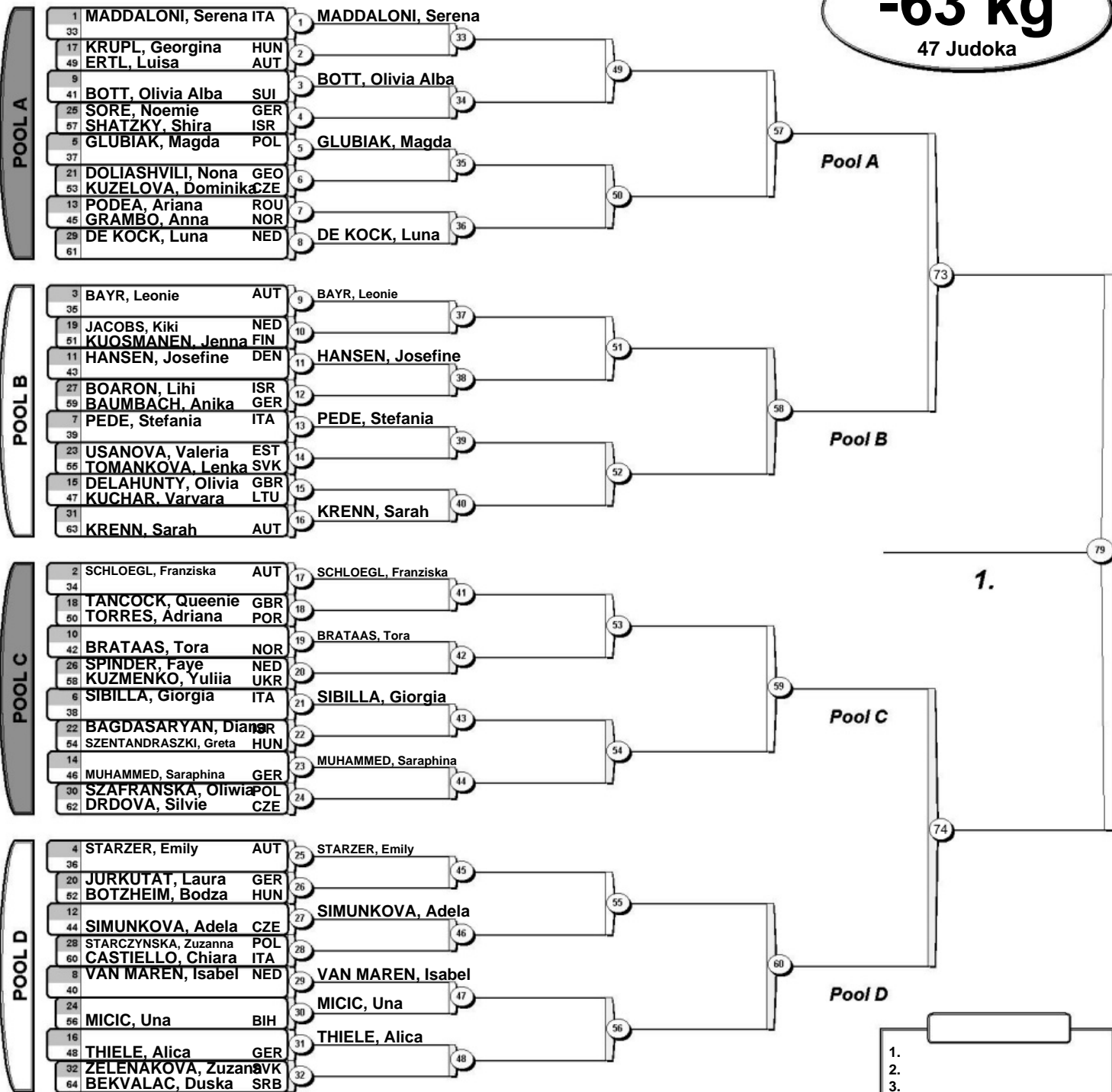


Teplice Cadet European Cup 2022

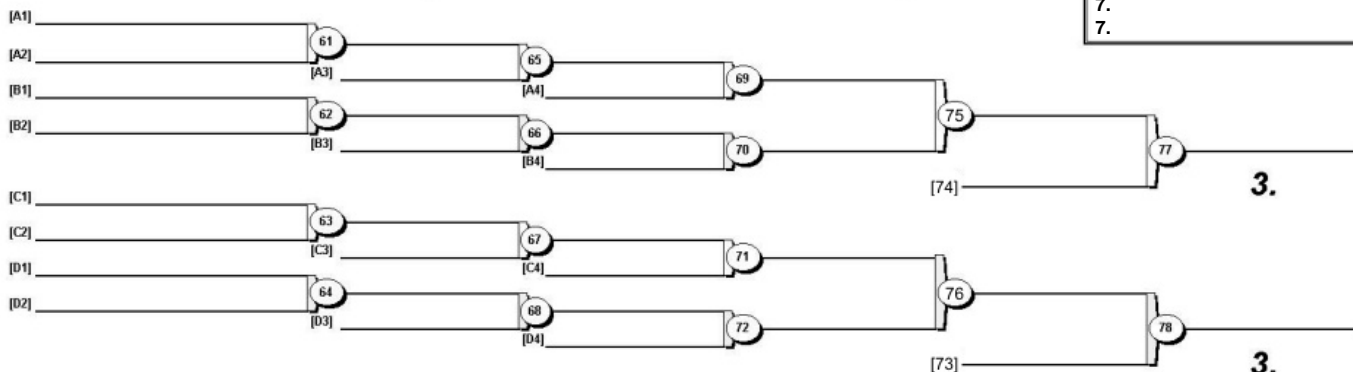
Teplice (CZE), 09-10 Apr 2022

-63 kg

47 Judoka



- 1.
- 2.
- 3.
- 3.
- 5.
- 7.
- 7.





Teplice Cadet European Cup 2022

Teplice (CZE), 09-10 Apr 2022

-70 kg

24 Judoka

POOL A

1 HOJDAROVA, Stepanka CZE 1 HOJDAROVA, S. (CZE)
17

9 VAN LIJF, Xanne NED 2
25 USURELU, Alexia ROU

5 SKVARENINOVA, Natalia SVK 3 SKVARENINOVA, N. (SVK)
21

13 MARCZAK, Julia GBR 4
29 MENGIA, Aurora ITA

Pool A - Winner
Vainqueur / Sieger

POOL B

3 FOHOOU, April Lynn SUI 5 FOHOOU, A. (SUI)
19

11 DE BOCK, Daphne BEL 6
27 RAKALOVICIUTE, Ieva LTU

7 GIUSTI, Eleonora ITA 7 GIUSTI, Eleonora (ITA)
23

15 ABBoud HERBERT, Luna GER 8
31 TCHUMAMO, Emeraude FRA

Pool B - Winner
Vainqueur / Sieger

POOL C

2 ONDEI, Serena ITA 9 ONDEI, Serena (ITA)
18

10 KROUZKOVA, Anna CZE 10
26 SHERBAKOV, Eva ISR

6 WOOD, Nicole GBR 11 WOOD, Nicole (GBR)
22

14 VANDERHEYDEN, Lieve NED 12
30 BALOGH, Hanna ROU

Pool C - Winner
Vainqueur / Sieger

POOL D

4 DARBES-TAKAM, Teophila FRA 13 DARBES-TAKAM, T. (FRA)
20

12 DEL DUCA, Elisa ITA 14
28 MOLLINK, Mirthe NED

8 PAJIC, Sofija BIH 15 PAJIC, Sofija (BIH)
24

16 HANSCHMANN, Tanja GER 16
32 KVARTSKHAVA, Lizi GEO

Pool D - Winner
Vainqueur / Sieger

1.

43

38

Results
Résultat / Platzierungen

- 1.
- 2.
- 3.
- 3.
- 5.
- 5.
- 7.
- 7.

Repechage / Trostrunde

[A1] _____ 29 _____ 33
[A2] _____ [A3]

[B1] _____ 30 _____ 34
[B2] _____ [B3]

[38]

3.

[C1] _____ 31 _____ 35
[C2] _____ [C3]

[D1] _____ 32 _____ 36
[D2] _____ [D3]

[37]

3.



Teplice Cadet European Cup 2022

Teplice (CZE), 09-10 Apr 2022

+70 kg

15 Judoka

