

# MVC Poprad 19.10.2019 U9-20

## Competitors

Competitors: 2

| # | Name          | Club         | 1 | 2  | 1  | 2 | 1  | 2 | Wins | Pts | Pos |
|---|---------------|--------------|---|----|----|---|----|---|------|-----|-----|
| 1 | PRAMUKA Rodan | SVK/DKSNV    |   | 10 |    |   |    |   | 1    | 10  | 2   |
| 2 | PALOČKO Marek | SVK/JKKECCPP |   |    | 10 |   | 10 |   | 2    | 20  | 1   |

## Matches

| Match | White         |   |   | Blue          | Result | Time |
|-------|---------------|---|---|---------------|--------|------|
| 1     | PRAMUKA Rodan | 1 | 2 | PALOČKO Marek | 10-00  | 0:09 |
| 2     | PRAMUKA Rodan | 1 | 2 | PALOČKO Marek | 00-10  | 0:31 |
| 3     | PRAMUKA Rodan | 1 | 2 | PALOČKO Marek | 00-10  | 0:07 |

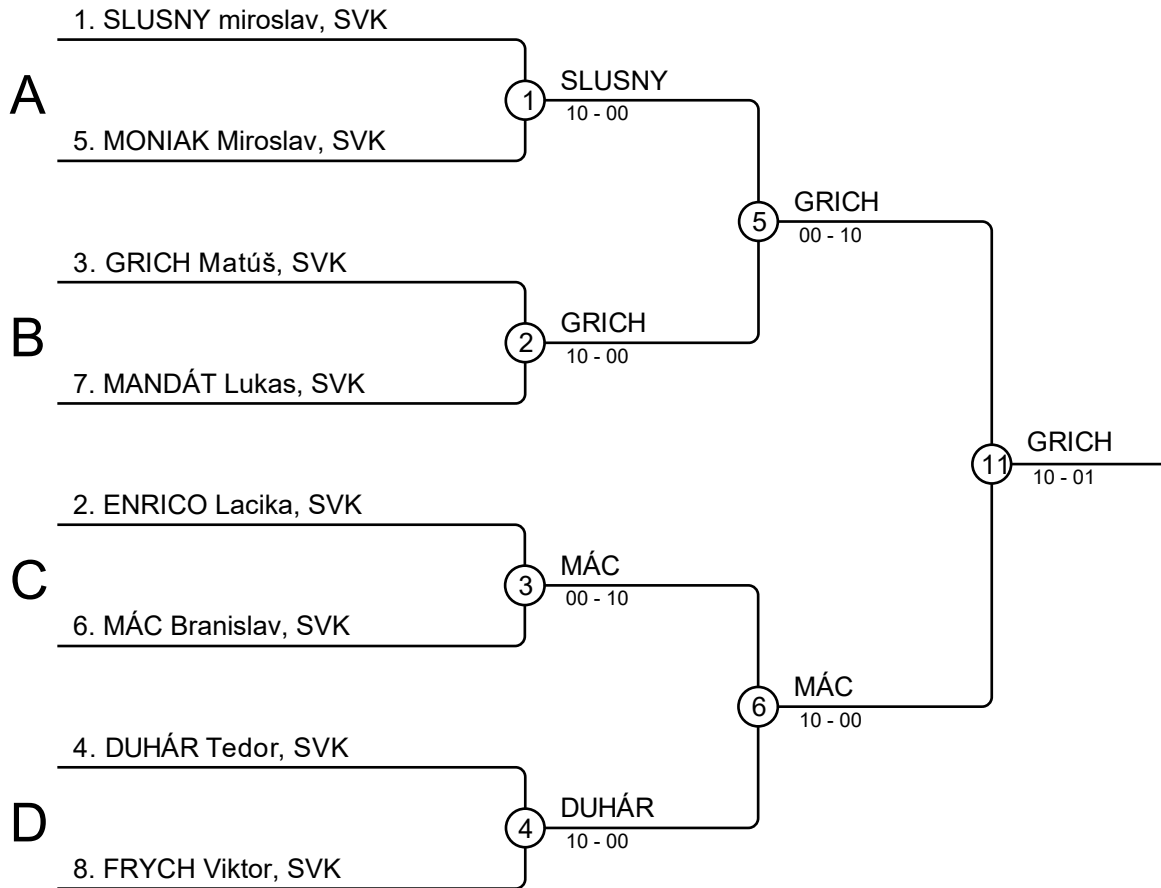
## Results

| Pos | Name                        |
|-----|-----------------------------|
| 1   | PALOČKO Marek, SVK/JKKECCPP |
| 2   | PRAMUKA Rodan, SVK/DKSNV    |

# MVC Poprad 19.10.2019

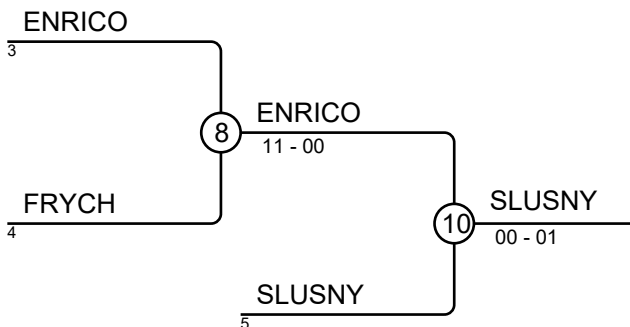
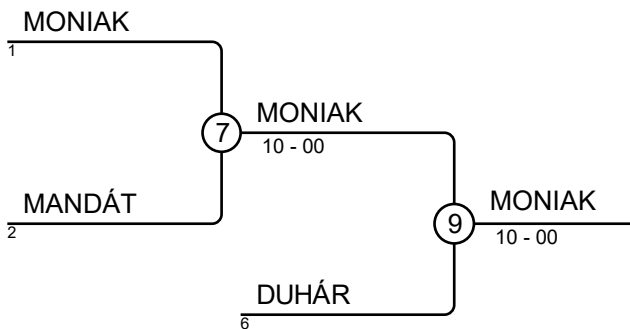
# U9-22

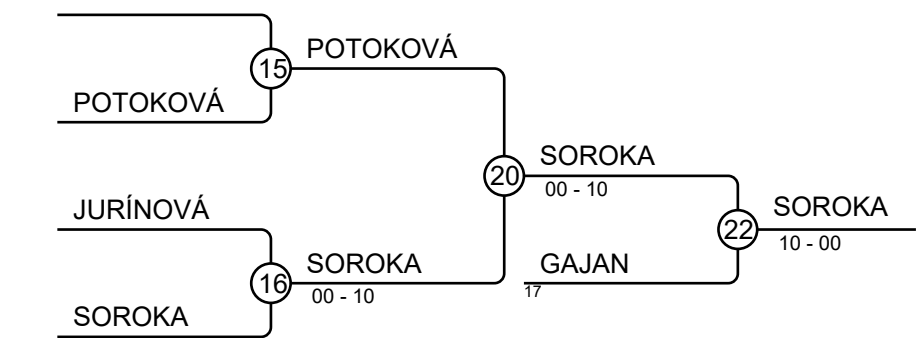
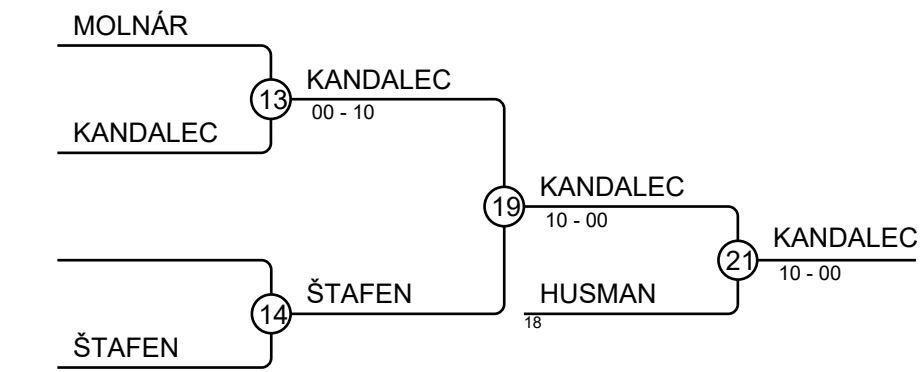
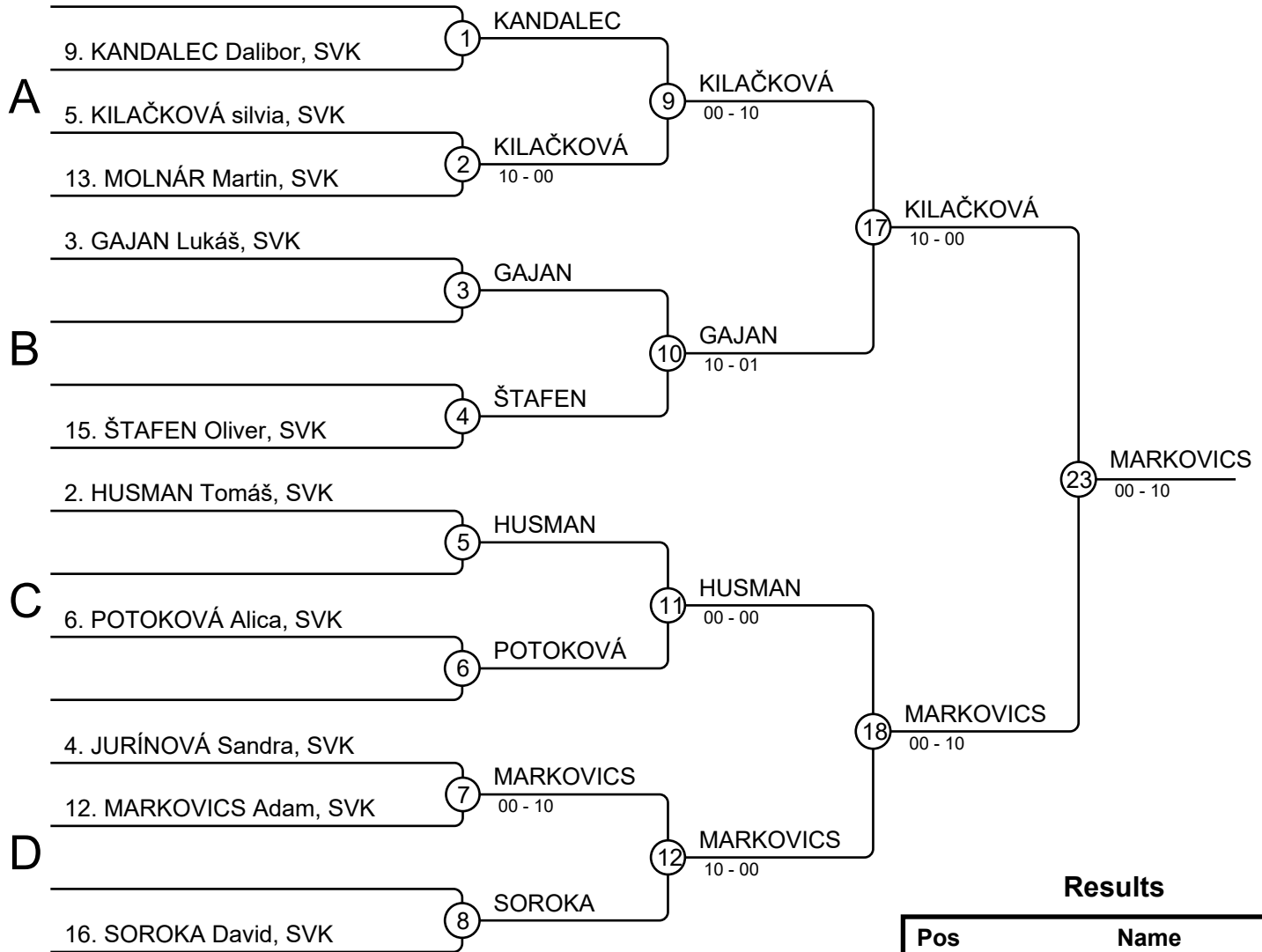
Competitors: 8



## Results

| Pos | Name                          |
|-----|-------------------------------|
| 1   | GRICH Matúš, SVK/SKM          |
| 2   | MÁC Branislav, SVK/JCZTSMT    |
| 3   | MONIAK Miroslav, SVK/TJSOK PD |
| 3   | SLUSNY miroslav, SVK/JKLV     |
| 5   | DUHÁR Tedor, SVK/ZTSDnV       |
| 5   | ENRICO Lacika, SVK/JKKECCPP   |
| 7   | MANDÁT Lukas, SVK/JCZTSMT     |
| 7   | FRYCH Viktor, SVK/SKKR        |





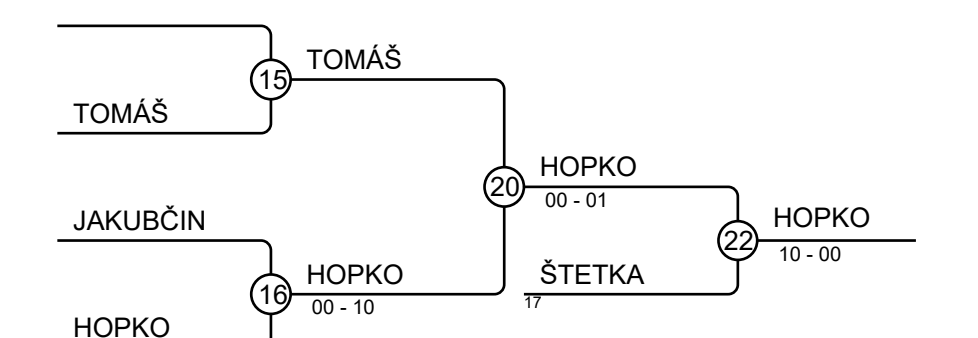
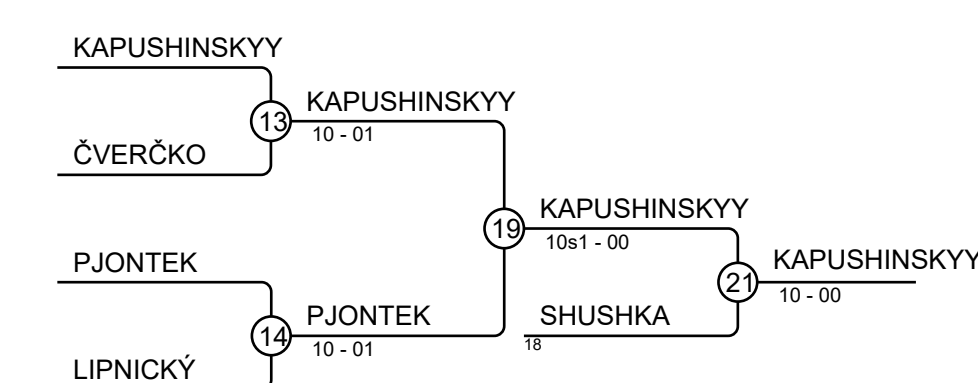
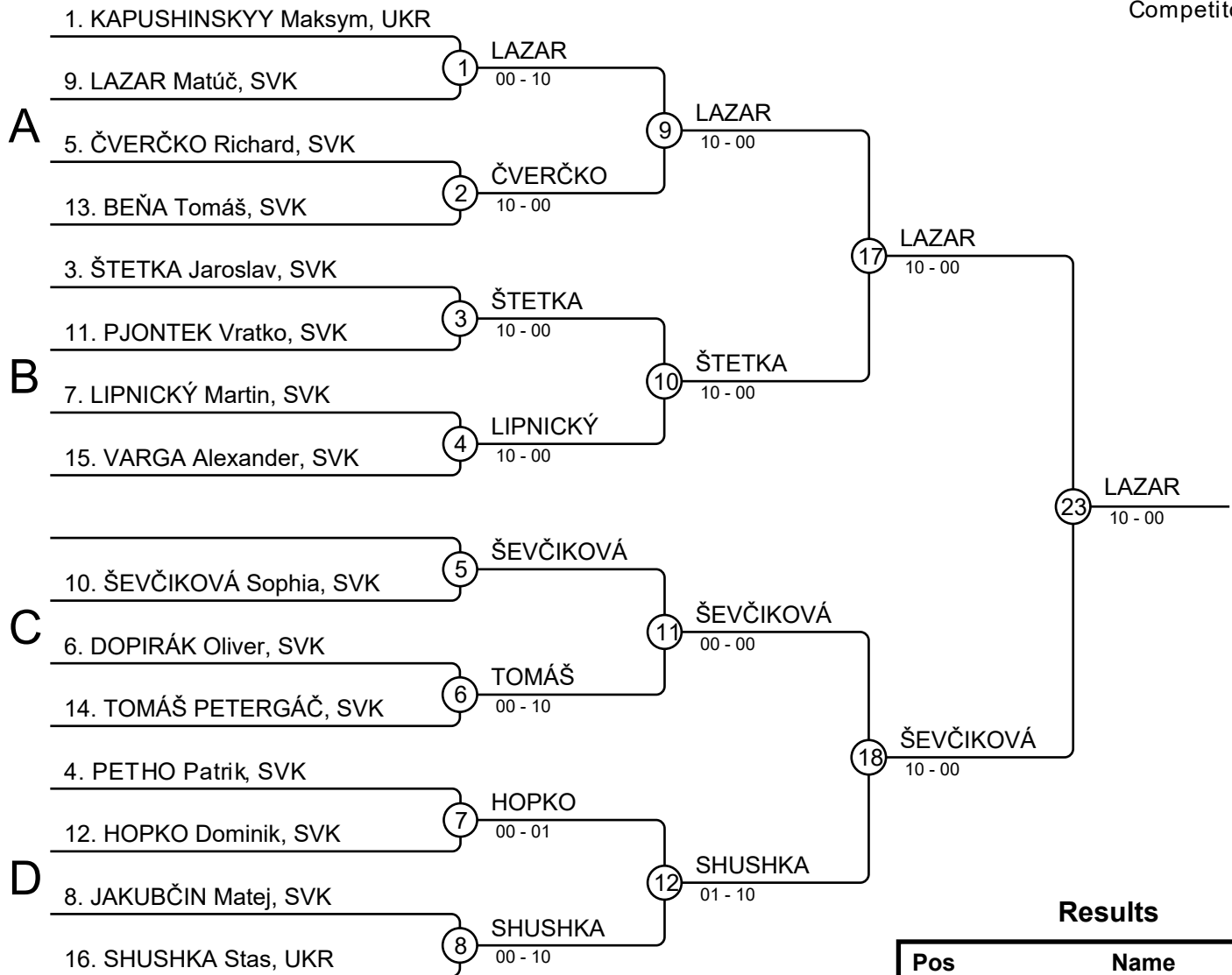
## Results

| Pos | Name                           |
|-----|--------------------------------|
| 1   | MARKOVICS Adam, SVK/JCPK       |
| 2   | KILAČKOVÁ silvia, SVK/JKKATLC  |
| 3   | KANDALEC Dalibor, SVK/JTATSVIT |
| 3   | SOROKA David, SVK/JCBB         |
| 5   | HUSMAN Tomáš, SVK/TJMRS        |
| 5   | GAJAN Lukáš, SVK/TJMLPP        |
| 7   | ŠTAFEN Oliver, SVK/JCBB        |
| 7   | POTOKOVÁ Alica, SVK/DKSNV      |

# MVC Poprad 19.10.2019

# U9-27

Competitors: 15



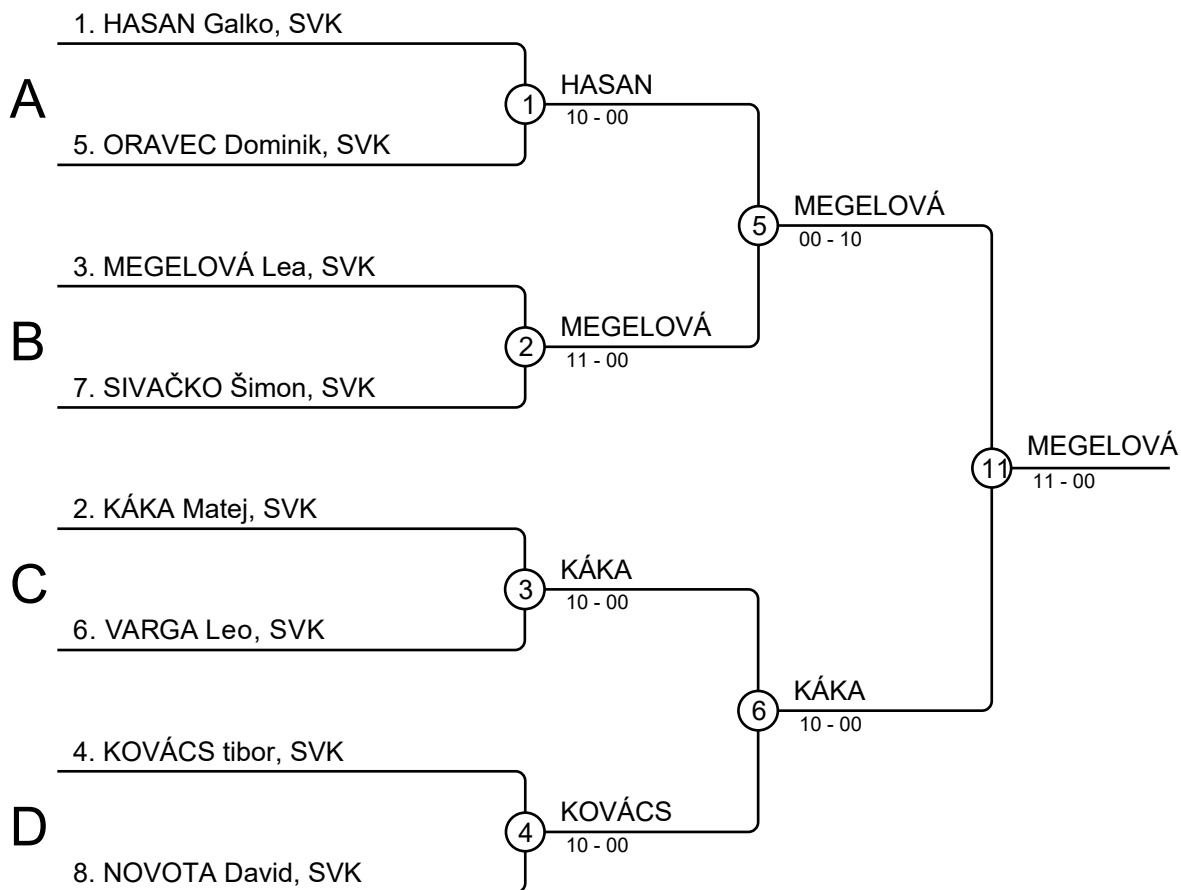
## Results

| Pos | Name                             |
|-----|----------------------------------|
| 1   | LAZAR Matúč, SVK/JCZTSMT         |
| 2   | ŠEVČIKOVÁ Sophia, SVK/TJSV RUT   |
| 3   | KAPUSHINSKY Maksym, UKR/UZHGOROD |
| 3   | HOPKO Dominik, SVK/SKM           |
| 5   | SHUSHKA Stas, UKR/UZHGOROD       |
| 5   | ŠTETKA Jaroslav, SVK/JUNLC       |
| 7   | PJONTEK Vratko, SVK/DKSNV        |
| 7   | TOMÁŠ PETERGÁČ, SVK/JCRV         |

# MVC Poprad 19.10.2019

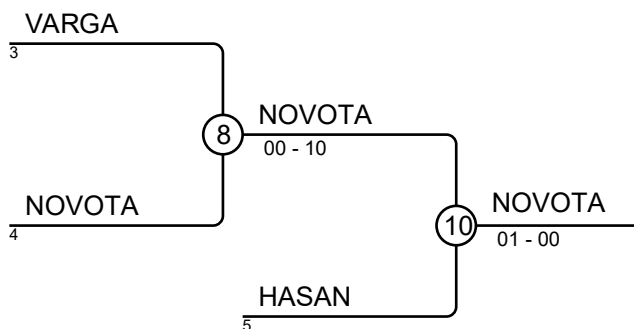
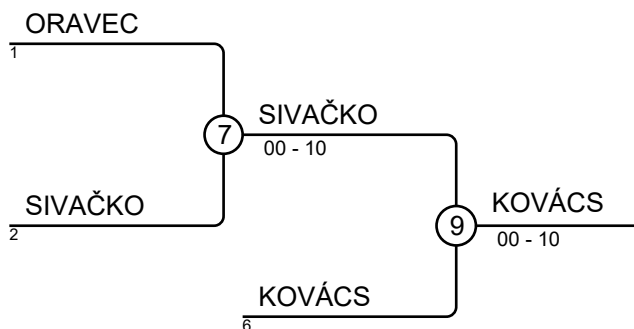
# U9-30

Competitors: 8



## Results

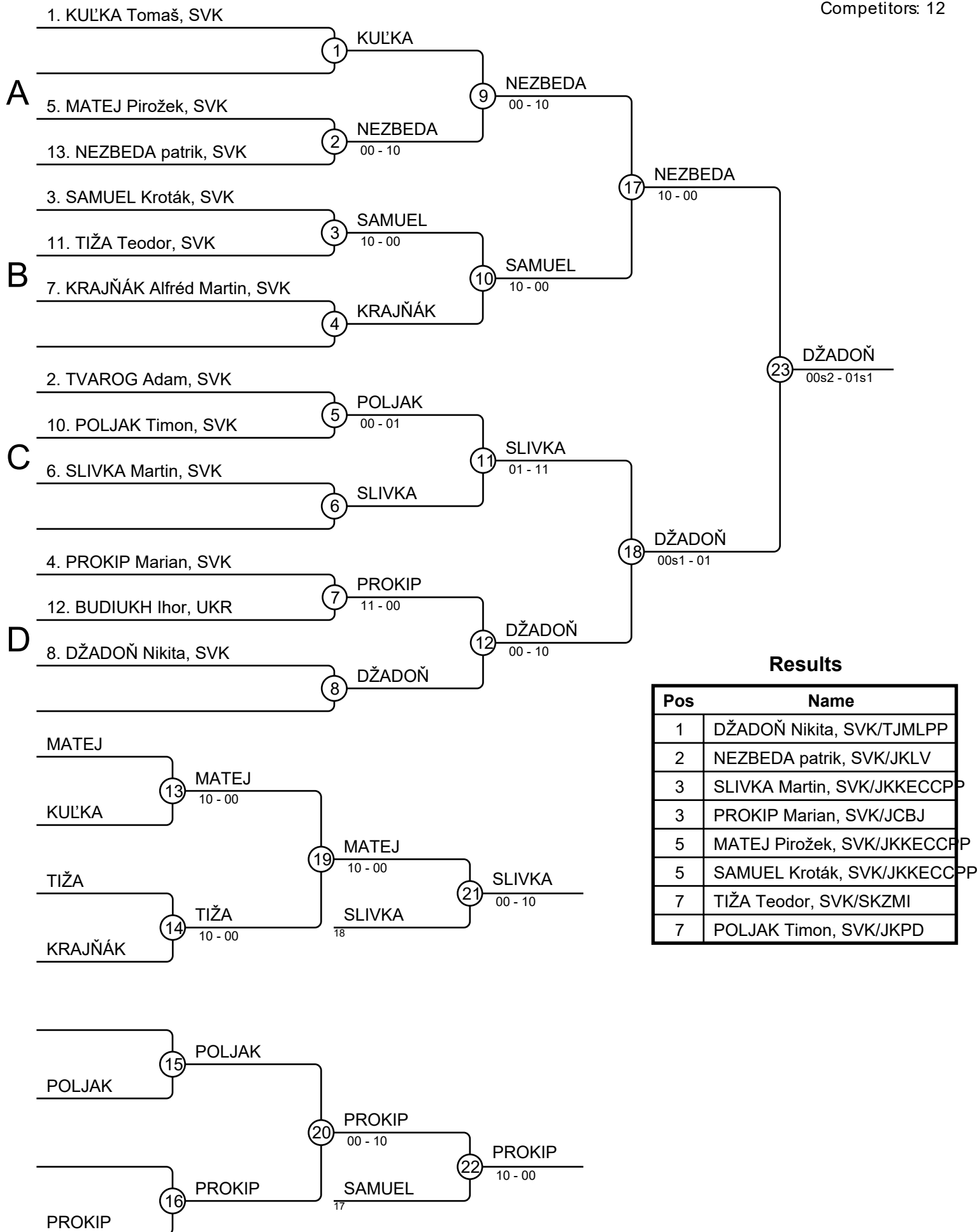
| Pos | Name                        |
|-----|-----------------------------|
| 1   | MEGELLOVÁ Lea, SVK/TJMRS    |
| 2   | KÁKA Matej, SVK/JUNLC       |
| 3   | KOVÁCS tabor, SVK/JKPP      |
| 3   | NOVOTA David, SVK/ACUNIZA   |
| 5   | SIVAČKO Šimon, SVK/DKSNV    |
| 5   | HASAN Galko, SVK/JKKECCPP   |
| 7   | ORAVEC Dominik, SVK/TJSVRUT |
| 7   | VARGA Leo, SVK/JKKECCPP     |

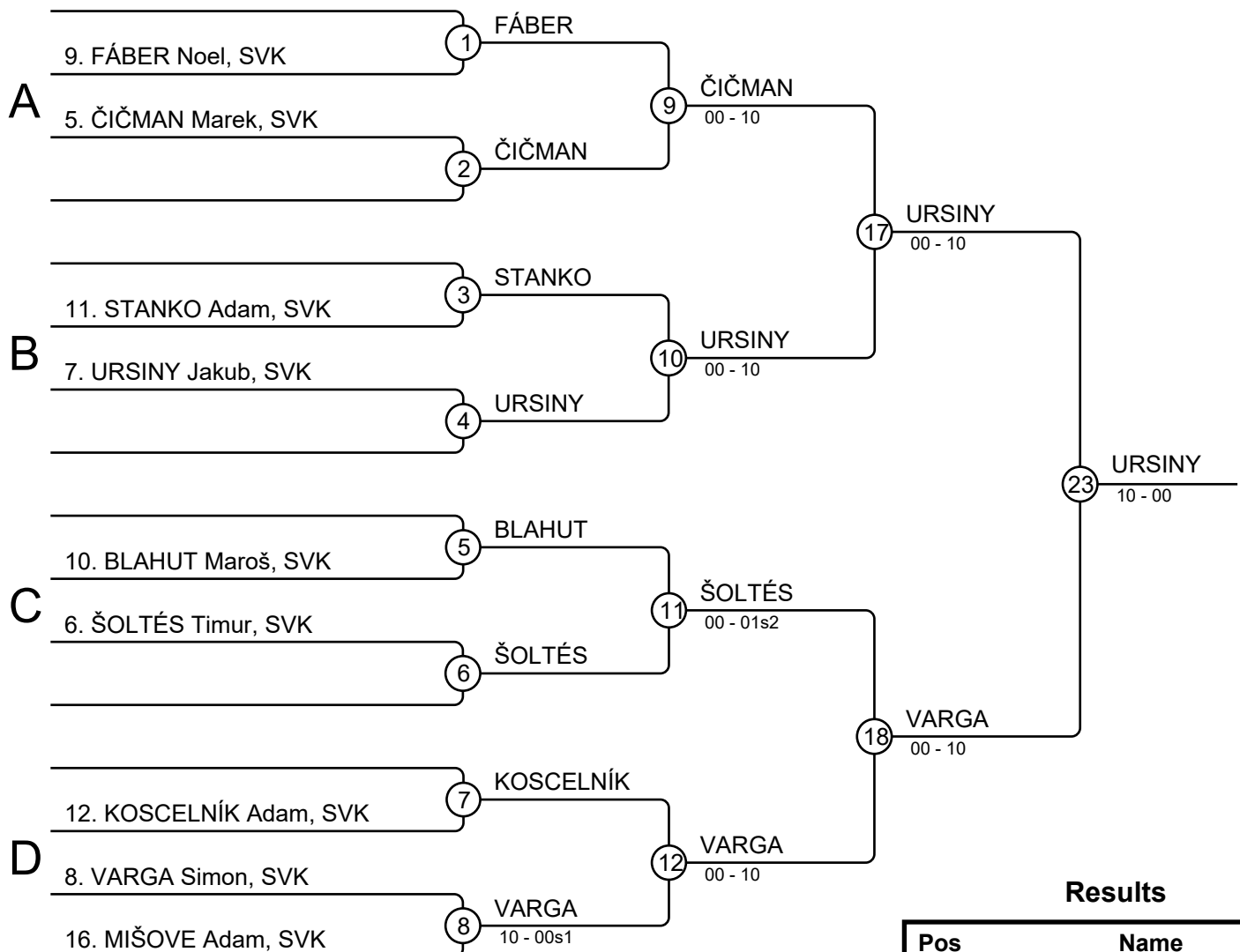


# MVC Poprad 19.10.2019

# U9-34

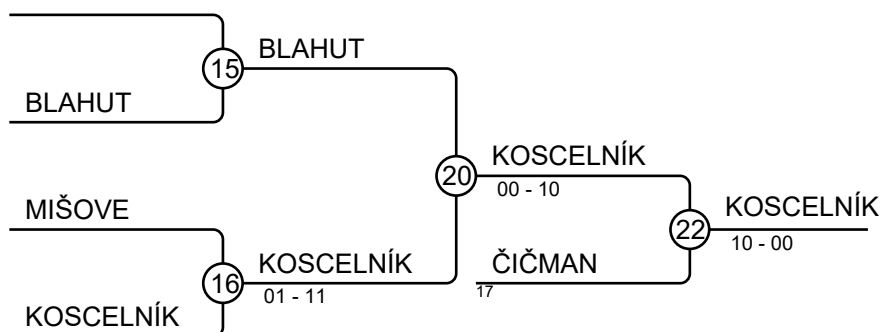
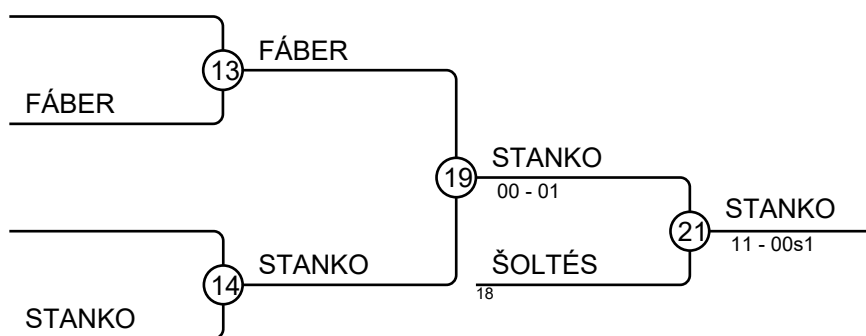
Competitors: 12





## Results

| Pos | Name                       |
|-----|----------------------------|
| 1   | URSINY Jakub, SVK/TJSVRUT  |
| 2   | VARGA Simon, SVK/JKSOB     |
| 3   | STANKO Adam, SVK/DKSNV     |
| 3   | KOSCELNÍK Adam, SVK/SKM    |
| 5   | ŠOLTÉS Timur, SVK/JKKECCFP |
| 5   | ČIČMAN Marek, SVK/ACUNIZA  |
| 7   | FÁBER Noel, SVK/JKKECCPP   |
| 7   | BLAHUT Maroš, SVK/DKSNV    |



# MVC Poprad 19.10.2019 U9-42

## Competitors

Competitors: 1

| # | Name         | Club      | 1 | Wins | Pts | Pos |
|---|--------------|-----------|---|------|-----|-----|
| 1 | BARTOŠ Matúš | SVK/DKSNV |   | 0    | 0   | 1   |

## Matches

| Match | White | Blue | Result | Time |
|-------|-------|------|--------|------|
|-------|-------|------|--------|------|

## Results

| Pos | Name                    |
|-----|-------------------------|
| 1   | BARTOŠ Matúš, SVK/DKSNV |



# MVC Poprad 19.10.2019 U9+46

## Competitors

Competitors: 2

| # | Name         | Club        | 1 | 2  | 1 | 2  | 1 | 2 | Wins | Pts | Pos |
|---|--------------|-------------|---|----|---|----|---|---|------|-----|-----|
| 1 | FEDOR Patrik | SVK/TJSVRUT |   | 10 |   | 10 |   |   | 2    | 20  | 1   |
| 2 | BEŇO Daniel  | SVK/TJSOKPD |   |    |   |    |   |   | 0    | 0   | 2   |

## Matches

| Match | White        |   |   | Blue        | Result | Time |
|-------|--------------|---|---|-------------|--------|------|
| 1     | FEDOR Patrik | 1 | 2 | BEŇO Daniel | 10-00  | 0:00 |
| 2     | FEDOR Patrik | 1 | 2 | BEŇO Daniel | 10-00  | 0:40 |
| 3     | FEDOR Patrik | 1 | 2 | BEŇO Daniel |        |      |

## Results

| Pos | Name                      |
|-----|---------------------------|
| 1   | FEDOR Patrik, SVK/TJSVRUT |
| 2   | BEŇO Daniel, SVK/TJSOKPD  |

# MVC Poprad 19.10.2019 WU11-28

## Competitors

Competitors: 4

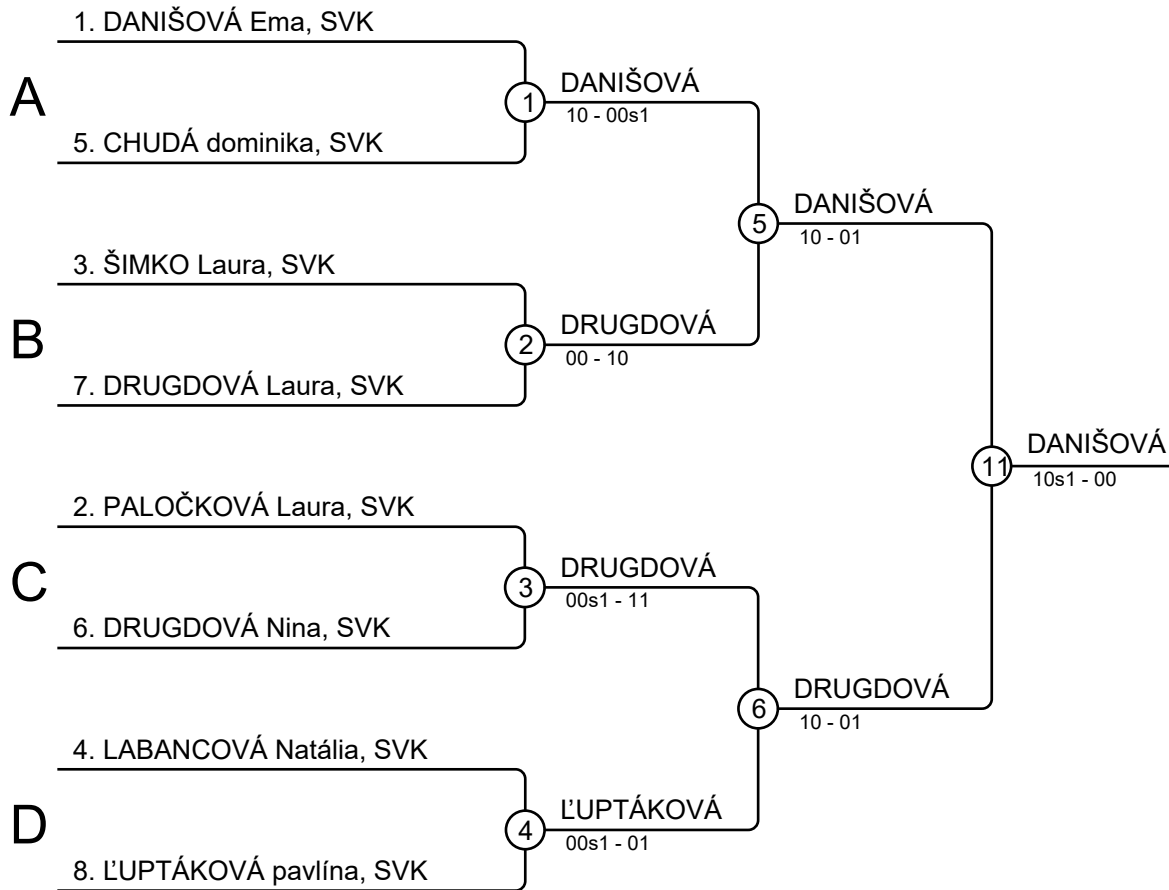
| # | Name              | Club        | 1 | 2  | 3  | 4  | Wins | Pts | Pos |
|---|-------------------|-------------|---|----|----|----|------|-----|-----|
| 1 | VRBOVSKÁ Laura    | SVK/SKUMBBB |   | 10 | 10 | 10 | 3    | 30  | 1   |
| 2 | OČKOVÁ Laura      | SVK/JCZTSMT |   |    | 10 |    | 1    | 10  | 3   |
| 3 | VIŠŇOVSKÁ Zuzana  | SVK/MŠKVnT  |   |    |    |    | 0    | 0   | 4   |
| 4 | SOROKOVA Kristina | SVK/JCBJ    |   | 1  | 10 |    | 2    | 11  | 2   |

## Matches

| Match | White            |   |   | Blue              | Result  | Time |
|-------|------------------|---|---|-------------------|---------|------|
| 1     | VRBOVSKÁ Laura   | 1 | 2 | OČKOVÁ Laura      | 11-00   | 1:14 |
| 2     | VIŠŇOVSKÁ Zuzana | 3 | 4 | SOROKOVA Kristina | 00-10   | 0:07 |
| 3     | VRBOVSKÁ Laura   | 1 | 3 | VIŠŇOVSKÁ Zuzana  | 10-00   | 0:19 |
| 4     | OČKOVÁ Laura     | 2 | 4 | SOROKOVA Kristina | 00s1-00 | 2:00 |
| 5     | VRBOVSKÁ Laura   | 1 | 4 | SOROKOVA Kristina | 10-00   | 0:08 |
| 6     | OČKOVÁ Laura     | 2 | 3 | VIŠŇOVSKÁ Zuzana  | 10-00   | 1:31 |

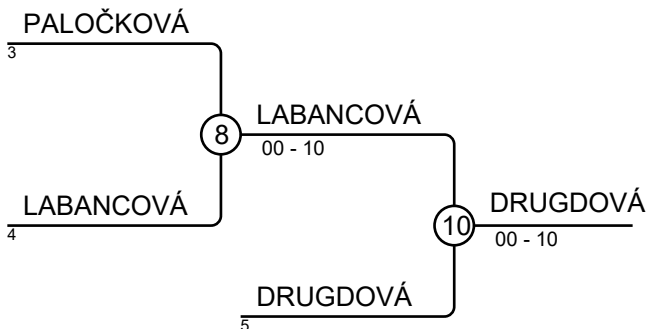
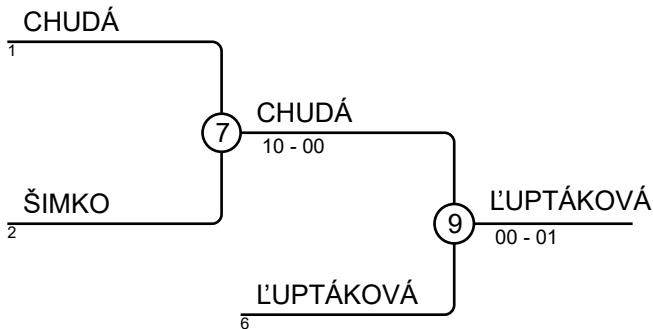
## Results

| Pos | Name                         |
|-----|------------------------------|
| 1   | VRBOVSKÁ Laura, SVK/SKUMBBB  |
| 2   | SOROKOVA Kristina, SVK/JCBJ  |
| 3   | OČKOVÁ Laura, SVK/JCZTSMT    |
| 4   | VIŠŇOVSKÁ Zuzana, SVK/MŠKVnT |



## Results

| Pos | Name                           |
|-----|--------------------------------|
| 1   | DANIŠOVÁ Ema, SVK/JUNLC        |
| 2   | DRUGDOVÁ Nina, SVK/JUNLC       |
| 3   | ĽUPTÁKOVÁ pavlína, SVK/JKKATLC |
| 3   | DRUGDOVÁ Laura, SVK/JUNLC      |
| 5   | CHUDÁ dominika, SVK/JKKATLC    |
| 5   | LABANCOVÁ Natália, SVK/SKZMI   |
| 7   | ŠIMKO Laura, SVK/JCRV          |
| 7   | PALOČKOVÁ Laura, SVK/JKKECCP   |



**MVC Poprad 19.10.2019 WU11-36****Competitors**

Competitors: 5

| # | Name                | Club        | 1 | 2  | 3  | 4  | 5 | Wins | Pts | Pos |
|---|---------------------|-------------|---|----|----|----|---|------|-----|-----|
| 1 | NOVOTNÁ Radoslava   | SVK/TJMLPP  |   | 10 | 10 | 10 |   | 3    | 30  | 2   |
| 2 | LEA BOLTVANOVÁ      | SVK/JCRV    |   |    |    | 10 |   | 1    | 10  | 4   |
| 3 | MILOVÁ Natália      | SVK/TJMLZA  |   | 10 |    |    |   | 1    | 10  | 5   |
| 4 | OZSVALDOVÁ Michaela | SVK/SLAZUZA |   |    | 10 |    |   | 1    | 10  | 3   |
| 5 | LEHOTKAIOVÁ zuzana  | SVK/JKLV    | 1 | 10 | 10 | 10 |   | 4    | 31  | 1   |

**Matches**

| Match | White               |   | Blue |                     | Result    | Time |
|-------|---------------------|---|------|---------------------|-----------|------|
| 1     | OZSVALDOVÁ Michaela | 4 | 5    | LEHOTKAIOVÁ zuzana  | 00-10     | 0:19 |
| 2     | NOVOTNÁ Radoslava   | 1 | 2    | LEA BOLTVANOVÁ      | 10-00s1   | 1:45 |
| 3     | MILOVÁ Natália      | 3 | 4    | OZSVALDOVÁ Michaela | 00-10     | 0:28 |
| 4     | NOVOTNÁ Radoslava   | 1 | 5    | LEHOTKAIOVÁ zuzana  | 00s1-01s1 | 2:14 |
| 5     | LEA BOLTVANOVÁ      | 2 | 3    | MILOVÁ Natália      | 00-10     | 0:33 |
| 6     | NOVOTNÁ Radoslava   | 1 | 4    | OZSVALDOVÁ Michaela | 10-00     | 0:43 |
| 7     | MILOVÁ Natália      | 3 | 5    | LEHOTKAIOVÁ zuzana  | 00-10     | 0:48 |
| 8     | LEA BOLTVANOVÁ      | 2 | 4    | OZSVALDOVÁ Michaela | 10-00     | 0:08 |
| 9     | NOVOTNÁ Radoslava   | 1 | 3    | MILOVÁ Natália      | 10-00     | 0:33 |
| 10    | LEA BOLTVANOVÁ      | 2 | 5    | LEHOTKAIOVÁ zuzana  | 00-10     | 0:19 |

**Results**

| Pos | Name                             |
|-----|----------------------------------|
| 1   | LEHOTKAIOVÁ zuzana, SVK/JKLV     |
| 2   | NOVOTNÁ Radoslava, SVK/TJMLPP    |
| 3   | OZSVALDOVÁ Michaela, SVK/SLAZUZA |
| 4   | LEA BOLTVANOVÁ, SVK/JCRV         |
| 5   | MILOVÁ Natália, SVK/TJMLZA       |

# MVC Poprad 19.10.2019 WU11-40

## Competitors

Competitors: 2

| # | Name              | Club        | 1 | 2 | 1 | 2  | 1  | 2 | Wins | Pts | Pos |
|---|-------------------|-------------|---|---|---|----|----|---|------|-----|-----|
| 1 | GURČÍKOVÁ Barbora | SVK/DKSNV   |   |   |   | 10 |    |   | 1    | 10  | 2   |
| 2 | LAUKOVÁ Romana    | SVK/SKUMBBB | 1 |   |   |    | 10 |   | 2    | 11  | 1   |

## Matches

| Match | White             |   |   | Blue           | Result  | Time |
|-------|-------------------|---|---|----------------|---------|------|
| 1     | GURČÍKOVÁ Barbora | 1 | 2 | LAUKOVÁ Romana | 01s1-01 | 4:00 |
| 2     | GURČÍKOVÁ Barbora | 1 | 2 | LAUKOVÁ Romana | 10s1-00 | 1:56 |
| 3     | GURČÍKOVÁ Barbora | 1 | 2 | LAUKOVÁ Romana | 00-10   | 0:25 |

## Results

| Pos | Name                         |
|-----|------------------------------|
| 1   | LAUKOVÁ Romana, SVK/SKUMBBB  |
| 2   | GURČÍKOVÁ Barbora, SVK/DKSNV |

# MVC Poprad 19.10.2019 WU11-44

## Competitors

Competitors: 1

| # | Name           | Club         | 1 | Wins | Pts | Pos |
|---|----------------|--------------|---|------|-----|-----|
| 1 | ŠOLTÉSOVÁ Nina | SVK/JKKECCPP |   | 0    | 0   | 1   |

## Matches

| Match | White | Blue | Result | Time |
|-------|-------|------|--------|------|
|-------|-------|------|--------|------|

## Results

| Pos | Name                         |
|-----|------------------------------|
| 1   | ŠOLTÉSOVÁ Nina, SVK/JKKECCPP |

# MVC Poprad 19.10.2019 WU11-48

## Competitors

Competitors: 2

| # | Name             | Club        | 1 | 2  | 1  | 2 | 1 | 2 | Wins | Pts | Pos |
|---|------------------|-------------|---|----|----|---|---|---|------|-----|-----|
| 1 | ŠUSTEKOVÁ Nikola | SVK/SKPBB   |   | 10 |    |   |   |   | 1    | 10  | 2   |
| 2 | RADOŠINSKÁ Karin | SVK/TJSOKPD |   |    | 10 |   | 1 |   | 2    | 11  | 1   |

## Matches

| Match | White            |   |   | Blue             | Result | Time |
|-------|------------------|---|---|------------------|--------|------|
| 1     | ŠUSTEKOVÁ Nikola | 1 | 2 | RADOŠINSKÁ Karin | 10-00  | 0:17 |
| 2     | ŠUSTEKOVÁ Nikola | 1 | 2 | RADOŠINSKÁ Karin | 00-10  | 0:48 |
| 3     | ŠUSTEKOVÁ Nikola | 1 | 2 | RADOŠINSKÁ Karin | 0-1    | 3:00 |

## Results

| Pos | Name                          |
|-----|-------------------------------|
| 1   | RADOŠINSKÁ Karin, SVK/TJSOKPD |
| 2   | ŠUSTEKOVÁ Nikola, SVK/SKPBB   |

# MVC Poprad 19.10.2019 WU11-57

## Competitors

Competitors: 1

| # | Name             | Club     | 1 | Wins | Pts | Pos |
|---|------------------|----------|---|------|-----|-----|
| 1 | ŠULANOVÁ Martina | SVK/JUKE |   | 0    | 0   | 1   |

## Matches

| Match | White | Blue | Result | Time |
|-------|-------|------|--------|------|
|-------|-------|------|--------|------|

## Results

| Pos | Name                       |
|-----|----------------------------|
| 1   | ŠULANOVÁ Martina, SVK/JUKE |



# MVC Poprad 19.10.2019 WU11+57

Competitors

Competitors: 1

| # | Name         | Club      | 1 | Wins | Pts | Pos |
|---|--------------|-----------|---|------|-----|-----|
| 1 | RÝSOVÁ Lenka | SVK/SKPBB |   | 0    | 0   | 1   |

## Matches

| Match | White | Blue | Result | Time |
|-------|-------|------|--------|------|
|-------|-------|------|--------|------|

## Results

| Pos | Name                    |
|-----|-------------------------|
| 1   | RÝSOVÁ Lenka, SVK/SKPBB |

# MVC Poprad 19.10.2019 MU11-24

## Competitors

Competitors: 2

| # | Name           | Club         | 1  | 2 | 1  | 2 | 1 | 2 | Wins | Pts | Pos |
|---|----------------|--------------|----|---|----|---|---|---|------|-----|-----|
| 1 | SZABO Juraj    | SVK/JKKECCPP |    |   |    |   |   |   | 0    | 0   | 2   |
| 2 | ZGODAVA Michal | SVK/DKSNV    | 10 |   | 10 |   |   |   | 2    | 20  | 1   |

## Matches

| Match | White       |   |   | Blue           | Result | Time |
|-------|-------------|---|---|----------------|--------|------|
| 1     | SZABO Juraj | 1 | 2 | ZGODAVA Michal | 00-10  | 0:58 |
| 2     | SZABO Juraj | 1 | 2 | ZGODAVA Michal | 00-10  | 0:42 |
| 3     | SZABO Juraj | 1 | 2 | ZGODAVA Michal |        |      |

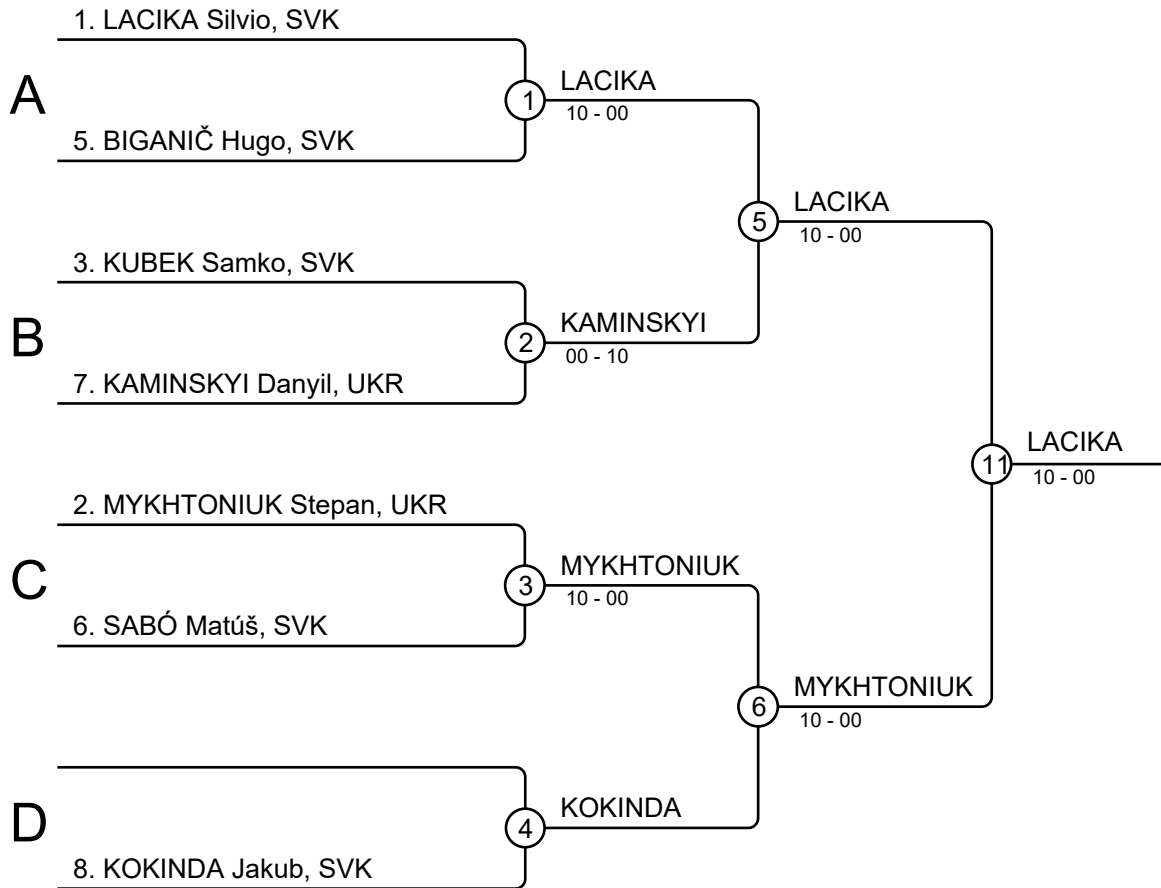
## Results

| Pos | Name                      |
|-----|---------------------------|
| 1   | ZGODAVA Michal, SVK/DKSNV |
| 2   | SZABO Juraj, SVK/JKKECCPP |

# MVC Poprad 19.10.2019

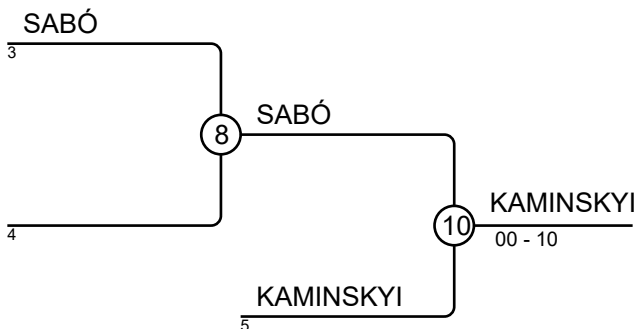
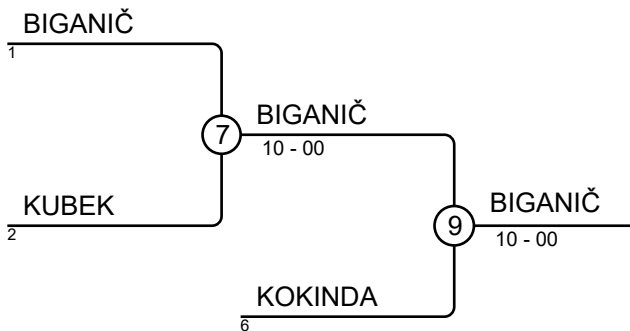
# MU11-27

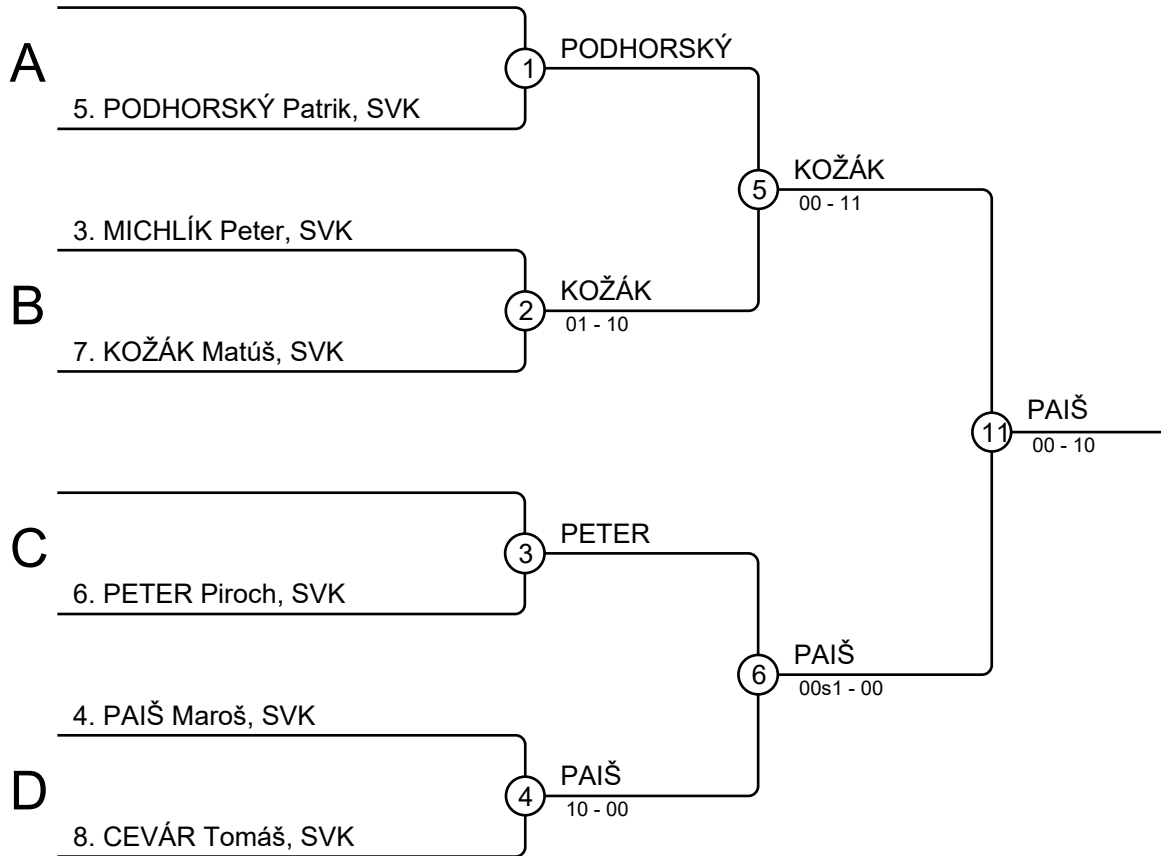
Competitors: 7



## Results

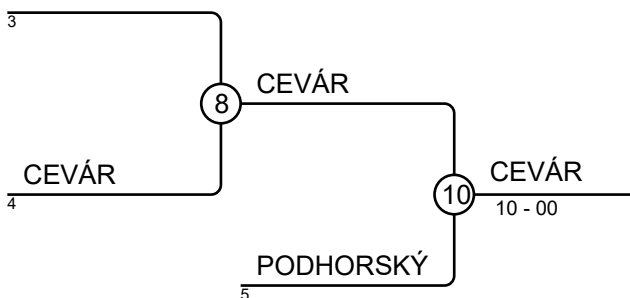
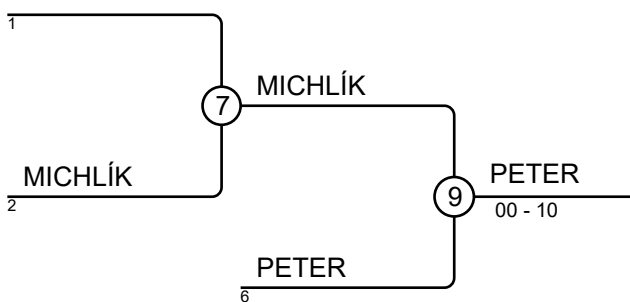
| Pos | Name                          |
|-----|-------------------------------|
| 1   | LACIKA Silvio, SVK/JKKECCPP   |
| 2   | MYKHTONIUK Stepan, UKR/UZHGOR |
| 3   | BIGANIČ Hugo, SVK/DKSNV       |
| 3   | KAMINSKYI Danyil, UKR/UZHGOR  |
| 5   | KOKINDA Jakub, SVK/JCBB       |
| 5   | SABÓ Matúš, SVK/JKKECCPP      |
| 7   | KUBEK Samko, SVK/DUKLABE      |
| 7   |                               |

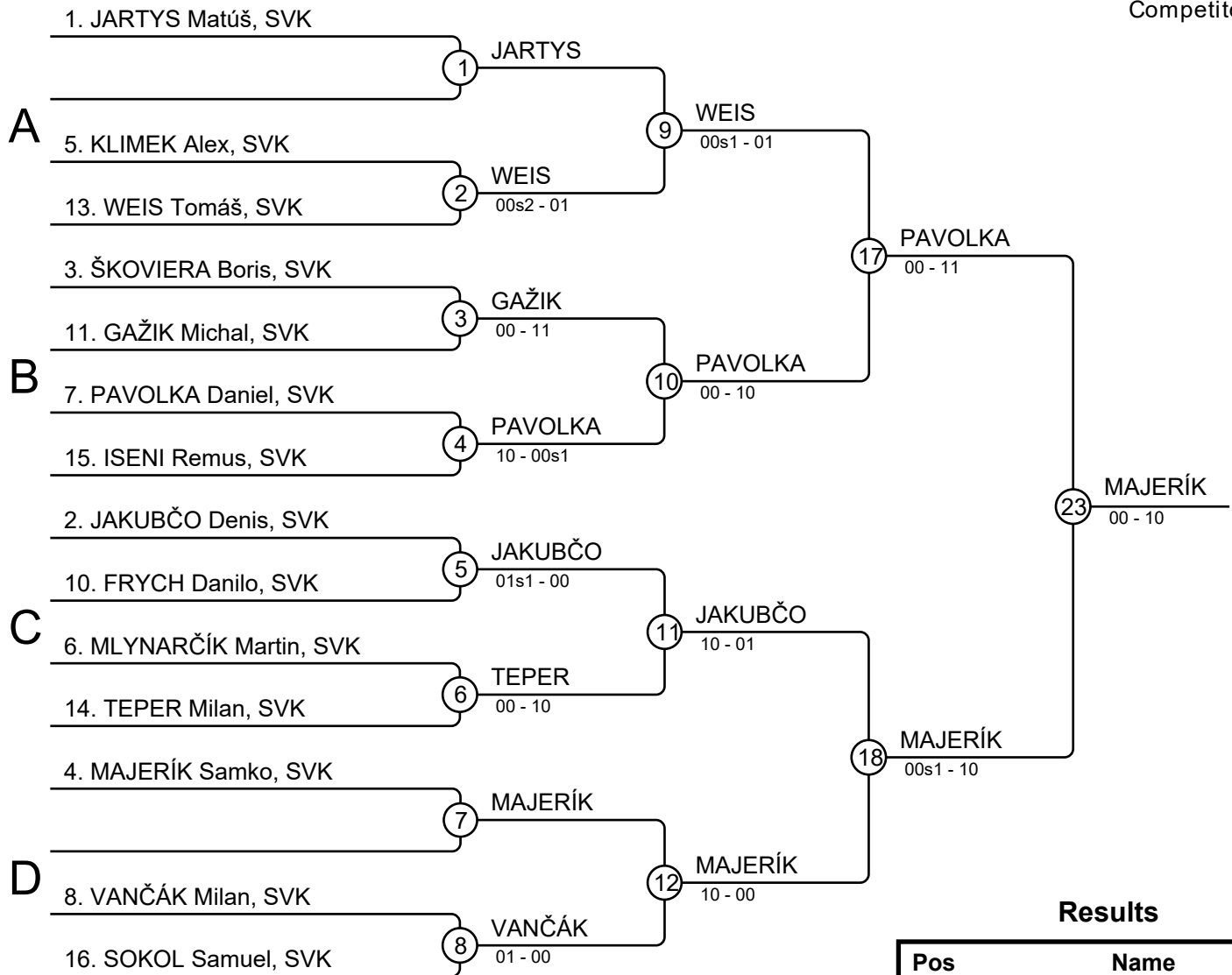




## Results

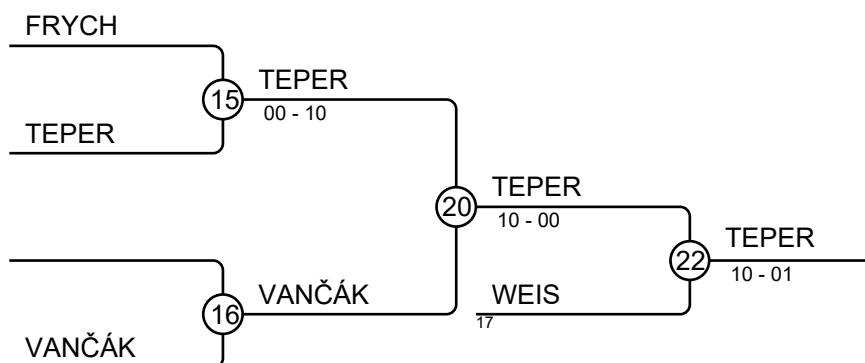
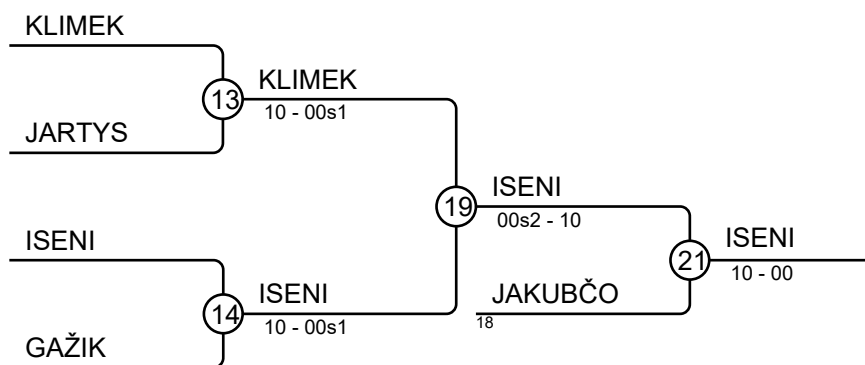
| Pos | Name                        |
|-----|-----------------------------|
| 1   | PAIŠ Maroš, SVK/TJMLZA      |
| 2   | KOŽÁK Matúš, SVK/DUKLABB    |
| 3   | PETER Piroch, SVK/JKKECCPP  |
| 3   | CEVÁR Tomáš, SVK/TJMLPP     |
| 5   | MICHLÍK Peter, SVK/TJMLPP   |
| 5   | PODHORSKÝ Patrik, SVK/JTATS |
| 7   |                             |
| 7   |                             |

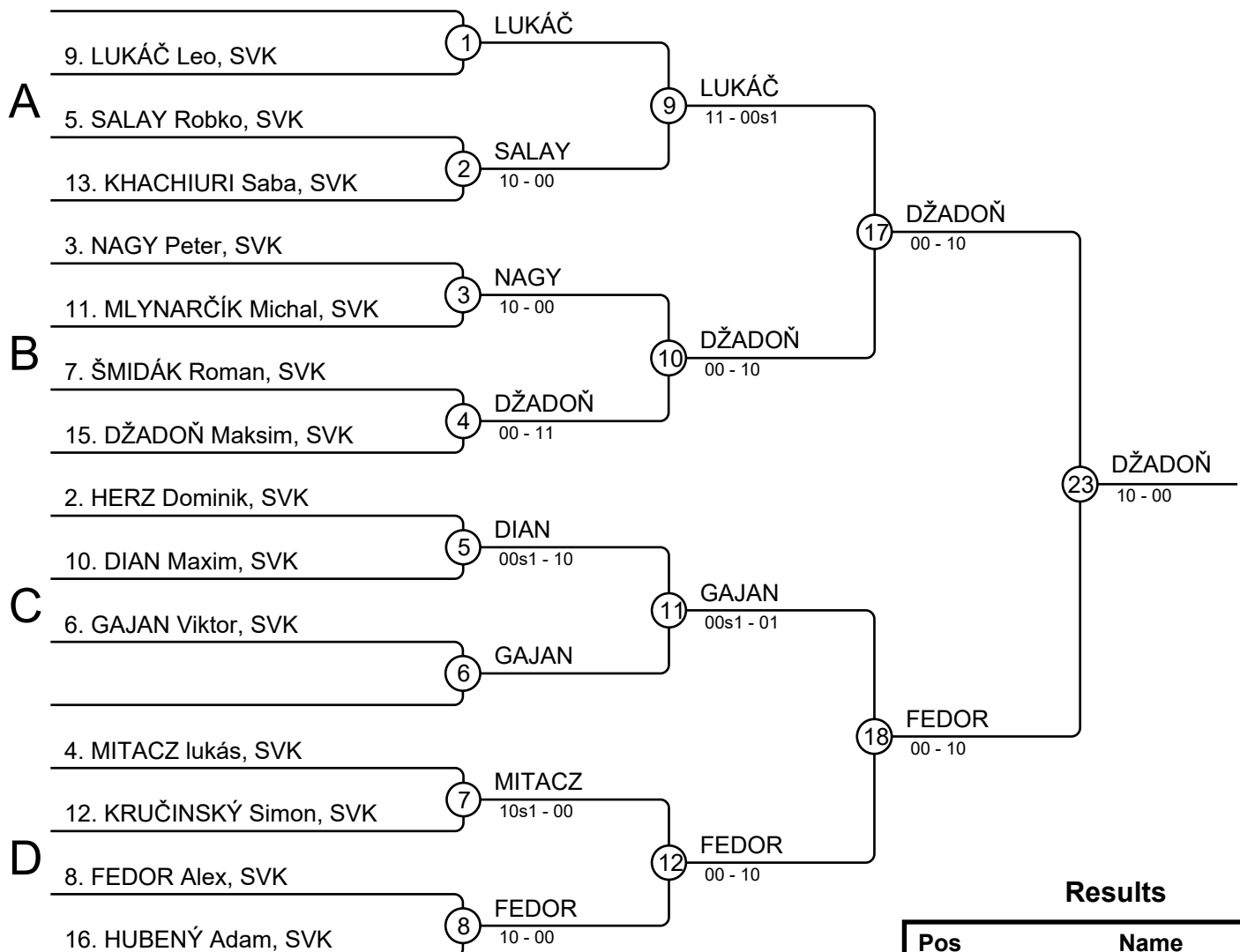




## Results

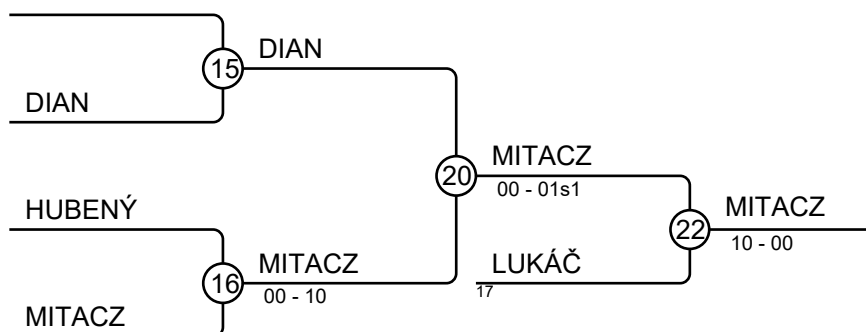
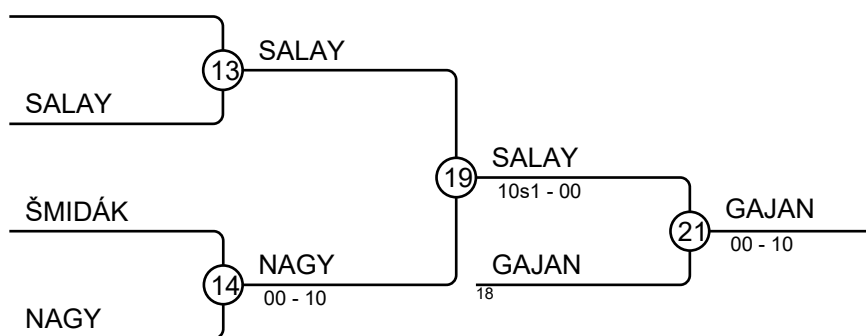
| Pos | Name                        |
|-----|-----------------------------|
| 1   | MAJERÍK Samko, SVK/DUKLABB  |
| 2   | PAVOLKA Daniel, SVK/JCZTSMT |
| 3   | ISENI Remus, SVK/TJMLPP     |
| 3   | TEPER Milan, SVK/JCZTSMT    |
| 5   | JAKUBČO Denis, SVK/TJMLPP   |
| 5   | WEIS Tomáš, SVK/TJSOKPD     |
| 7   | KLIMEK Alex, SVK/SKM        |
| 7   | VANČÁK Milan, SVK/TJMLZA    |





## Results

| Pos | Name                      |
|-----|---------------------------|
| 1   | DŽADOŇ Maksim, SVK/TJMLPP |
| 2   | FEDOR Alex, SVK/TJMRS     |
| 3   | GAJAN Viktor, SVK/TJMLPP  |
| 3   | MITACZ lukás, SVK/JKKATLC |
| 5   | SALAY Robko, SVK/DUKLABB  |
| 5   | LUKÁČ Leo, SVK/TJMLPP     |
| 7   | NAGY Peter, SVK/JTATSVIT  |
| 7   | DIAN Maxim, SVK/DUKLABB   |



**MVC Poprad 19.10.2019 MU11-42****Competitors**

Competitors: 5

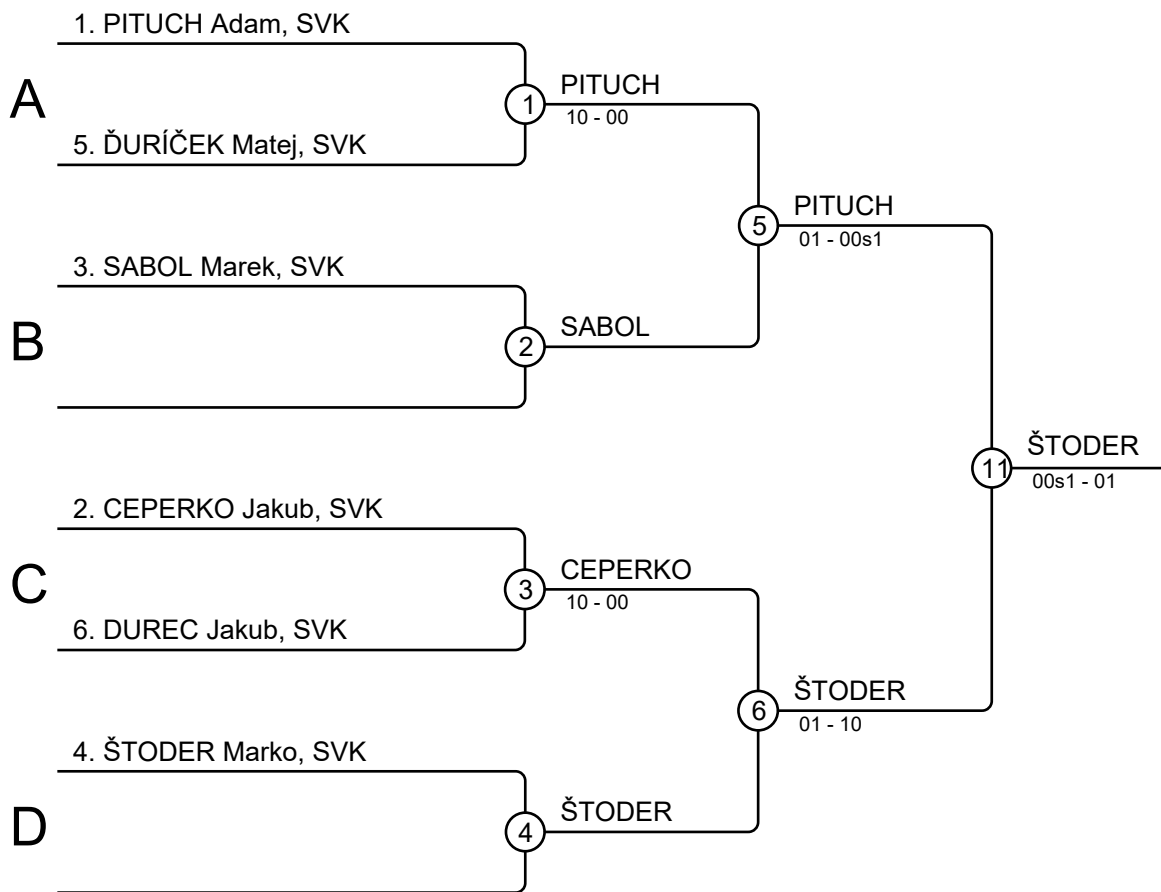
| # | Name             | Club        | 1  | 2 | 3  | 4  | 5  | Wins | Pts | Pos |
|---|------------------|-------------|----|---|----|----|----|------|-----|-----|
| 1 | MAČEJÁK Martin   | SVK/TJMLZA  |    |   |    | 10 |    | 1    | 10  | 4   |
| 2 | MÁC Juraj        | SVK/JCZTSMT | 10 |   | 10 | 10 | 10 | 4    | 40  | 1   |
| 3 | GRIVALSKÝ Andrej | SVK/TJMLPP  | 10 |   |    | 10 | 10 | 3    | 30  | 2   |
| 4 | BLAHA František  | SVK/TJMLZA  |    |   |    |    |    | 0    | 0   | 5   |
| 5 | MAGÁL Andrej     | SVK/TJMLZA  | 10 |   |    | 10 |    | 2    | 20  | 3   |

**Matches**

| Match | White            |   |   | Blue             | Result | Time |
|-------|------------------|---|---|------------------|--------|------|
| 1     | BLAHA František  | 4 | 5 | MAGÁL Andrej     | 00-10  | 0:15 |
| 2     | MAČEJÁK Martin   | 1 | 2 | MÁC Juraj        | 00-10  | 0:52 |
| 3     | GRIVALSKÝ Andrej | 3 | 4 | BLAHA František  | 10-00  | 0:30 |
| 4     | MAČEJÁK Martin   | 1 | 5 | MAGÁL Andrej     | 00-10  | 0:23 |
| 5     | MÁC Juraj        | 2 | 3 | GRIVALSKÝ Andrej | 10-00  | 0:37 |
| 6     | MAČEJÁK Martin   | 1 | 4 | BLAHA František  | 10-00  | 0:22 |
| 7     | GRIVALSKÝ Andrej | 3 | 5 | MAGÁL Andrej     | 10-01  | 1:18 |
| 8     | MÁC Juraj        | 2 | 4 | BLAHA František  | 10-00  | 0:37 |
| 9     | MAČEJÁK Martin   | 1 | 3 | GRIVALSKÝ Andrej | 00-10  | 1:43 |
| 10    | MÁC Juraj        | 2 | 5 | MAGÁL Andrej     | 10-00  | 0:57 |

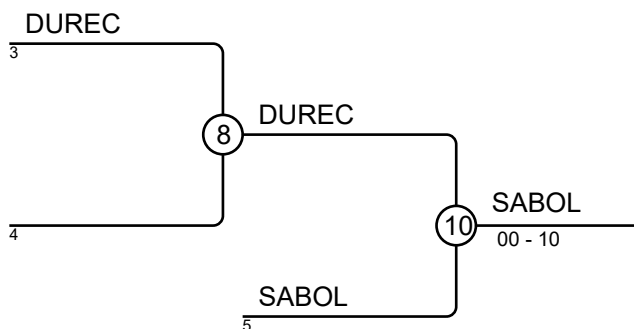
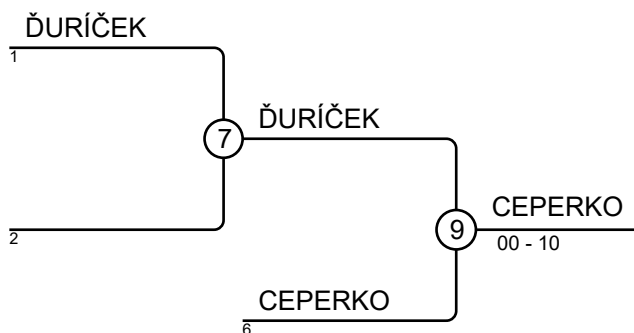
**Results**

| Pos | Name                         |
|-----|------------------------------|
| 1   | MÁC Juraj, SVK/JCZTSMT       |
| 2   | GRIVALSKÝ Andrej, SVK/TJMLPP |
| 3   | MAGÁL Andrej, SVK/TJMLZA     |
| 4   | MAČEJÁK Martin, SVK/TJMLZA   |
| 5   | BLAHA František, SVK/TJMLZA  |



## Results

| Pos | Name                      |
|-----|---------------------------|
| 1   | ŠTODER Marko, SVK/TJMLZA  |
| 2   | PITUCH Adam, SVK/SKM      |
| 3   | CEPERKO Jakub, SVK/TJPUP  |
| 3   | SABOL Marek, SVK/ZTSDnV   |
| 5   | ĎURÍČEK Matej, SVK/TJMLZA |
| 5   | DUREC Jakub, SVK/TJMRS    |
| 7   |                           |
| 7   |                           |





# MVC Poprad 19.10.2019 MU11-50

## Competitors

Competitors: 3

| # | Name              | Club       | 1  | 2  | 3 | Wins | Pts | Pos |
|---|-------------------|------------|----|----|---|------|-----|-----|
| 1 | KAŠČÁK Adrián     | SVK/DKSNV  |    | 10 |   | 1    | 10  | 2   |
| 2 | TOBIS michal      | SVK/JKPP   |    |    |   | 0    | 0   | 3   |
| 3 | KUHRY SHEV maksym | UKR/UZHGOR | 10 | 10 |   | 2    | 20  | 1   |

## Matches

| Match | White         |   |   | Blue              | Result | Time |
|-------|---------------|---|---|-------------------|--------|------|
| 1     | KAŠČÁK Adrián | 1 | 2 | TOBIS michal      | 10-00  | 1:27 |
| 2     | KAŠČÁK Adrián | 1 | 3 | KUHRY SHEV maksym | 00-10  | 0:09 |
| 3     | TOBIS michal  | 2 | 3 | KUHRY SHEV maksym | 00-10  | 0:07 |

## Results

| Pos | Name                          |
|-----|-------------------------------|
| 1   | KUHRY SHEV maksym, UKR/UZHGOR |
| 2   | KAŠČÁK Adrián, SVK/DKSNV      |
| 3   | TOBIS michal, SVK/JKPP        |

# MVC Poprad 19.10.2019 MU11-55

## Competitors

Competitors: 2

| # | Name         | Club      | 1  | 2 | 1 | 2 | 1  | 2 | Wins | Pts | Pos |
|---|--------------|-----------|----|---|---|---|----|---|------|-----|-----|
| 1 | SOKOL Filip  | SVK/JC BJ |    |   |   | 7 |    |   | 1    | 7   | 2   |
| 2 | LUO Wei Shan | SVK/DKSNV | 10 |   |   |   | 10 |   | 2    | 20  | 1   |

## Matches

| Match | White       |   |   | Blue         | Result  | Time |
|-------|-------------|---|---|--------------|---------|------|
| 1     | SOKOL Filip | 1 | 2 | LUO Wei Shan | 00-10   | 1:01 |
| 2     | SOKOL Filip | 1 | 2 | LUO Wei Shan | 01s1-00 | 2:00 |
| 3     | SOKOL Filip | 1 | 2 | LUO Wei Shan | 00-10   | 0:11 |

## Results

| Pos | Name                    |
|-----|-------------------------|
| 1   | LUO Wei Shan, SVK/DKSNV |
| 2   | SOKOL Filip, SVK/JC BJ  |

# MVC Poprad 19.10.2019 MU11-60

## Competitors

Competitors: 1

| # | Name        | Club        | 1 | Wins | Pts | Pos |
|---|-------------|-------------|---|------|-----|-----|
| 1 | VOZÁR Matúš | SVK/TJSVRUT |   | 0    | 0   | 1   |

## Matches

| Match | White | Blue | Result | Time |
|-------|-------|------|--------|------|
|-------|-------|------|--------|------|

## Results

| Pos | Name                     |
|-----|--------------------------|
| 1   | VOZÁR Matúš, SVK/TJSVRUT |

# MVC Poprad 19.10.2019 MU11+60

Competitors

Competitors: 1

| # | Name        | Club        | 1 | Wins | Pts | Pos |
|---|-------------|-------------|---|------|-----|-----|
| 1 | MIČKO Peter | SVK/ACUNIZA |   | 0    | 0   | 1   |

## Matches

| Match | White | Blue | Result | Time |
|-------|-------|------|--------|------|
|-------|-------|------|--------|------|

## Results

| Pos | Name                     |
|-----|--------------------------|
| 1   | MIČKO Peter, SVK/ACUNIZA |

# MVC Poprad 19.10.2019 WU13-32

## Competitors

Competitors: 2

| # | Name                 | Club        | 1  | 2 | 1  | 2 | 1 | 2 | Wins | Pts | Pos |
|---|----------------------|-------------|----|---|----|---|---|---|------|-----|-----|
| 1 | IBOŠOVÁ Eliška       | SVK/TJMRS   |    |   |    |   |   |   | 0    | 0   | 2   |
| 2 | KRIŽOVÁ lil kristina | SVK/JKKATLC | 10 |   | 10 |   |   |   | 2    | 20  | 1   |

## Matches

| Match | White          |   |   | Blue                 | Result | Time |
|-------|----------------|---|---|----------------------|--------|------|
| 1     | IBOŠOVÁ Eliška | 1 | 2 | KRIŽOVÁ lil kristina | 00-10  | 1:21 |
| 2     | IBOŠOVÁ Eliška | 1 | 2 | KRIŽOVÁ lil kristina | 00-10  | 0:53 |
| 3     | IBOŠOVÁ Eliška | 1 | 2 | KRIŽOVÁ lil kristina |        |      |

## Results

| Pos | Name                              |
|-----|-----------------------------------|
| 1   | KRIŽOVÁ lil kristina, SVK/JKKATLC |
| 2   | IBOŠOVÁ Eliška, SVK/TJMRS         |

# MVC Poprad 19.10.2019 WU13-36

## Competitors

Competitors: 3

| # | Name                 | Club        | 1  | 2 | 3  | Wins | Pts | Pos |
|---|----------------------|-------------|----|---|----|------|-----|-----|
| 1 | KVITKOVSKÁ natália   | SVK/JKLV    |    |   | 10 | 1    | 10  | 2   |
| 2 | KISSOVÁ Natália      | SVK/TJMRS   | 10 |   | 10 | 2    | 20  | 1   |
| 3 | VINKLEROVÁ Elisabeth | SVK/JKBUDZV |    |   |    | 0    | 0   | 3   |

## Matches

| Match | White              |   |   | Blue                 | Result | Time |
|-------|--------------------|---|---|----------------------|--------|------|
| 1     | KVITKOVSKÁ natália | 1 | 2 | KISSOVÁ Natália      | 00-10  | 0:20 |
| 2     | KVITKOVSKÁ natália | 1 | 3 | VINKLEROVÁ Elisabeth | 10-00  | 0:42 |
| 3     | KISSOVÁ Natália    | 2 | 3 | VINKLEROVÁ Elisabeth | 10-00  | 0:11 |

## Results

| Pos | Name                              |
|-----|-----------------------------------|
| 1   | KISSOVÁ Natália, SVK/TJMRS        |
| 2   | KVITKOVSKÁ natália, SVK/JKLV      |
| 3   | VINKLEROVÁ Elisabeth, SVK/JKBUDZV |

# MVC Poprad 19.10.2019 WU13-40

## Competitors

Competitors: 5

| # | Name              | Club        | 1  | 2 | 3  | 4  | 5  | Wins | Pts | Pos |
|---|-------------------|-------------|----|---|----|----|----|------|-----|-----|
| 1 | PROKIPOVA Natalia | SVK/JCBB    |    |   |    |    |    | 0    | 0   | 5   |
| 2 | ĽUPTÁKOVÁ martina | SVK/JKKATLC | 10 |   | 10 | 10 | 10 | 4    | 40  | 1   |
| 3 | VUŽŇÁKOVÁ Eva     | SVK/TJPUPO  | 10 |   |    |    |    | 1    | 10  | 4   |
| 4 | POLIAKOVÁ Petra   | SVK/TJMLPP  | 10 |   | 10 |    | 10 | 3    | 30  | 2   |
| 5 | MATUSZEKOVÁ Paula | SVK/DUKLABB | 10 |   | 10 |    |    | 2    | 20  | 3   |

## Matches

| Match | White             |   |   | Blue              | Result | Time |
|-------|-------------------|---|---|-------------------|--------|------|
| 1     | POLIAKOVÁ Petra   | 4 | 5 | MATUSZEKOVÁ Paula | 10-00  | 1:03 |
| 2     | PROKIPOVA Natalia | 1 | 2 | ĽUPTÁKOVÁ martina | 00-10  | 0:40 |
| 3     | VUŽŇÁKOVÁ Eva     | 3 | 4 | POLIAKOVÁ Petra   | 00-10  | 0:22 |
| 4     | PROKIPOVA Natalia | 1 | 5 | MATUSZEKOVÁ Paula | 00-10  | 1:00 |
| 5     | ĽUPTÁKOVÁ martina | 2 | 3 | VUŽŇÁKOVÁ Eva     | 10-00  | 0:37 |
| 6     | PROKIPOVA Natalia | 1 | 4 | POLIAKOVÁ Petra   | 00-10  | 0:47 |
| 7     | VUŽŇÁKOVÁ Eva     | 3 | 5 | MATUSZEKOVÁ Paula | 01-11  | 1:13 |
| 8     | ĽUPTÁKOVÁ martina | 2 | 4 | POLIAKOVÁ Petra   | 10-00  | 0:34 |
| 9     | PROKIPOVA Natalia | 1 | 3 | VUŽŇÁKOVÁ Eva     | 00-10  | 0:52 |
| 10    | ĽUPTÁKOVÁ martina | 2 | 5 | MATUSZEKOVÁ Paula | 10-00  | 0:14 |

## Results

| Pos | Name                           |
|-----|--------------------------------|
| 1   | ĽUPTÁKOVÁ martina, SVK/JKKATLC |
| 2   | POLIAKOVÁ Petra, SVK/TJMLPP    |
| 3   | MATUSZEKOVÁ Paula, SVK/DUKLABB |
| 4   | VUŽŇÁKOVÁ Eva, SVK/TJPUPO      |
| 5   | PROKIPOVA Natalia, SVK/JCBB    |

# MVC Poprad 19.10.2019 WU13-44

## Competitors

Competitors: 4

| # | Name               | Club      | 1 | 2  | 3  | 4  | Wins | Pts | Pos |
|---|--------------------|-----------|---|----|----|----|------|-----|-----|
| 1 | MACEČKOVA Božidara | SVK/JCBB  |   | 10 | 10 | 10 | 3    | 30  | 1   |
| 2 | CHOMOVA Lucia      | SVK/JCBB  |   |    | 10 | 7  | 2    | 17  | 2   |
| 3 | MAĐARČÍKOVÁ Lora   | SVK/JKSOB |   |    |    |    | 0    | 0   | 4   |
| 4 | CVENGROŠOVÁ Sabina | SVK/DKSNV |   |    | 10 |    | 1    | 10  | 3   |

## Matches

| Match | White              |   |   | Blue               | Result | Time |
|-------|--------------------|---|---|--------------------|--------|------|
| 1     | MACEČKOVA Božidara | 1 | 2 | CHOMOVA Lucia      | 10-01  | 1:44 |
| 2     | MAĐARČÍKOVÁ Lora   | 3 | 4 | CVENGROŠOVÁ Sabina | 00-10  | 0:36 |
| 3     | MACEČKOVA Božidara | 1 | 3 | MAĐARČÍKOVÁ Lora   | 10-00  | 0:20 |
| 4     | CHOMOVA Lucia      | 2 | 4 | CVENGROŠOVÁ Sabina | 01-00  | 2:00 |
| 5     | MACEČKOVA Božidara | 1 | 4 | CVENGROŠOVÁ Sabina | 10-00  | 1:14 |
| 6     | CHOMOVA Lucia      | 2 | 3 | MAĐARČÍKOVÁ Lora   | 10-00  | 0:59 |

## Results

| Pos | Name                          |
|-----|-------------------------------|
| 1   | MACEČKOVA Božidara, SVK/JCBB  |
| 2   | CHOMOVA Lucia, SVK/JCBB       |
| 3   | CVENGROŠOVÁ Sabina, SVK/DKSNV |
| 4   | MAĐARČÍKOVÁ Lora, SVK/JKSOB   |



**MVC Poprad 19.10.2019 WU13-48****Competitors**

Competitors: 5

| # | Name             | Club         | 1  | 2  | 3  | 4  | 5 | Wins | Pts | Pos |
|---|------------------|--------------|----|----|----|----|---|------|-----|-----|
| 1 | JURČOVÁ Michaela | SVK/JTATSVIT |    |    |    |    |   | 0    | 0   | 5   |
| 2 | ŠUBOVÁ Kristína  | SVK/TJMLZA   | 10 |    |    | 10 |   | 2    | 20  | 3   |
| 3 | HROMADOVÁ Silvia | SVK/JCZTSMT  | 10 | 10 |    | 10 |   | 3    | 30  | 2   |
| 4 | HAMBOROVÁ Zuzana | SVK/DKSNV    | 10 |    |    |    |   | 1    | 10  | 4   |
| 5 | GÁNOVSKÁ Sofia   | SVK/DKSNV    | 10 | 1  | 10 | 10 |   | 4    | 31  | 1   |

**Matches**

| Match | White                | Blue             | Result | Time |
|-------|----------------------|------------------|--------|------|
| 1     | HAMBOROVÁ Zuzana 4 5 | GÁNOVSKÁ Sofia   | 00-10  | 1:51 |
| 2     | JURČOVÁ Michaela 1 2 | ŠUBOVÁ Kristína  | 00-10  | 0:51 |
| 3     | HROMADOVÁ Silvia 3 4 | HAMBOROVÁ Zuzana | 10-00  | 1:24 |
| 4     | JURČOVÁ Michaela 1 5 | GÁNOVSKÁ Sofia   | 00-10  | 0:19 |
| 5     | ŠUBOVÁ Kristína 2 3  | HROMADOVÁ Silvia | 00-10  | 0:12 |
| 6     | JURČOVÁ Michaela 1 4 | HAMBOROVÁ Zuzana | 00-10  | 0:24 |
| 7     | HROMADOVÁ Silvia 3 5 | GÁNOVSKÁ Sofia   | 00-10  | 0:34 |
| 8     | ŠUBOVÁ Kristína 2 4  | HAMBOROVÁ Zuzana | 10-00  | 1:19 |
| 9     | JURČOVÁ Michaela 1 3 | HROMADOVÁ Silvia | 00-10  | 0:50 |
| 10    | ŠUBOVÁ Kristína 2 5  | GÁNOVSKÁ Sofia   | 00-01  | 2:19 |

**Results**

| Pos | Name                           |
|-----|--------------------------------|
| 1   | GÁNOVSKÁ Sofia, SVK/DKSNV      |
| 2   | HROMADOVÁ Silvia, SVK/JCZTSMT  |
| 3   | ŠUBOVÁ Kristína, SVK/TJMLZA    |
| 4   | HAMBOROVÁ Zuzana, SVK/DKSNV    |
| 5   | JURČOVÁ Michaela, SVK/JTATSVIT |

**MVC Poprad 19.10.2019 WU13-52****Competitors**

Competitors: 3

| # | Name               | Club       | 1  | 2  | 3 | Wins | Pts | Pos |
|---|--------------------|------------|----|----|---|------|-----|-----|
| 1 | GRAPOVÁ Stanka     | SVK/SKKR   |    | 10 |   | 1    | 10  | 2   |
| 2 | JAKUBČOVÁ Dominika | SVK/TJMLPP |    |    |   | 0    | 0   | 3   |
| 3 | ZELENAKOVA Zuzana  | SVK/STUBA  | 10 | 10 |   | 2    | 20  | 1   |

**Matches**

| Match | White              |   |   | Blue               | Result  | Time |
|-------|--------------------|---|---|--------------------|---------|------|
| 1     | GRAPOVÁ Stanka     | 1 | 2 | JAKUBČOVÁ Dominika | 10-00   | 0:05 |
| 2     | GRAPOVÁ Stanka     | 1 | 3 | ZELENAKOVA Zuzana  | 00-10   | 0:17 |
| 3     | JAKUBČOVÁ Dominika | 2 | 3 | ZELENAKOVA Zuzana  | 00s2-10 | 0:28 |

**Results**

| Pos | Name                           |
|-----|--------------------------------|
| 1   | ZELENAKOVA Zuzana, SVK/STUBA   |
| 2   | GRAPOVÁ Stanka, SVK/SKKR       |
| 3   | JAKUBČOVÁ Dominika, SVK/TJMLPP |

**MVC Poprad 19.10.2019 WU13-63****Competitors**

Competitors: 3

| # | Name              | Club       | 1  | 2 | 3  | Wins | Pts | Pos |
|---|-------------------|------------|----|---|----|------|-----|-----|
| 1 | VIŠŇOVSKÁ Simona  | SVK/MŠKVnT |    |   |    | 0    | 0   | 3   |
| 2 | OČENÁŠOVÁ Bibiana | SVK/TJMRS  | 10 |   | 10 | 2    | 20  | 1   |
| 3 | KOČKOVÁ Nina      | SVK/TJPUPO | 10 |   |    | 1    | 10  | 2   |

**Matches**

| Match | White             |   |   | Blue              | Result | Time |
|-------|-------------------|---|---|-------------------|--------|------|
| 1     | VIŠŇOVSKÁ Simona  | 1 | 2 | OČENÁŠOVÁ Bibiana | 00-10  | 0:11 |
| 2     | VIŠŇOVSKÁ Simona  | 1 | 3 | KOČKOVÁ Nina      | 00-10  | 0:09 |
| 3     | OČENÁŠOVÁ Bibiana | 2 | 3 | KOČKOVÁ Nina      | 10-00  | 0:09 |

**Results**

| Pos | Name                         |
|-----|------------------------------|
| 1   | OČENÁŠOVÁ Bibiana, SVK/TJMRS |
| 2   | KOČKOVÁ Nina, SVK/TJPUPO     |
| 3   | VIŠŇOVSKÁ Simona, SVK/MŠKVnT |

# MVC Poprad 19.10.2019 MU13-27

Competitors

Competitors: 1

| # | Name          | Club         | 1 | Wins | Pts | Pos |
|---|---------------|--------------|---|------|-----|-----|
| 1 | LACIKA Silvio | SVK/JKKECCPP |   | 0    | 0   | 1   |

## Matches

| Match | White | Blue | Result | Time |
|-------|-------|------|--------|------|
|-------|-------|------|--------|------|

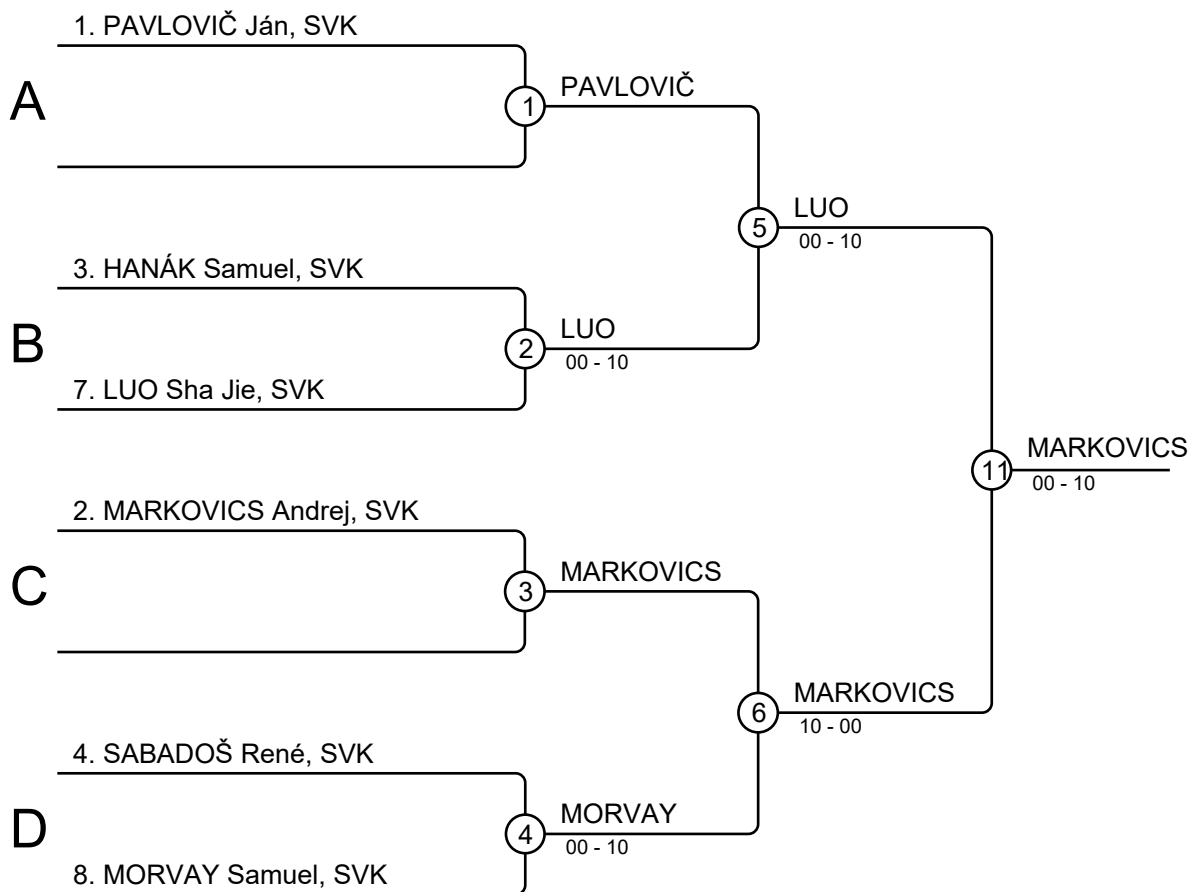
## Results

| Pos | Name                        |
|-----|-----------------------------|
| 1   | LACIKA Silvio, SVK/JKKECCPP |

# MVC Poprad 19.10.2019

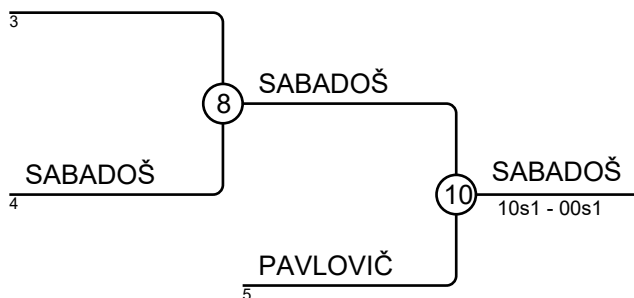
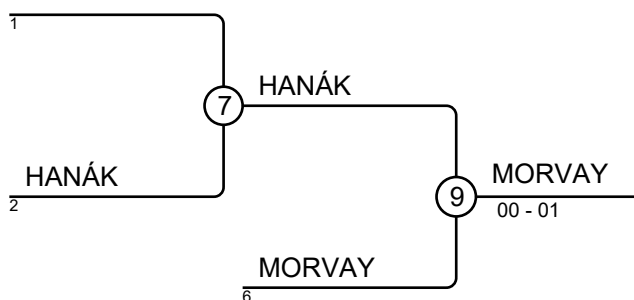
# MU13-30

Competitors: 6



## Results

| Pos | Name                       |
|-----|----------------------------|
| 1   | MARKOVICS Andrej, SVK/JCPK |
| 2   | LUO Sha Jie, SVK/DKSNV     |
| 3   | MORVAY Samuel, SVK/TJMLP   |
| 3   | SABADOŠ René, SVK/JKSOB    |
| 5   | HANÁK Samuel, SVK/JTATSVIT |
| 5   | PAVLOVIČ Ján, SVK/SKZMI    |
| 7   |                            |
| 7   |                            |



# MVC Poprad 19.10.2019 MU13-34

## Competitors

Competitors: 5

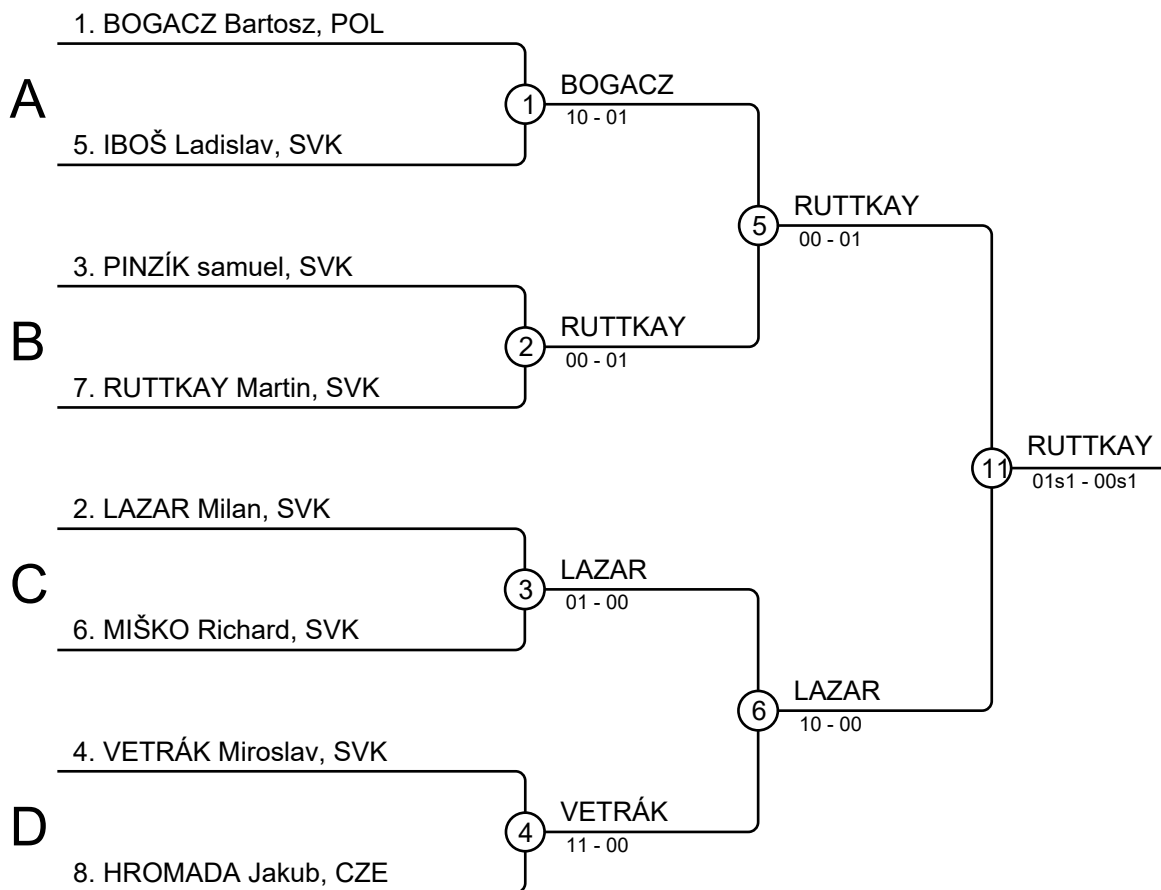
| # | Name           | Club         | 1  | 2 | 3  | 4  | 5  | Wins | Pts | Pos |
|---|----------------|--------------|----|---|----|----|----|------|-----|-----|
| 1 | KOKINDA Samuel | SVK/JCBI     |    |   | 10 | 10 |    | 2    | 20  | 3   |
| 2 | MATUŠKA simon  | SVK/JKKATLC  | 10 |   | 10 | 7  | 10 | 4    | 37  | 1   |
| 3 | DANIEL Szabo   | SVK/JKKECCPP |    |   |    |    |    | 0    | 0   | 5   |
| 4 | ERTEL Simon    | SVK/JKPD     |    |   | 10 |    |    | 1    | 10  | 4   |
| 5 | KOPČÍK Quido   | SVK/TJPUPO   | 10 |   | 10 | 10 |    | 3    | 30  | 2   |

## Matches

| Match | White          |   |   | Blue          | Result | Time |
|-------|----------------|---|---|---------------|--------|------|
| 1     | ERTEL Simon    | 4 | 5 | KOPČÍK Quido  | 00-10  | 0:09 |
| 2     | KOKINDA Samuel | 1 | 2 | MATUŠKA simon | 00-10  | 0:50 |
| 3     | DANIEL Szabo   | 3 | 4 | ERTEL Simon   | 00-11  | 0:20 |
| 4     | KOKINDA Samuel | 1 | 5 | KOPČÍK Quido  | 00-10  | 0:30 |
| 5     | MATUŠKA simon  | 2 | 3 | DANIEL Szabo  | 10-00  | 0:30 |
| 6     | KOKINDA Samuel | 1 | 4 | ERTEL Simon   | 10-00  | 0:09 |
| 7     | DANIEL Szabo   | 3 | 5 | KOPČÍK Quido  | 00-10  | 0:27 |
| 8     | MATUŠKA simon  | 2 | 4 | ERTEL Simon   | 01-00  | 2:00 |
| 9     | KOKINDA Samuel | 1 | 3 | DANIEL Szabo  | 10-00  | 0:12 |
| 10    | MATUŠKA simon  | 2 | 5 | KOPČÍK Quido  | 10-00  | 0:09 |

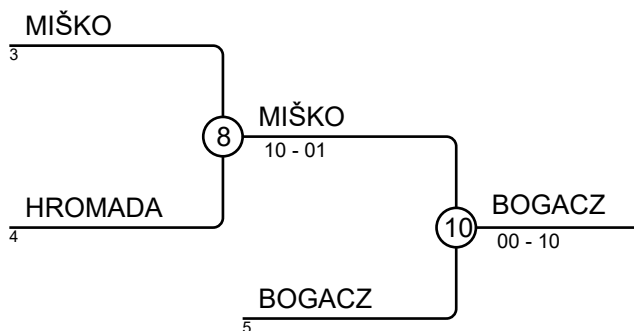
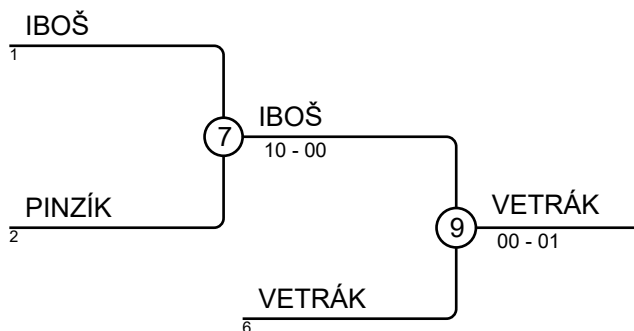
## Results

| Pos | Name                       |
|-----|----------------------------|
| 1   | MATUŠKA simon, SVK/JKKATLC |
| 2   | KOPČÍK Quido, SVK/TJPUPO   |
| 3   | KOKINDA Samuel, SVK/JCBI   |
| 4   | ERTEL Simon, SVK/JKPD      |
| 5   | DANIEL Szabo, SVK/JKKECCPP |



## Results

| Pos | Name                        |
|-----|-----------------------------|
| 1   | RUTTKAY Martin, SVK/JCZTSMT |
| 2   | LAZAR Milan, SVK/JCZTSMT    |
| 3   | VETRÁK Miroslav, SVK/TJMRS  |
| 3   | BOGACZ Bartosz, POL/KSBŁTAR |
| 5   | IBOŠ Ladislav, SVK/TJMRS    |
| 5   | MIŠKO Richard, SVK/TJMLPP   |
| 7   | PINZÍK samuel, SVK/JKKATLC  |
| 7   | HROMADA Jakub, CZE/SKPMOST  |



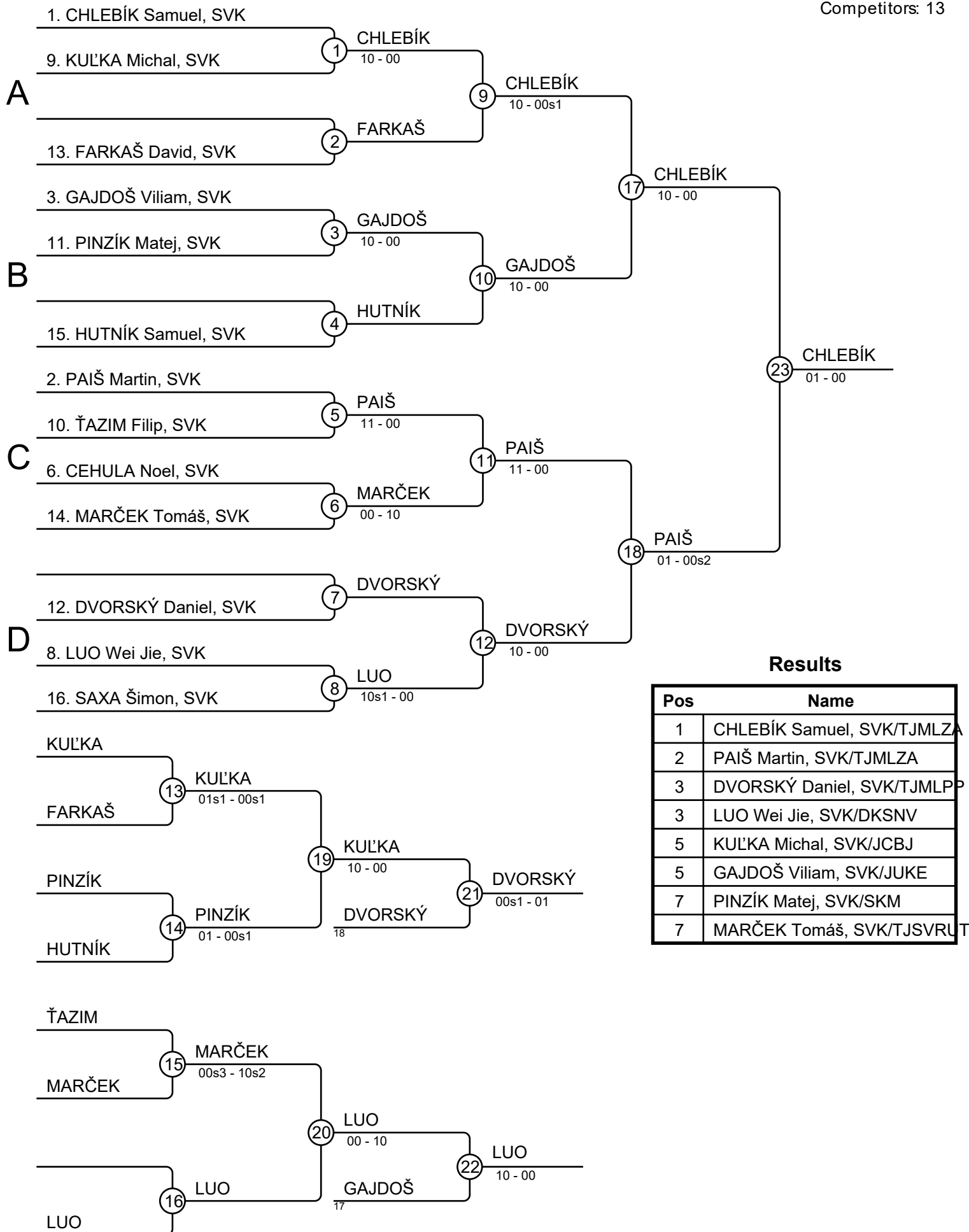




# MVC Poprad 19.10.2019

# MU13-46

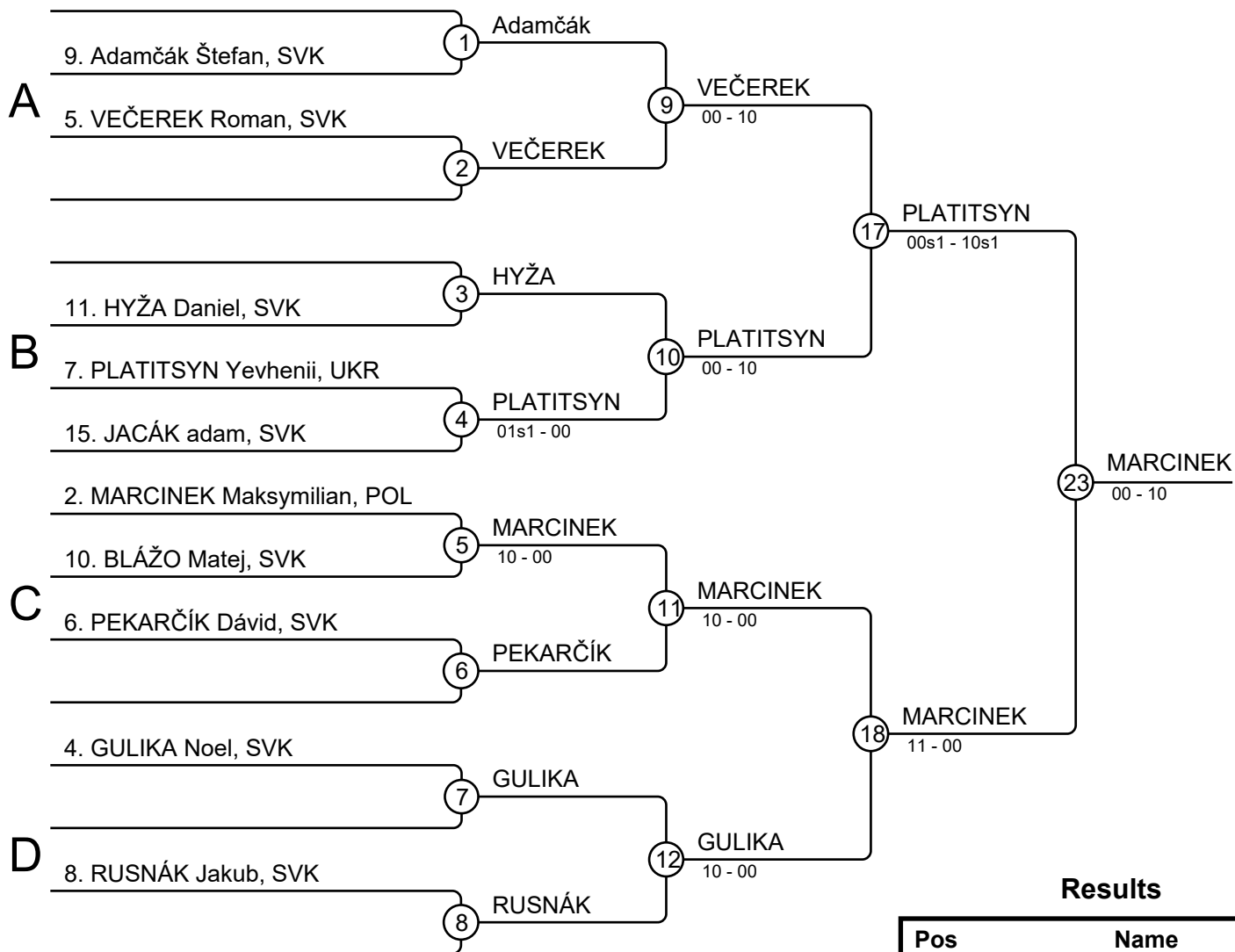
Competitors: 13



# MVC Poprad 19.10.2019

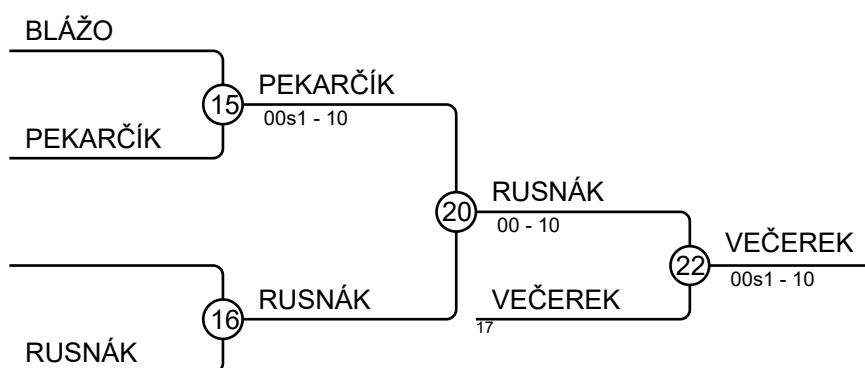
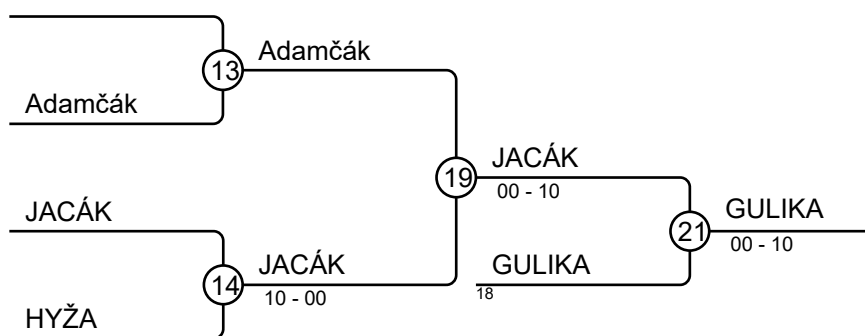
# MU13-50

Competitors: 10



## Results

| Pos | Name                             |
|-----|----------------------------------|
| 1   | MARCINEK Maksymilian, POL/KSBŁ   |
| 2   | PLATITSYN Yevhenii, UKR/UZHGOROD |
| 3   | GULIKA Noel, SVK/SKZMI           |
| 3   | VEČEREK Roman, SVK/JCZTSMT       |
| 5   | JACÁK adam, SVK/JKPP             |
| 5   | RUSNÁK Jakub, SVK/JCZTSMT        |
| 7   | Adamčák Štefan, SVK/SKPBB        |
| 7   | PEKARČÍK Dávid, SVK/TJMRS        |



# MVC Poprad 19.10.2019 MU13-55

## Competitors

Competitors: 4

| # | Name            | Club       | 1 | 2  | 3  | 4  | Wins | Pts | Pos |
|---|-----------------|------------|---|----|----|----|------|-----|-----|
| 1 | NEMČICKÝ Filip  | SVK/JUNLC  |   | 10 | 10 | 10 | 3    | 30  | 1   |
| 2 | KOLESÁR Filip   | SVK/JKSOB  |   |    | 10 |    | 1    | 10  | 3   |
| 3 | LABAJ Tomáš     | SVK/MŠKVnT |   |    |    |    | 0    | 0   | 4   |
| 4 | ČIHÁK František | SVK/TJMLPP |   | 10 | 10 |    | 2    | 20  | 2   |

## Matches

| Match | White          |   |   | Blue            | Result | Time |
|-------|----------------|---|---|-----------------|--------|------|
| 1     | NEMČICKÝ Filip | 1 | 2 | KOLESÁR Filip   | 10-00  | 0:06 |
| 2     | LABAJ Tomáš    | 3 | 4 | ČIHÁK František | 00-10  | 0:26 |
| 3     | NEMČICKÝ Filip | 1 | 3 | LABAJ Tomáš     | 10-00  | 0:38 |
| 4     | KOLESÁR Filip  | 2 | 4 | ČIHÁK František | 00-10  | 0:39 |
| 5     | NEMČICKÝ Filip | 1 | 4 | ČIHÁK František | 10-00  | 0:26 |
| 6     | KOLESÁR Filip  | 2 | 3 | LABAJ Tomáš     | 10-01  | 0:56 |

## Results

| Pos | Name                        |
|-----|-----------------------------|
| 1   | NEMČICKÝ Filip, SVK/JUNLC   |
| 2   | ČIHÁK František, SVK/TJMLPP |
| 3   | KOLESÁR Filip, SVK/JKSOB    |
| 4   | LABAJ Tomáš, SVK/MŠKVnT     |



**MVC Poprad 19.10.2019 MU13-65****Competitors**

Competitors: 3

| # | Name            | Club        | 1 | 2  | 3  | Wins | Pts | Pos |
|---|-----------------|-------------|---|----|----|------|-----|-----|
| 1 | ŠLAJFERČÍK adam | SVK/JKKATLC |   | 10 | 10 | 2    | 20  | 1   |
| 2 | ČIČMAN Matej    | SVK/ACUNIZA |   |    |    | 0    | 0   | 3   |
| 3 | PETRUŠ Šimon    | SVK/MŠKVnT  |   | 10 |    | 1    | 10  | 2   |

**Matches**

| Match | White           |   |   | Blue         | Result  | Time |
|-------|-----------------|---|---|--------------|---------|------|
| 1     | ŠLAJFERČÍK adam | 1 | 2 | ČIČMAN Matej | 10-00   | 0:08 |
| 2     | ŠLAJFERČÍK adam | 1 | 3 | PETRUŠ Šimon | 10-00s1 | 1:00 |
| 3     | ČIČMAN Matej    | 2 | 3 | PETRUŠ Šimon | 00-10   | 0:00 |

**Results**

| Pos | Name                         |
|-----|------------------------------|
| 1   | ŠLAJFERČÍK adam, SVK/JKKATLC |
| 2   | PETRUŠ Šimon, SVK/MŠKVnT     |
| 3   | ČIČMAN Matej, SVK/ACUNIZA    |

# MVC Poprad 19.10.2019 MU13+65

## Competitors

Competitors: 3

| # | Name           | Club        | 1  | 2 | 3 | Wins | Pts | Pos |
|---|----------------|-------------|----|---|---|------|-----|-----|
| 1 | OČENÁŠ Martin  | SVK/TJMRS   |    |   |   | 0    | 0   | 3   |
| 2 | HAJNECKÝ Marco | SVK/JCZTSMT | 1  |   |   | 1    | 1   | 2   |
| 3 | KOČKA Matej    | SVK/TJPUPO  | 10 | 1 |   | 2    | 11  | 1   |

## Matches

| Match | White          |   |   | Blue           | Result    | Time |
|-------|----------------|---|---|----------------|-----------|------|
| 1     | OČENÁŠ Martin  | 1 | 2 | HAJNECKÝ Marco | 00-01     | 2:30 |
| 2     | OČENÁŠ Martin  | 1 | 3 | KOČKA Matej    | 00-10     | 0:30 |
| 3     | HAJNECKÝ Marco | 2 | 3 | KOČKA Matej    | 00s2-01s2 | 3:41 |

## Results

| Pos | Name                        |
|-----|-----------------------------|
| 1   | KOČKA Matej, SVK/TJPUPO     |
| 2   | HAJNECKÝ Marco, SVK/JCZTSMT |
| 3   | OČENÁŠ Martin, SVK/TJMRS    |

# MVC Poprad 19.10.2019 WU15-40

## Competitors

Competitors: 1

| # | Name              | Club     | 1 | Wins | Pts | Pos |
|---|-------------------|----------|---|------|-----|-----|
| 1 | MARKOVICSOVÁ Ella | SVK/JCPK |   | 0    | 0   | 1   |

## Matches

| Match | White | Blue | Result | Time |
|-------|-------|------|--------|------|
|-------|-------|------|--------|------|

## Results

| Pos | Name                        |
|-----|-----------------------------|
| 1   | MARKOVICSOVÁ Ella, SVK/JCPK |

**MVC Poprad 19.10.2019 WU15-44****Competitors**

Competitors: 3

| # | Name           | Club       | 1 | 2 | 3  | Wins | Pts | Pos |
|---|----------------|------------|---|---|----|------|-----|-----|
| 1 | TITKOVÁ Sara   | SVK/MŠKVnT |   | 7 | 10 | 2    | 17  | 1   |
| 2 | SEKOVÁ Martina | SVK/JKSPB  |   |   | 10 | 1    | 10  | 2   |
| 3 | BEŇOVÁ Natalia | SVK/SKM    |   |   |    | 0    | 0   | 3   |

**Matches**

| Match | White          |   |   | Blue           | Result    | Time |
|-------|----------------|---|---|----------------|-----------|------|
| 1     | TITKOVÁ Sara   | 1 | 2 | SEKOVÁ Martina | 01s1-00s1 | 3:00 |
| 2     | TITKOVÁ Sara   | 1 | 3 | BEŇOVÁ Natalia | 11-00     | 0:42 |
| 3     | SEKOVÁ Martina | 2 | 3 | BEŇOVÁ Natalia | 10-00     | 0:06 |

**Results**

| Pos | Name                      |
|-----|---------------------------|
| 1   | TITKOVÁ Sara, SVK/MŠKVnT  |
| 2   | SEKOVÁ Martina, SVK/JKSPB |
| 3   | BEŇOVÁ Natalia, SVK/SKM   |



# MVC Poprad 19.10.2019 WU15-48

## Competitors

Competitors: 2

| # | Name                | Club         | 1  | 2 | 1  | 2 | 1 | 2 | Wins | Pts | Pos |
|---|---------------------|--------------|----|---|----|---|---|---|------|-----|-----|
| 1 | KANDALCOVÁ Michaela | SVK/JTATSVIT |    |   |    |   |   |   | 0    | 0   | 2   |
| 2 | VANEKOVA Tereza     | SVK/JCBB     | 10 |   | 10 |   |   |   | 2    | 20  | 1   |

## Matches

| Match | White               |   |   | Blue            | Result  | Time |
|-------|---------------------|---|---|-----------------|---------|------|
| 1     | KANDALCOVÁ Michaela | 1 | 2 | VANEKOVA Tereza | 00-10   | 0:17 |
| 2     | KANDALCOVÁ Michaela | 1 | 2 | VANEKOVA Tereza | 00s1-10 | 0:32 |
| 3     | KANDALCOVÁ Michaela | 1 | 2 | VANEKOVA Tereza |         |      |

## Results

| Pos | Name                              |
|-----|-----------------------------------|
| 1   | VANEKOVA Tereza, SVK/JCBB         |
| 2   | KANDALCOVÁ Michaela, SVK/JTATSVIT |

**MVC Poprad 19.10.2019 WU15-52****Competitors**

Competitors: 4

| # | Name               | Club       | 1  | 2 | 3  | 4  | Wins | Pts | Pos |
|---|--------------------|------------|----|---|----|----|------|-----|-----|
| 1 | KOVÁCSOVÁ Laura    | SVK/TJMRS  |    |   |    |    | 0    | 0   | 4   |
| 2 | HANZLÍKOVÁ Nina    | SVK/JUNLC  | 10 |   | 10 | 10 | 3    | 30  | 1   |
| 3 | SHTEFANIAK Yuliia  | UKR/UZHGOR | 10 |   |    | 10 | 2    | 20  | 2   |
| 4 | OLENIČOVÁ Katarína | SVK/JUKE   | 10 |   |    |    | 1    | 10  | 3   |

**Matches**

| Match | White             |   |   | Blue               | Result  | Time |
|-------|-------------------|---|---|--------------------|---------|------|
| 1     | KOVÁCSOVÁ Laura   | 1 | 2 | HANZLÍKOVÁ Nina    | 00-10   | 0:38 |
| 2     | SHTEFANIAK Yuliia | 3 | 4 | OLENIČOVÁ Katarína | 11-00s1 | 0:45 |
| 3     | KOVÁCSOVÁ Laura   | 1 | 3 | SHTEFANIAK Yuliia  | 00-10   | 0:28 |
| 4     | HANZLÍKOVÁ Nina   | 2 | 4 | OLENIČOVÁ Katarína | 10-00s1 | 1:09 |
| 5     | KOVÁCSOVÁ Laura   | 1 | 4 | OLENIČOVÁ Katarína | 00-10   | 0:10 |
| 6     | HANZLÍKOVÁ Nina   | 2 | 3 | SHTEFANIAK Yuliia  | 10-01   | 2:51 |

**Results**

| Pos | Name                          |
|-----|-------------------------------|
| 1   | HANZLÍKOVÁ Nina, SVK/JUNLC    |
| 2   | SHTEFANIAK Yuliia, UKR/UZHGOR |
| 3   | OLENIČOVÁ Katarína, SVK/JUKE  |
| 4   | KOVÁCSOVÁ Laura, SVK/TJMRS    |

# MVC Poprad 19.10.2019 WU15-57

## Competitors

Competitors: 5

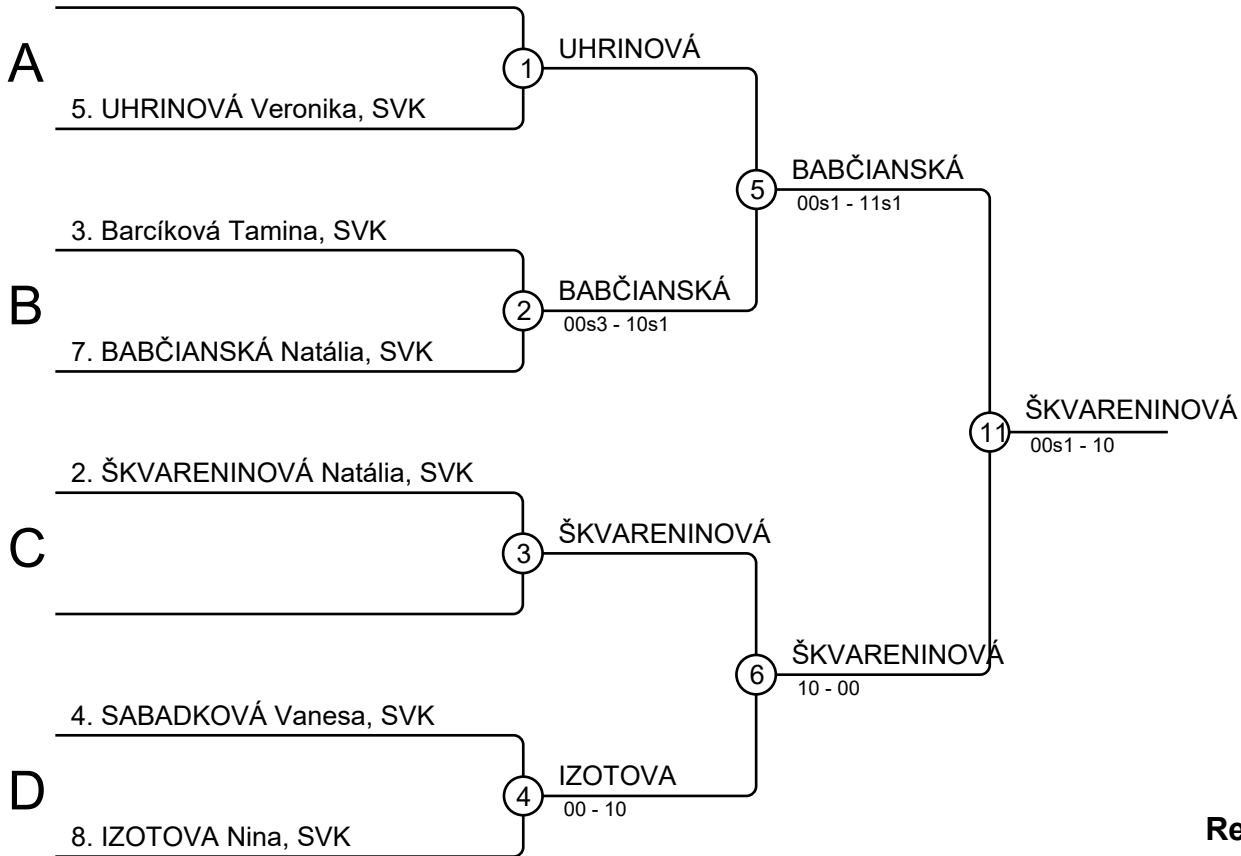
| # | Name              | Club         | 1  | 2  | 3  | 4  | 5  | Wins | Pts | Pos |
|---|-------------------|--------------|----|----|----|----|----|------|-----|-----|
| 1 | MÁCOVÁ Tereza     | SVK/JCZTSMT  |    |    | 10 |    | 10 | 2    | 20  | 3   |
| 2 | GREGOIRE Rose     | SVK/DKSNV    | 10 |    | 10 | 10 |    | 3    | 30  | 1   |
| 3 | JURČOVÁ Sára      | SVK/JTATSVIT |    |    |    |    |    | 0    | 0   | 5   |
| 4 | KOTVASOVÁ Nina    | SVK/TJMLZA   | 10 |    | 10 |    | 10 | 3    | 30  | 2   |
| 5 | ŠVELKOVÁ Kristína | SVK/TJMLZA   |    | 10 | 10 |    |    | 2    | 20  | 4   |

## Matches

| Match | White          |   |   | Blue              | Result    | Time |
|-------|----------------|---|---|-------------------|-----------|------|
| 1     | KOTVASOVÁ Nina | 4 | 5 | ŠVELKOVÁ Kristína | 10s2-00s1 | 1:15 |
| 2     | MÁCOVÁ Tereza  | 1 | 2 | GREGOIRE Rose     | 00-10     | 0:44 |
| 3     | JURČOVÁ Sára   | 3 | 4 | KOTVASOVÁ Nina    | 00-10     | 0:17 |
| 4     | MÁCOVÁ Tereza  | 1 | 5 | ŠVELKOVÁ Kristína | 10-00s1   | 0:41 |
| 5     | GREGOIRE Rose  | 2 | 3 | JURČOVÁ Sára      | 11s1-00s1 | 0:23 |
| 6     | MÁCOVÁ Tereza  | 1 | 4 | KOTVASOVÁ Nina    | 01-10     | 1:23 |
| 7     | JURČOVÁ Sára   | 3 | 5 | ŠVELKOVÁ Kristína | 00-10     | 1:06 |
| 8     | GREGOIRE Rose  | 2 | 4 | KOTVASOVÁ Nina    | 10s1-00   | 2:21 |
| 9     | MÁCOVÁ Tereza  | 1 | 3 | JURČOVÁ Sára      | 10-00     | 0:05 |
| 10    | GREGOIRE Rose  | 2 | 5 | ŠVELKOVÁ Kristína | 00-10     | 0:24 |

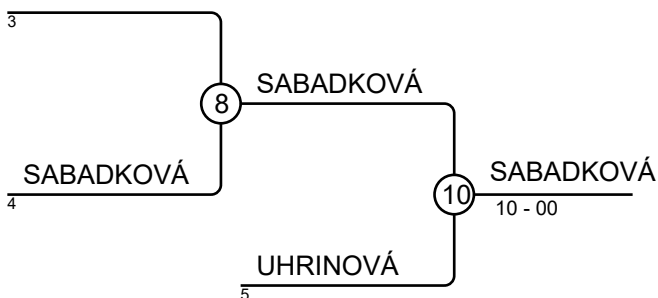
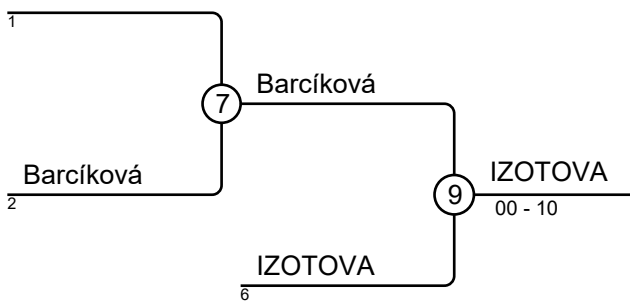
## Results

| Pos | Name                          |
|-----|-------------------------------|
| 1   | GREGOIRE Rose, SVK/DKSNV      |
| 2   | KOTVASOVÁ Nina, SVK/TJMLZA    |
| 3   | MÁCOVÁ Tereza, SVK/JCZTSMT    |
| 4   | ŠVELKOVÁ Kristína, SVK/TJMLZA |
| 5   | JURČOVÁ Sára, SVK/JTATSVIT    |



## Results

| Pos | Name                           |
|-----|--------------------------------|
| 1   | ŠKVARENINOVÁ Natália, SVK/TJML |
| 2   | BABČIANSKÁ Natália, SVK/TJMLZA |
| 3   | IZOTOVA Nina, SVK/TJSOKBA      |
| 3   | SABADKOVÁ Vanesa, SVK/ZTSDnV   |
| 5   | Barčíková Tamina, SVK/JUNLC    |
| 5   | UHRINOVÁ Veronika, SVK/TJSVRU  |
| 7   |                                |
| 7   |                                |



# MVC Poprad 19.10.2019 WU15+63

## Competitors

Competitors: 4

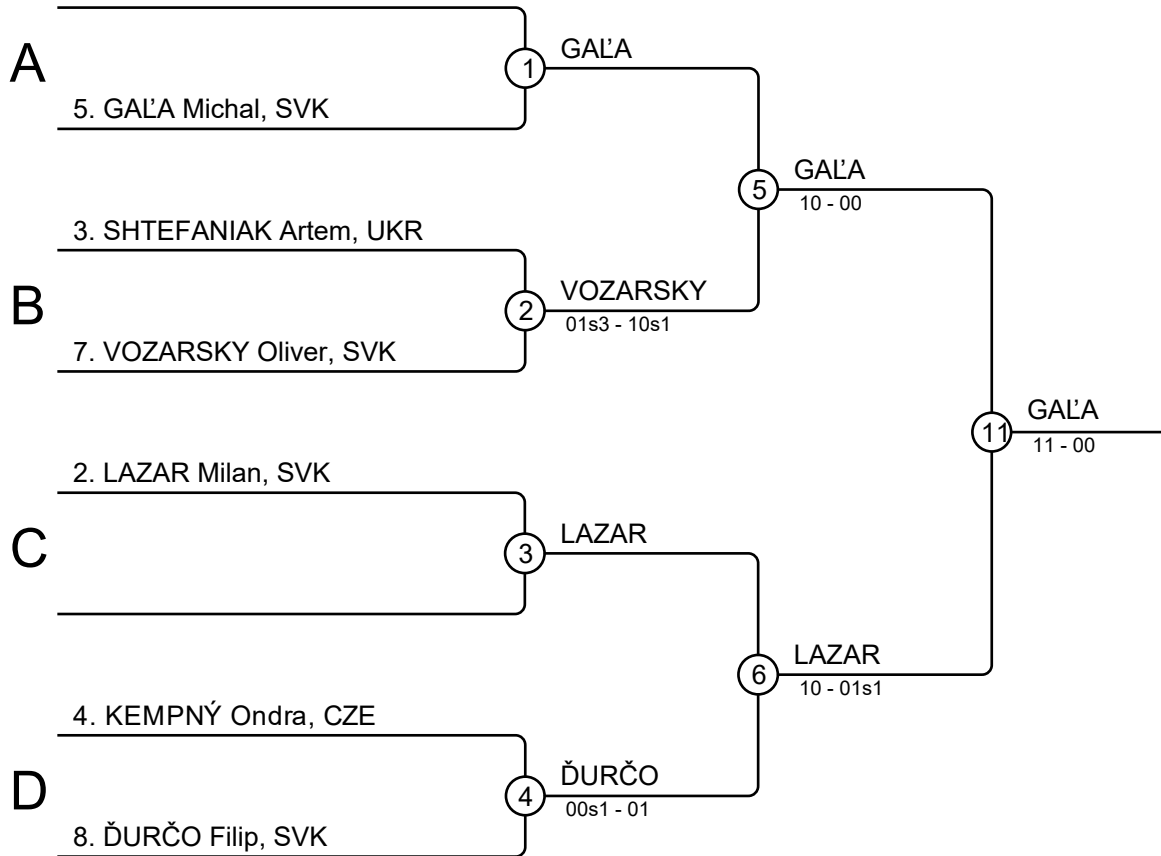
| # | Name               | Club        | 1  | 2  | 3  | 4 | Wins | Pts | Pos |
|---|--------------------|-------------|----|----|----|---|------|-----|-----|
| 1 | ŠULANOVÁ Andrea    | SVK/JUKE    |    |    |    |   | 0    | 0   | 4   |
| 2 | LÁBOVÁ Dorota      | SVK/MŠKVnT  | 10 |    | 10 |   | 2    | 20  | 2   |
| 3 | BUKOVČANOVÁ Miriam | SVK/SKUMBBB | 10 |    |    |   | 1    | 10  | 3   |
| 4 | FEKIAČOVÁ diana    | SVK/JKKATLC | 10 | 10 | 10 |   | 3    | 30  | 1   |

## Matches

| Match | White              |   |   | Blue               | Result    | Time |
|-------|--------------------|---|---|--------------------|-----------|------|
| 1     | ŠULANOVÁ Andrea    | 1 | 2 | LÁBOVÁ Dorota      | 00-11     | 2:31 |
| 2     | BUKOVČANOVÁ Miriam | 3 | 4 | FEKIAČOVÁ diana    | 00s1-10s2 | 1:42 |
| 3     | ŠULANOVÁ Andrea    | 1 | 3 | BUKOVČANOVÁ Miriam | 00s2-10s2 | 3:00 |
| 4     | LÁBOVÁ Dorota      | 2 | 4 | FEKIAČOVÁ diana    | 01s3-10   | 2:38 |
| 5     | ŠULANOVÁ Andrea    | 1 | 4 | FEKIAČOVÁ diana    | 00-10     | 0:32 |
| 6     | LÁBOVÁ Dorota      | 2 | 3 | BUKOVČANOVÁ Miriam | 10-00s2   | 2:22 |

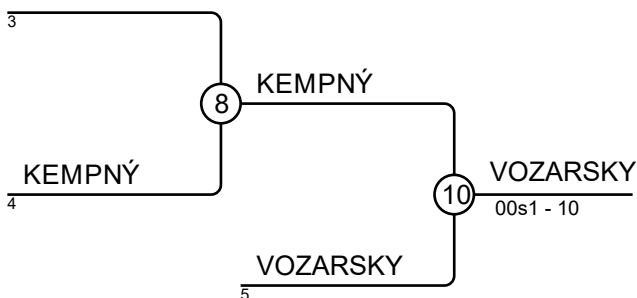
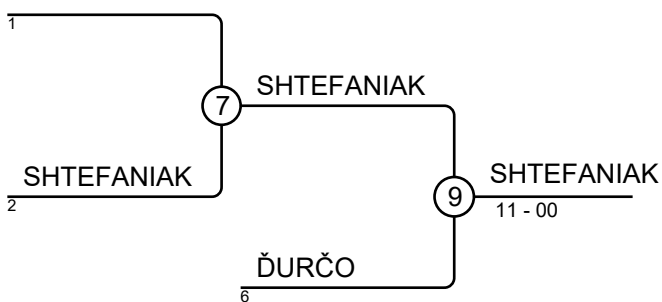
## Results

| Pos | Name                            |
|-----|---------------------------------|
| 1   | FEKIAČOVÁ diana, SVK/JKKATLC    |
| 2   | LÁBOVÁ Dorota, SVK/MŠKVnT       |
| 3   | BUKOVČANOVÁ Miriam, SVK/SKUMBBB |
| 4   | ŠULANOVÁ Andrea, SVK/JUKE       |



## Results

| Pos | Name                         |
|-----|------------------------------|
| 1   | GALA Michal, SVK/SKZMI       |
| 2   | LAZAR Milan, SVK/JCZTSMT     |
| 3   | SHTEFANIAK Artem, UKR/UZHGOR |
| 3   | VOZARSKY Oliver, SVK/JCBI    |
| 5   | ĎURČO Filip, SVK/TJMRS       |
| 5   | KEMPNÝ Ondra, CZE/JCHAVIR    |
| 7   |                              |
| 7   |                              |



# MVC Poprad 19.10.2019 MU15-42

## Competitors

Competitors: 3

| # | Name           | Club        | 1  | 2 | 3  | Wins | Pts | Pos |
|---|----------------|-------------|----|---|----|------|-----|-----|
| 1 | BROŻEK Mateusz | POL/KSBŁTAR |    |   | 1  | 1    | 1   | 2   |
| 2 | GREŃA Tobias   | SVK/TJMLPP  | 10 |   | 10 | 2    | 20  | 1   |
| 3 | GOLICH Albert  | CZE/JCHAVIŘ |    |   |    | 0    | 0   | 3   |

## Matches

| Match | White          |   |   | Blue          | Result    | Time |
|-------|----------------|---|---|---------------|-----------|------|
| 1     | BROŻEK Mateusz | 1 | 2 | GREŃA Tobias  | 00s1-10   | 2:19 |
| 2     | BROŻEK Mateusz | 1 | 3 | GOLICH Albert | 10s2-00s1 | 4:47 |
| 3     | GREŃA Tobias   | 2 | 3 | GOLICH Albert | 10-00     | 1:32 |

## Results

| Pos | Name                        |
|-----|-----------------------------|
| 1   | GREŃA Tobias, SVK/TJMLPP    |
| 2   | BROŻEK Mateusz, POL/KSBŁTAR |
| 3   | GOLICH Albert, CZE/JCHAVIŘ  |

# MVC Poprad 19.10.2019 MU15-46

## Competitors

Competitors: 5

| # | Name           | Club         | 1  | 2 | 3  | 4  | 5  | Wins | Pts | Pos |
|---|----------------|--------------|----|---|----|----|----|------|-----|-----|
| 1 | BODOR Kornel   | SVK/TJMRS    |    |   | 10 | 10 | 10 | 3    | 30  | 2   |
| 2 | TITKO Simon    | SVK/MŠKVnT   | 10 |   | 10 |    | 10 | 3    | 30  | 1   |
| 3 | REMIÁŠ Artur   | SVK/JKKECCPP |    |   |    |    |    | 0    | 0   | 5   |
| 4 | NOVOTNÝ Michal | SVK/TJMLPP   |    | 7 | 10 |    | 10 | 3    | 27  | 3   |
| 5 | DLUGOŠ Adam    | SVK/TJMLPP   |    |   | 10 |    |    | 1    | 10  | 4   |

## Matches

| Match | White          |   |   | Blue           | Result  | Time |
|-------|----------------|---|---|----------------|---------|------|
| 1     | NOVOTNÝ Michal | 4 | 5 | DLUGOŠ Adam    | 10-00   | 0:11 |
| 2     | BODOR Kornel   | 1 | 2 | TITKO Simon    | 00-10   | 0:07 |
| 3     | REMIÁŠ Artur   | 3 | 4 | NOVOTNÝ Michal | 00-10   | 0:22 |
| 4     | BODOR Kornel   | 1 | 5 | DLUGOŠ Adam    | 10-00   | 0:48 |
| 5     | TITKO Simon    | 2 | 3 | REMIÁŠ Artur   | 10-00   | 0:15 |
| 6     | BODOR Kornel   | 1 | 4 | NOVOTNÝ Michal | 10-00   | 0:29 |
| 7     | REMIÁŠ Artur   | 3 | 5 | DLUGOŠ Adam    | 00-10   | 0:21 |
| 8     | TITKO Simon    | 2 | 4 | NOVOTNÝ Michal | 00-01s2 | 3:00 |
| 9     | BODOR Kornel   | 1 | 3 | REMIÁŠ Artur   | 10-00   | 0:21 |
| 10    | TITKO Simon    | 2 | 5 | DLUGOŠ Adam    | 11-00   | 0:48 |

## Results

| Pos | Name                       |
|-----|----------------------------|
| 1   | TITKO Simon, SVK/MŠKVnT    |
| 2   | BODOR Kornel, SVK/TJMRS    |
| 3   | NOVOTNÝ Michal, SVK/TJMLPP |
| 4   | DLUGOŠ Adam, SVK/TJMLPP    |
| 5   | REMIÁŠ Artur, SVK/JKKECCPP |



# MVC Poprad 19.10.2019 MU15-50

## Competitors

Competitors: 4

| # | Name             | Club        | 1  | 2  | 3 | 4  | Wins | Pts | Pos |
|---|------------------|-------------|----|----|---|----|------|-----|-----|
| 1 | BORTNYK Valdymir | SVK/DUKLABB |    |    |   |    | 0    | 0   | 4   |
| 2 | MUNKA Matej      | SVK/TJMLZA  | 10 |    |   |    | 1    | 10  | 3   |
| 3 | KAMINSKY Andriy  | UKR/UZHGOR  | 10 | 10 |   | 10 | 3    | 30  | 1   |
| 4 | DEME Samuel      | SVK/TJMRS   | 10 | 10 |   |    | 2    | 20  | 2   |

## Matches

| Match | White            |   |   | Blue            | Result | Time |
|-------|------------------|---|---|-----------------|--------|------|
| 1     | BORTNYK Valdymir | 1 | 2 | MUNKA Matej     | 00-10  | 0:27 |
| 2     | KAMINSKY Andriy  | 3 | 4 | DEME Samuel     | 11-00  | 0:30 |
| 3     | BORTNYK Valdymir | 1 | 3 | KAMINSKY Andriy | 00-10  | 0:59 |
| 4     | MUNKA Matej      | 2 | 4 | DEME Samuel     | 00-10  | 1:39 |
| 5     | BORTNYK Valdymir | 1 | 4 | DEME Samuel     | 00-10  | 0:11 |
| 6     | MUNKA Matej      | 2 | 3 | KAMINSKY Andriy | 00-10  | 0:08 |

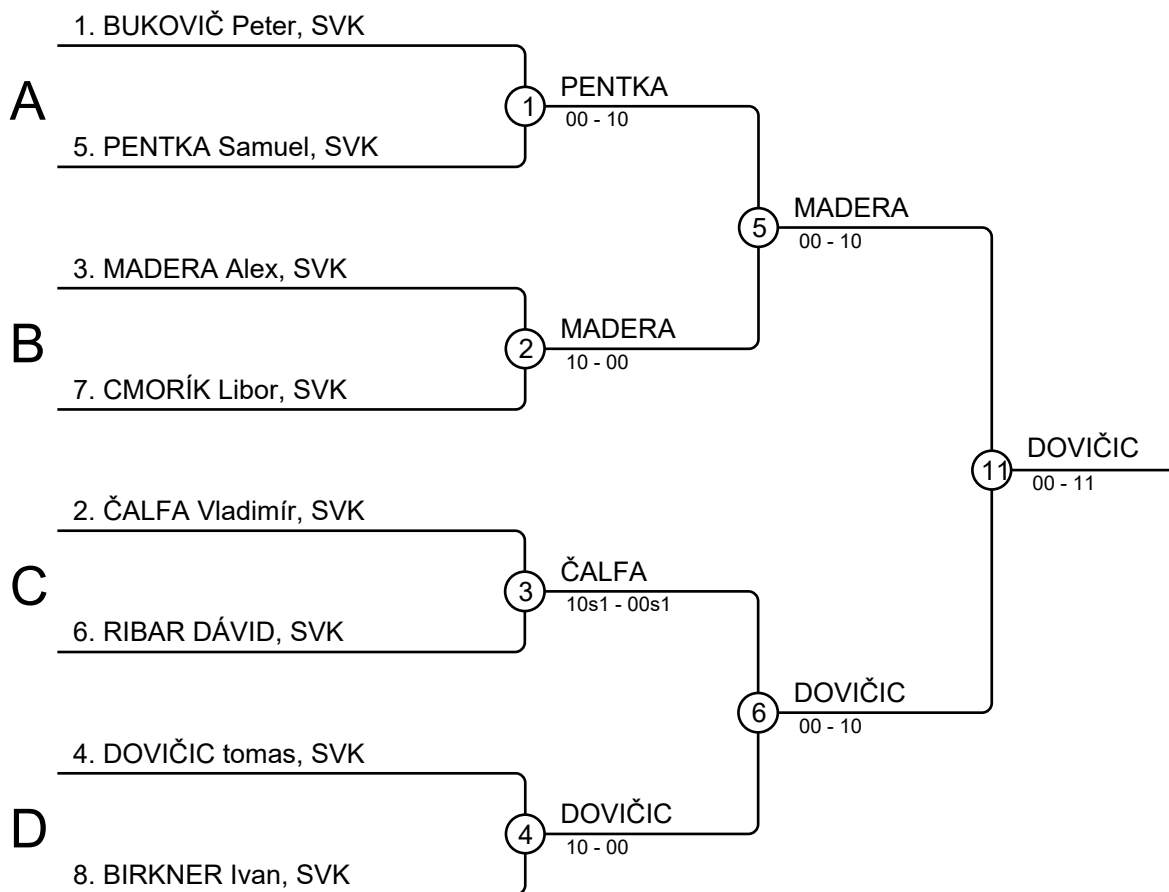
## Results

| Pos | Name                          |
|-----|-------------------------------|
| 1   | KAMINSKY Andriy, UKR/UZHGOR   |
| 2   | DEME Samuel, SVK/TJMRS        |
| 3   | MUNKA Matej, SVK/TJMLZA       |
| 4   | BORTNYK Valdymir, SVK/DUKLABB |

# MVC Poprad 19.10.2019

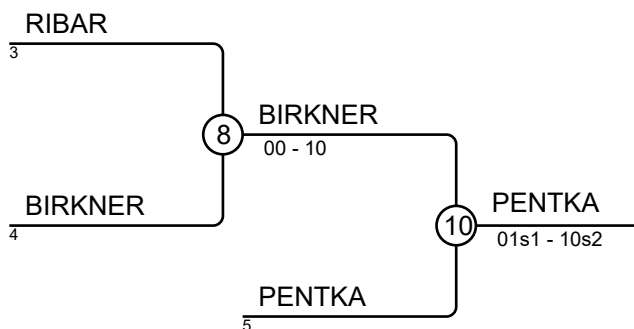
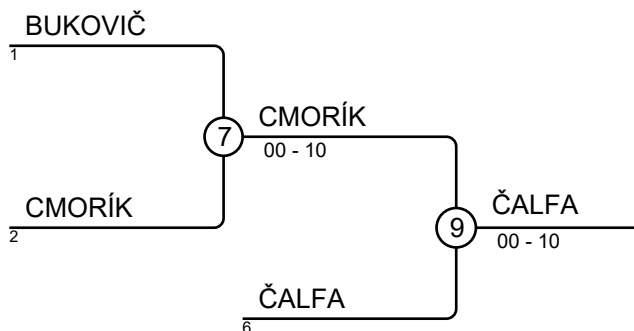
# MU15-55

Competitors: 8



## Results

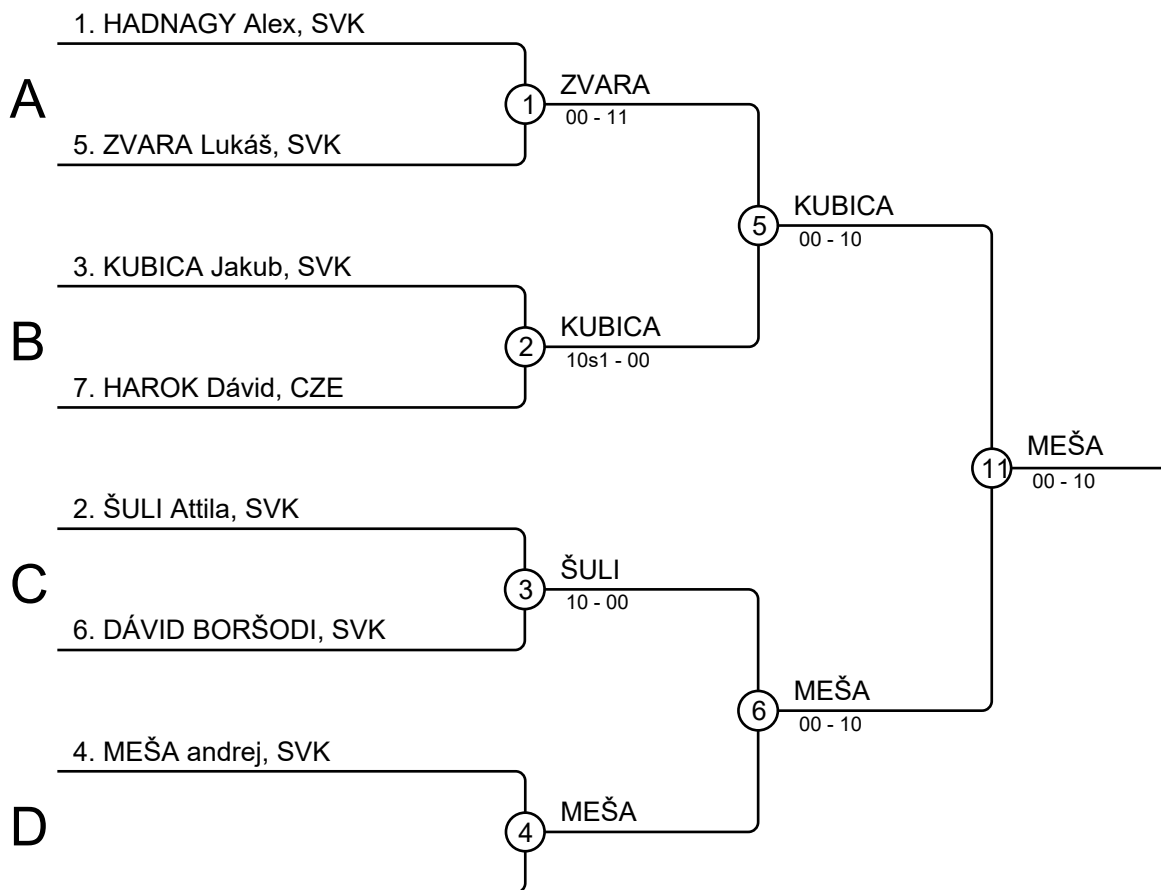
| Pos | Name                       |
|-----|----------------------------|
| 1   | DOVIČIC tomas, SVK/JKKATLC |
| 2   | MADERA Alex, SVK/JCBB      |
| 3   | ČALFA Vladimír, SVK/MŠKVnT |
| 3   | PENTKA Samuel, SVK/JUNLC   |
| 5   | CMORÍK Libor, SVK/SKPBB    |
| 5   | BIRKNER Ivan, SVK/TJPUPO   |
| 7   | BUKOVIČ Peter, SVK/TJMLPP  |
| 7   | RIBAR DÁVID, SVK/TJSOKBA   |



# MVC Poprad 19.10.2019

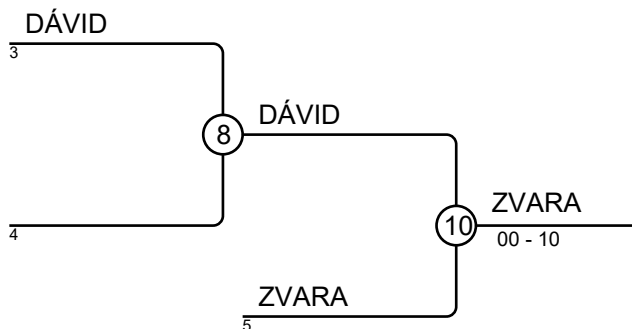
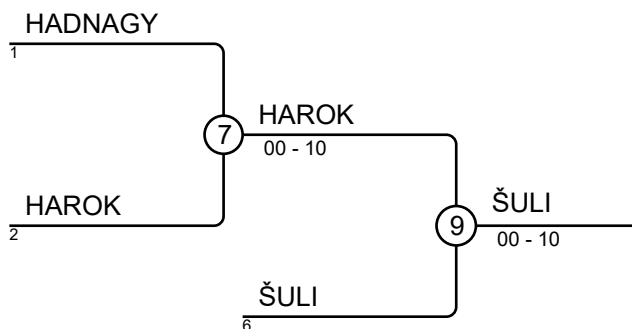
# MU15-60

Competitors: 7



## Results

| Pos | Name                       |
|-----|----------------------------|
| 1   | MEŠA andrej, SVK/JKKATLC   |
| 2   | KUBICA Jakub, SVK/JCZTSMT  |
| 3   | ŠULI Attila, SVK/JUNLC     |
| 3   | ZVARA Lukáš, SVK/TJMRS     |
| 5   | HAROK Dávid, CZE/JCHAVIŘ   |
| 5   | DÁVID BORŠODI, SVK/JCRV    |
| 7   | HADNAGY Alex, SVK/JKKECCPP |
| 7   |                            |



# MVC Poprad 19.10.2019 MU15-66

## Competitors

Competitors: 5

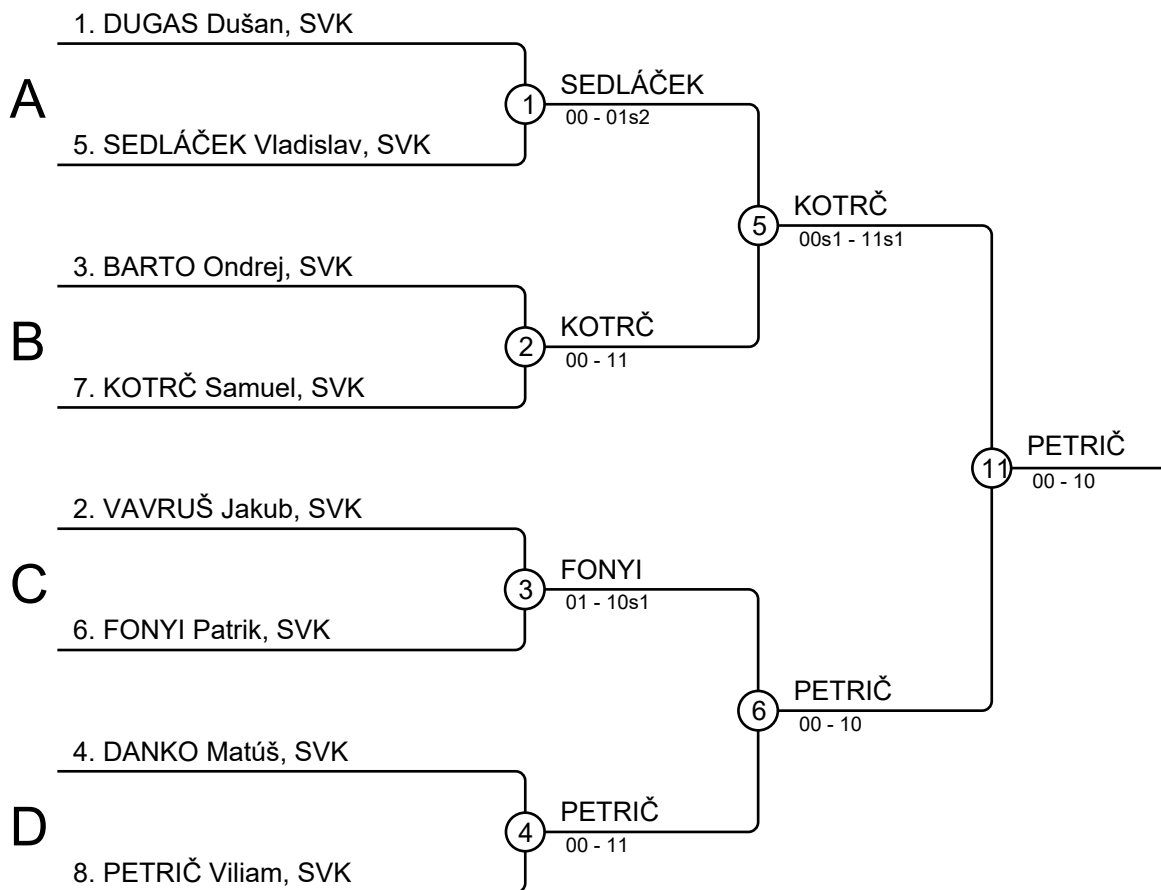
| # | Name            | Club        | 1 | 2  | 3  | 4  | 5  | Wins | Pts | Pos |
|---|-----------------|-------------|---|----|----|----|----|------|-----|-----|
| 1 | HOMOLA Nicolas  | SVK/TJSOKPD |   | 10 | 10 | 10 | 10 | 4    | 40  | 1   |
| 2 | SMOLARIK Marián | SVK/TJSOKBA |   |    | 10 | 10 |    | 2    | 20  | 3   |
| 3 | HAMBOR Michal   | SVK/DKSNV   |   |    |    | 10 |    | 1    | 10  | 4   |
| 4 | PALKOVIČ Adam   | SVK/SKPBB   |   |    |    |    |    | 0    | 0   | 5   |
| 5 | FRIČ Dávid      | SVK/TJMLZA  |   | 10 | 10 | 10 |    | 3    | 30  | 2   |

## Matches

| Match | White           |   |   | Blue            | Result  | Time |
|-------|-----------------|---|---|-----------------|---------|------|
| 1     | PALKOVIČ Adam   | 4 | 5 | FRIČ Dávid      | 00-10   | 0:06 |
| 2     | HOMOLA Nicolas  | 1 | 2 | SMOLARIK Marián | 10-00s1 | 0:30 |
| 3     | HAMBOR Michal   | 3 | 4 | PALKOVIČ Adam   | 10-00   | 0:05 |
| 4     | HOMOLA Nicolas  | 1 | 5 | FRIČ Dávid      | 10-00   | 0:27 |
| 5     | SMOLARIK Marián | 2 | 3 | HAMBOR Michal   | 10-00   | 0:40 |
| 6     | HOMOLA Nicolas  | 1 | 4 | PALKOVIČ Adam   | 10-00   | 0:17 |
| 7     | HAMBOR Michal   | 3 | 5 | FRIČ Dávid      | 00-11   | 0:43 |
| 8     | SMOLARIK Marián | 2 | 4 | PALKOVIČ Adam   | 10-00   | 0:26 |
| 9     | HOMOLA Nicolas  | 1 | 3 | HAMBOR Michal   | 10-00   | 0:18 |
| 10    | SMOLARIK Marián | 2 | 5 | FRIČ Dávid      | 00s1-10 | 1:35 |

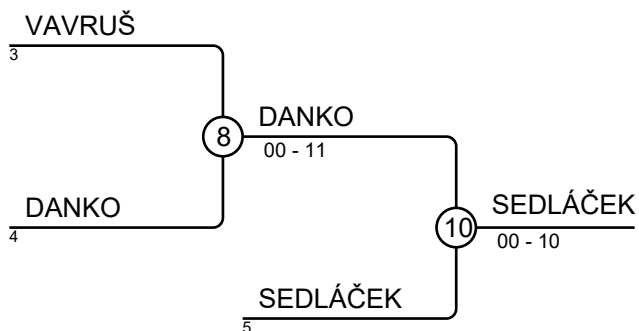
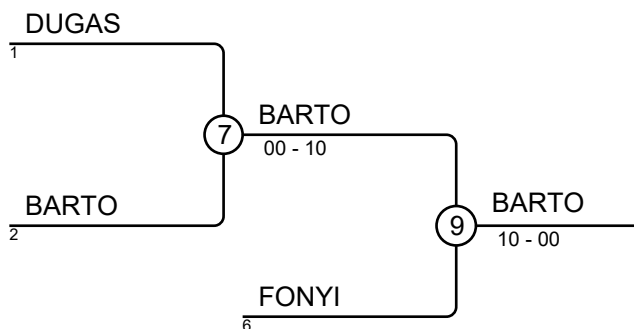
## Results

| Pos | Name                         |
|-----|------------------------------|
| 1   | HOMOLA Nicolas, SVK/TJSOKPD  |
| 2   | FRIČ Dávid, SVK/TJMLZA       |
| 3   | SMOLARIK Marián, SVK/TJSOKBA |
| 4   | HAMBOR Michal, SVK/DKSNV     |
| 5   | PALKOVIČ Adam, SVK/SKPBB     |



## Results

| Pos | Name                            |
|-----|---------------------------------|
| 1   | PETRIČ Viliam, SVK/SKM          |
| 2   | KOTRČ Samuel, SVK/JSANKnM       |
| 3   | BARTO Ondrej, SVK/SKPBB         |
| 3   | SEDLÁČEK Vladislav, SVK/JTATSVI |
| 5   | FONYI Patrik, SVK/JUKE          |
| 5   | DANKO Matúš, SVK/TJMLZA         |
| 7   | DUGAS Dušan, SVK/JUKE           |
| 7   | VAVRUŠ Jakub, SVK/ZTSDnV        |



# MVC Poprad 19.10.2019 MU15+73

## Competitors

Competitors: 5

| # | Name          | Club        | 1  | 2  | 3 | 4  | 5  | Wins | Pts | Pos |
|---|---------------|-------------|----|----|---|----|----|------|-----|-----|
| 1 | OMÁMIK Matej  | SVK/JKSPB   |    | 10 |   |    |    | 1    | 10  | 4   |
| 2 | ŠIMON Adam    | SVK/JKSOB   |    |    |   |    |    | 0    | 0   | 5   |
| 3 | BALOGH Robert | SVK/LOKRS   | 10 | 10 |   | 10 | 10 | 4    | 40  | 1   |
| 4 | BENDAS Daniel | SVK/MŠKVnT  | 10 | 10 |   |    | 10 | 3    | 30  | 2   |
| 5 | TOTH Michal   | SVK/TJSOKBA | 7  | 10 |   |    |    | 2    | 17  | 3   |

## Matches

| Match | White         |   |   | Blue          | Result    | Time |
|-------|---------------|---|---|---------------|-----------|------|
| 1     | BENDAS Daniel | 4 | 5 | TOTH Michal   | 10-00s1   | 1:59 |
| 2     | OMÁMIK Matej  | 1 | 2 | ŠIMON Adam    | 10-00s2   | 0:40 |
| 3     | BALOGH Robert | 3 | 4 | BENDAS Daniel | 11-00     | 0:32 |
| 4     | OMÁMIK Matej  | 1 | 5 | TOTH Michal   | 00s1-01s1 | 3:00 |
| 5     | ŠIMON Adam    | 2 | 3 | BALOGH Robert | 00-10     | 0:06 |
| 6     | OMÁMIK Matej  | 1 | 4 | BENDAS Daniel | 00-10     | 0:49 |
| 7     | BALOGH Robert | 3 | 5 | TOTH Michal   | 10-00     | 0:20 |
| 8     | ŠIMON Adam    | 2 | 4 | BENDAS Daniel | 00-10     | 0:08 |
| 9     | OMÁMIK Matej  | 1 | 3 | BALOGH Robert | 00-10     | 0:00 |
| 10    | ŠIMON Adam    | 2 | 5 | TOTH Michal   | 00s2-10s1 | 0:54 |

## Results

| Pos | Name                      |
|-----|---------------------------|
| 1   | BALOGH Robert, SVK/LOKRS  |
| 2   | BENDAS Daniel, SVK/MŠKVnT |
| 3   | TOTH Michal, SVK/TJSOKBA  |
| 4   | OMÁMIK Matej, SVK/JKSPB   |
| 5   | ŠIMON Adam, SVK/JKSOB     |

# MVC Poprad 19.10.2019 WU18-48

## Competitors

Competitors: 1

| # | Name           | Club        | 1 | Wins | Pts | Pos |
|---|----------------|-------------|---|------|-----|-----|
| 1 | TOROKOVA petra | SVK/JKKATLC |   | 0    | 0   | 1   |

## Matches

| Match | White | Blue | Result | Time |
|-------|-------|------|--------|------|
|-------|-------|------|--------|------|

## Results

| Pos | Name                        |
|-----|-----------------------------|
| 1   | TOROKOVA petra, SVK/JKKATLC |

# MVC Poprad 19.10.2019 WU18-52

## Competitors

Competitors: 4

| # | Name               | Club        | 1  | 2  | 3  | 4 | Wins | Pts | Pos |
|---|--------------------|-------------|----|----|----|---|------|-----|-----|
| 1 | BUKOVČANOVÁ Sarah  | SVK/SKUMBBB |    |    |    |   | 0    | 0   | 4   |
| 2 | VASILOVÁ Veronika  | SVK/MŠKVnT  | 10 |    | 10 |   | 2    | 20  | 2   |
| 3 | OLENIČOVÁ Katarína | SVK/JUKE    | 10 |    |    |   | 1    | 10  | 3   |
| 4 | MILOVÁ Rebeka      | SVK/TJMLZA  | 10 | 10 | 10 |   | 3    | 30  | 1   |

## Matches

| Match | White              |   |   | Blue               | Result  | Time |
|-------|--------------------|---|---|--------------------|---------|------|
| 1     | BUKOVČANOVÁ Sarah  | 1 | 2 | VASILOVÁ Veronika  | 00-10   | 1:42 |
| 2     | OLENIČOVÁ Katarína | 3 | 4 | MILOVÁ Rebeka      | 00-10   | 0:15 |
| 3     | BUKOVČANOVÁ Sarah  | 1 | 3 | OLENIČOVÁ Katarína | 01-10   | 0:47 |
| 4     | VASILOVÁ Veronika  | 2 | 4 | MILOVÁ Rebeka      | 00s1-10 | 3:39 |
| 5     | BUKOVČANOVÁ Sarah  | 1 | 4 | MILOVÁ Rebeka      | 00-11   | 0:40 |
| 6     | VASILOVÁ Veronika  | 2 | 3 | OLENIČOVÁ Katarína | 10-00   | 0:42 |

## Results

| Pos | Name                           |
|-----|--------------------------------|
| 1   | MILOVÁ Rebeka, SVK/TJMLZA      |
| 2   | VASILOVÁ Veronika, SVK/MŠKVnT  |
| 3   | OLENIČOVÁ Katarína, SVK/JUKE   |
| 4   | BUKOVČANOVÁ Sarah, SVK/SKUMBBB |



# MVC Poprad 19.10.2019 WU18-63

## Competitors

Competitors: 4

| # | Name                    | Club         | 1 | 2  | 3  | 4 | Wins | Pts | Pos |
|---|-------------------------|--------------|---|----|----|---|------|-----|-----|
| 1 | SZTANKOVICS Bolda Zonga | SVK/TJMRS    |   | 10 | 10 | 1 | 3    | 21  | 1   |
| 2 | ŠPINEROVÁ Sára          | SVK/DKSNV    |   |    |    |   | 0    | 0   | 4   |
| 3 | ROZOWSKA Małgorzata     | POL/KSBŁTAR  |   | 10 |    |   | 1    | 10  | 3   |
| 4 | ZUZANA Mikolajčíková    | SVK/JKKECCPP |   | 1  | 10 |   | 2    | 11  | 2   |

## Matches

| Match | White                       | Blue                 | Result | Time |
|-------|-----------------------------|----------------------|--------|------|
| 1     | SZTANKOVICS Bolda Zonga 1 2 | ŠPINEROVÁ Sára       | 10-00  | 0:56 |
| 2     | ROZOWSKA Małgorzata 3 4     | ZUZANA Mikolajčíková | 01-10  | 1:37 |
| 3     | SZTANKOVICS Bolda Zonga 1 3 | ROZOWSKA Małgorzata  | 10-00  | 1:25 |
| 4     | ŠPINEROVÁ Sára 2 4          | ZUZANA Mikolajčíková | 00-01  | 6:00 |
| 5     | SZTANKOVICS Bolda Zonga 1 4 | ZUZANA Mikolajčíková | 01-00  | 6:00 |
| 6     | ŠPINEROVÁ Sára 2 3          | ROZOWSKA Małgorzata  | 00-11  | 0:47 |

## Results

| Pos | Name                               |
|-----|------------------------------------|
| 1   | SZTANKOVICS Bolda Zonga, SVK/TJMRS |
| 2   | ZUZANA Mikolajčíková, SVK/JKKECCPP |
| 3   | ROZOWSKA Małgorzata, POL/KSBŁTAR   |
| 4   | ŠPINEROVÁ Sára, SVK/DKSNV          |

# MVC Poprad 19.10.2019 WU18-70

## Competitors

Competitors: 2

| # | Name              | Club        | 1 | 2  | 1 | 2  | 1 | 2 | Wins | Pts | Pos |
|---|-------------------|-------------|---|----|---|----|---|---|------|-----|-----|
| 1 | ČELKOVÁ Nikola    | SVK/JKSPB   |   | 10 |   | 10 |   |   | 2    | 20  | 1   |
| 2 | HUDÁČKOVÁ Barbora | SVK/SKUMBBB |   |    |   |    |   |   | 0    | 0   | 2   |

## Matches

| Match | White          |   |   | Blue              | Result    | Time |
|-------|----------------|---|---|-------------------|-----------|------|
| 1     | ČELKOVÁ Nikola | 1 | 2 | HUDÁČKOVÁ Barbora | 11-00     | 0:53 |
| 2     | ČELKOVÁ Nikola | 1 | 2 | HUDÁČKOVÁ Barbora | 11s2-00s1 | 1:13 |
| 3     | ČELKOVÁ Nikola | 1 | 2 | HUDÁČKOVÁ Barbora |           |      |

## Results

| Pos | Name                           |
|-----|--------------------------------|
| 1   | ČELKOVÁ Nikola, SVK/JKSPB      |
| 2   | HUDÁČKOVÁ Barbora, SVK/SKUMBBB |

# MVC Poprad 19.10.2019 MU18-50

## Competitors

Competitors: 3

| # | Name             | Club        | 1  | 2  | 3 | Wins | Pts | Pos |
|---|------------------|-------------|----|----|---|------|-----|-----|
| 1 | OLHA František   | SVK/SKKR    |    |    |   | 0    | 0   | 3   |
| 2 | CHRISTOFER LOVAŠ | SVK/JCRV    | 10 |    |   | 1    | 10  | 2   |
| 3 | MAJZLÍK Daniel   | SVK/SKPZLIN | 10 | 10 |   | 2    | 20  | 1   |

## Matches

| Match | White            |   |   | Blue             | Result  | Time |
|-------|------------------|---|---|------------------|---------|------|
| 1     | OLHA František   | 1 | 2 | CHRISTOFER LOVAŠ | 01-10   | 1:25 |
| 2     | OLHA František   | 1 | 3 | MAJZLÍK Daniel   | 00s3-10 | 3:11 |
| 3     | CHRISTOFER LOVAŠ | 2 | 3 | MAJZLÍK Daniel   | 00-10   | 0:19 |

## Results

| Pos | Name                        |
|-----|-----------------------------|
| 1   | MAJZLÍK Daniel, SVK/SKPZLIN |
| 2   | CHRISTOFER LOVAŠ, SVK/JCRV  |
| 3   | OLHA František, SVK/SKKR    |

# MVC Poprad 19.10.2019 MU18-55

## Competitors

Competitors: 4

| # | Name          | Club        | 1 | 2  | 3  | 4  | Wins | Pts | Pos |
|---|---------------|-------------|---|----|----|----|------|-----|-----|
| 1 | KÓŠIK Bruno   | SVK/TJMRS   |   | 10 | 10 | 10 | 3    | 30  | 1   |
| 2 | HAMADEJ Filip | SVK/SKZMI   |   |    | 10 | 10 | 2    | 20  | 2   |
| 3 | KULFAS Tomáš  | SVK/SKPBB   |   |    |    |    | 0    | 0   | 4   |
| 4 | KNEIFEL Filip | SVK/SKPZLIN |   |    | 10 |    | 1    | 10  | 3   |

## Matches

| Match | White         |   |   | Blue          | Result | Time |
|-------|---------------|---|---|---------------|--------|------|
| 1     | KÓŠIK Bruno   | 1 | 2 | HAMADEJ Filip | 10-00  | 1:30 |
| 2     | KULFAS Tomáš  | 3 | 4 | KNEIFEL Filip | 00-10  | 0:18 |
| 3     | KÓŠIK Bruno   | 1 | 3 | KULFAS Tomáš  | 10-00  | 0:31 |
| 4     | HAMADEJ Filip | 2 | 4 | KNEIFEL Filip | 10-00  | 1:38 |
| 5     | KÓŠIK Bruno   | 1 | 4 | KNEIFEL Filip | 11-00  | 2:43 |
| 6     | HAMADEJ Filip | 2 | 3 | KULFAS Tomáš  | 10-00  | 0:06 |

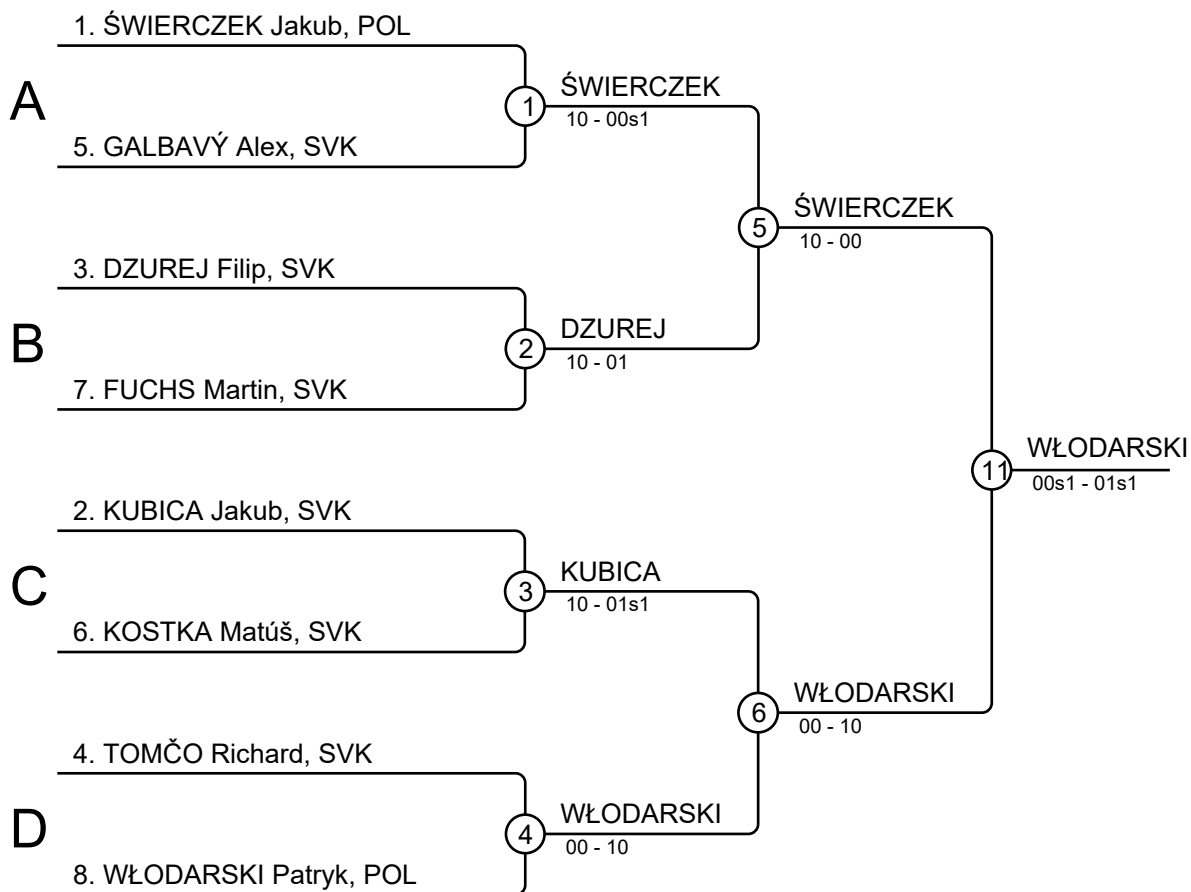
## Results

| Pos | Name                       |
|-----|----------------------------|
| 1   | KÓŠIK Bruno, SVK/TJMRS     |
| 2   | HAMADEJ Filip, SVK/SKZMI   |
| 3   | KNEIFEL Filip, SVK/SKPZLIN |
| 4   | KULFAS Tomáš, SVK/SKPBB    |

# MVC Poprad 19.10.2019

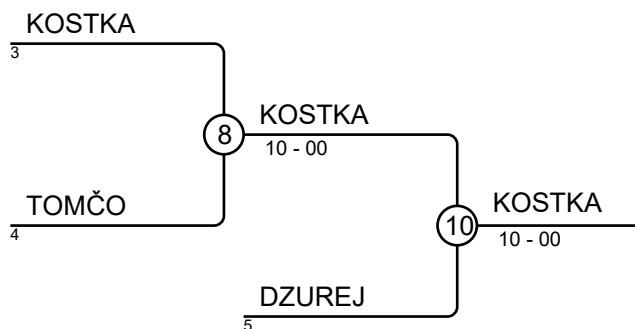
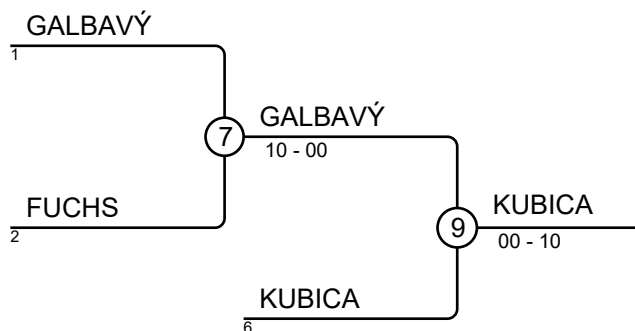
# MU18-60

Competitors: 8



## Results

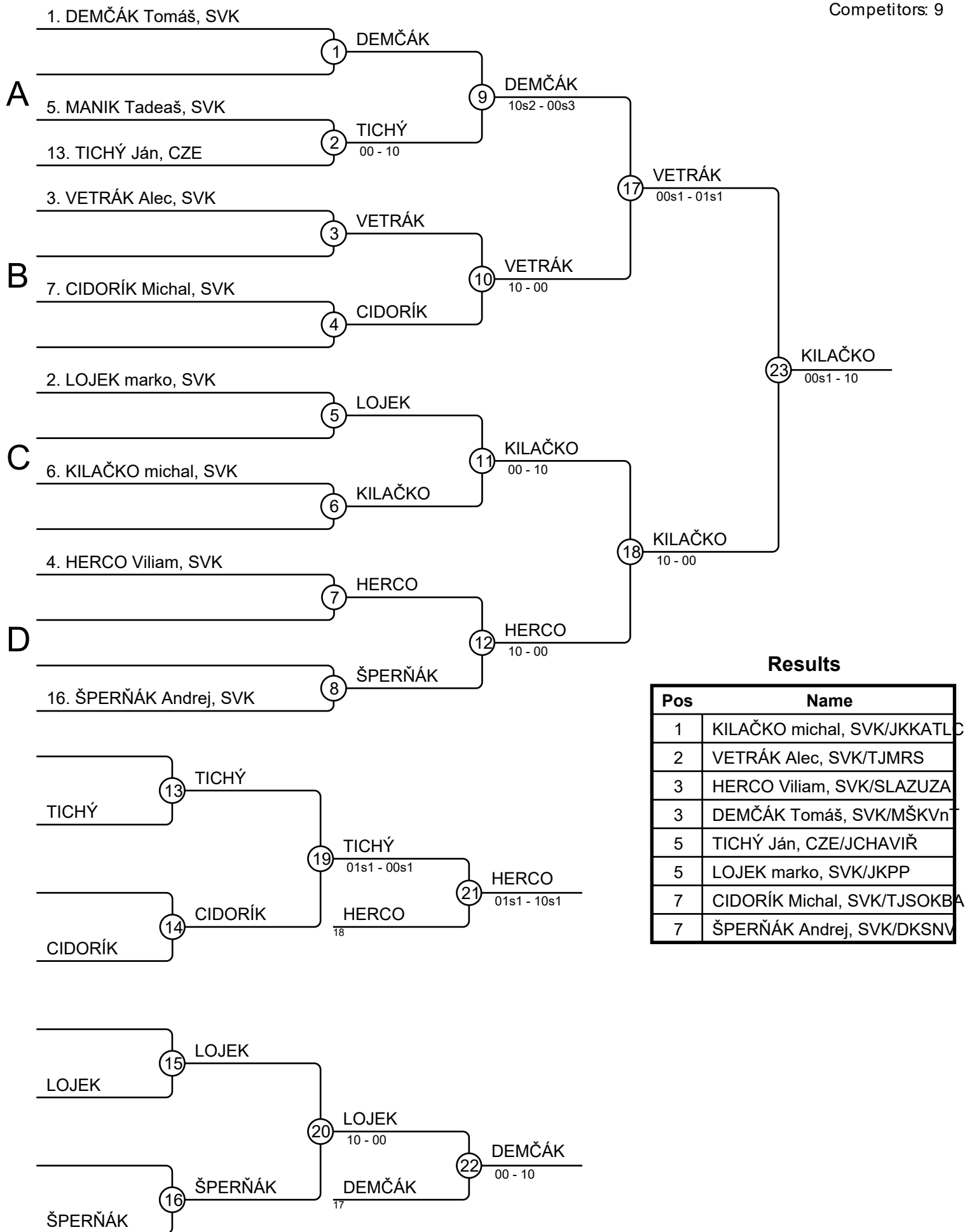
| Pos | Name                          |
|-----|-------------------------------|
| 1   | WŁODARSKI Patryk, POL/KSBLTAR |
| 2   | ŚWIERCZEK Jakub, POL/KSBLTAR  |
| 3   | KUBICA Jakub, SVK/JCZTSMT     |
| 3   | KOSTKA Matúš, SVK/JKKECCPP    |
| 5   | GALBAVÝ Alex, SVK/JUKE        |
| 5   | DZUREJ Filip, SVK/DKSNV       |
| 7   | FUCHS Martin, SVK/JKKECCPP    |
| 7   | TOMČO Richard, SVK/JUKE       |



# MVC Poprad 19.10.2019

# MU18-66

Competitors: 9



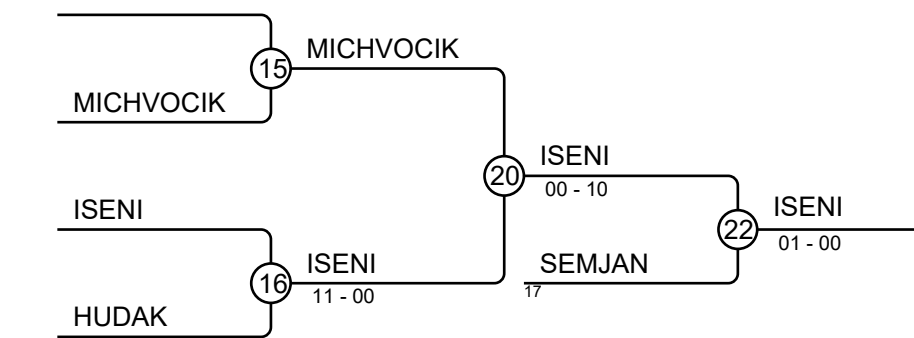
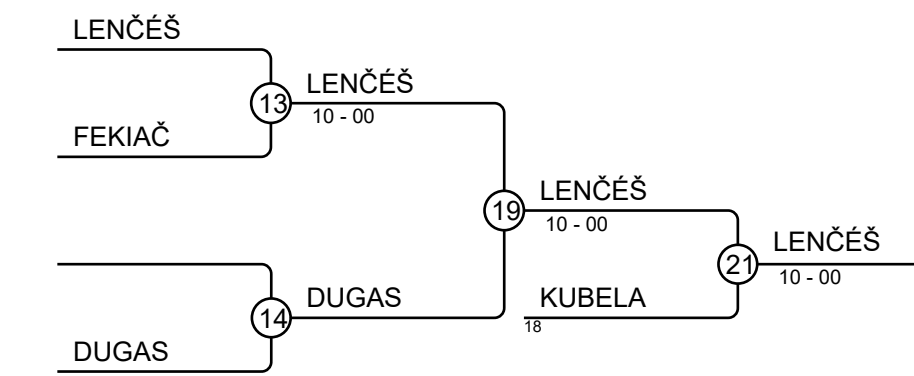
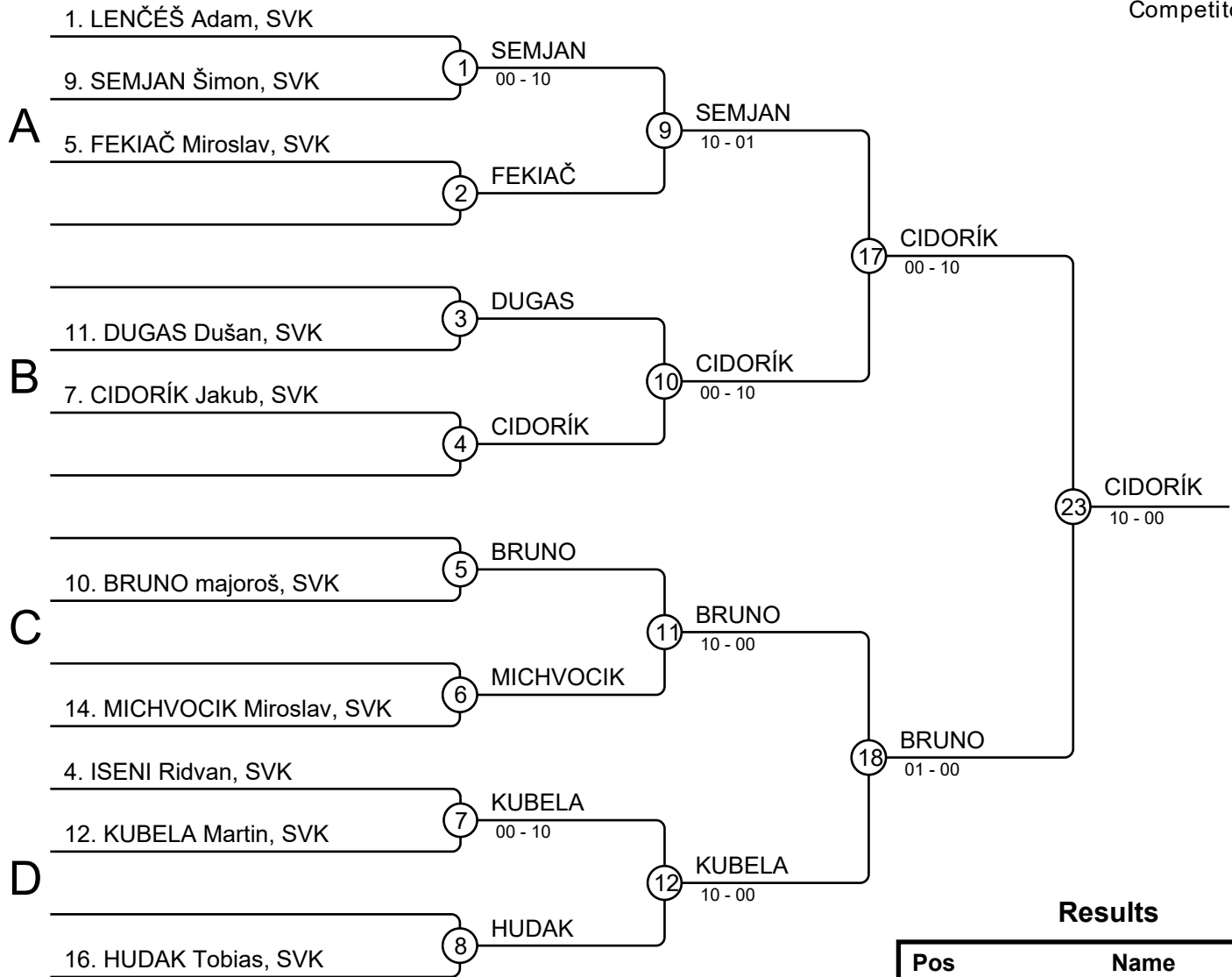
## Results

| Pos | Name                        |
|-----|-----------------------------|
| 1   | KILAČKO michal, SVK/JKKATLC |
| 2   | VETRÁK Alec, SVK/TJMRS      |
| 3   | HERCO Viliam, SVK/SLAZUZA   |
| 3   | DEMČÁK Tomáš, SVK/MŠKVnT    |
| 5   | TICHÝ Ján, CZE/JCHAVIŘ      |
| 5   | LOJEK marko, SVK/JKPP       |
| 7   | CIDORÍK Michal, SVK/TJSOKBA |
| 7   | ŠPERŇÁK Andrej, SVK/DKSNV   |

# MVC Poprad 19.10.2019

# MU18-73

Competitors: 10



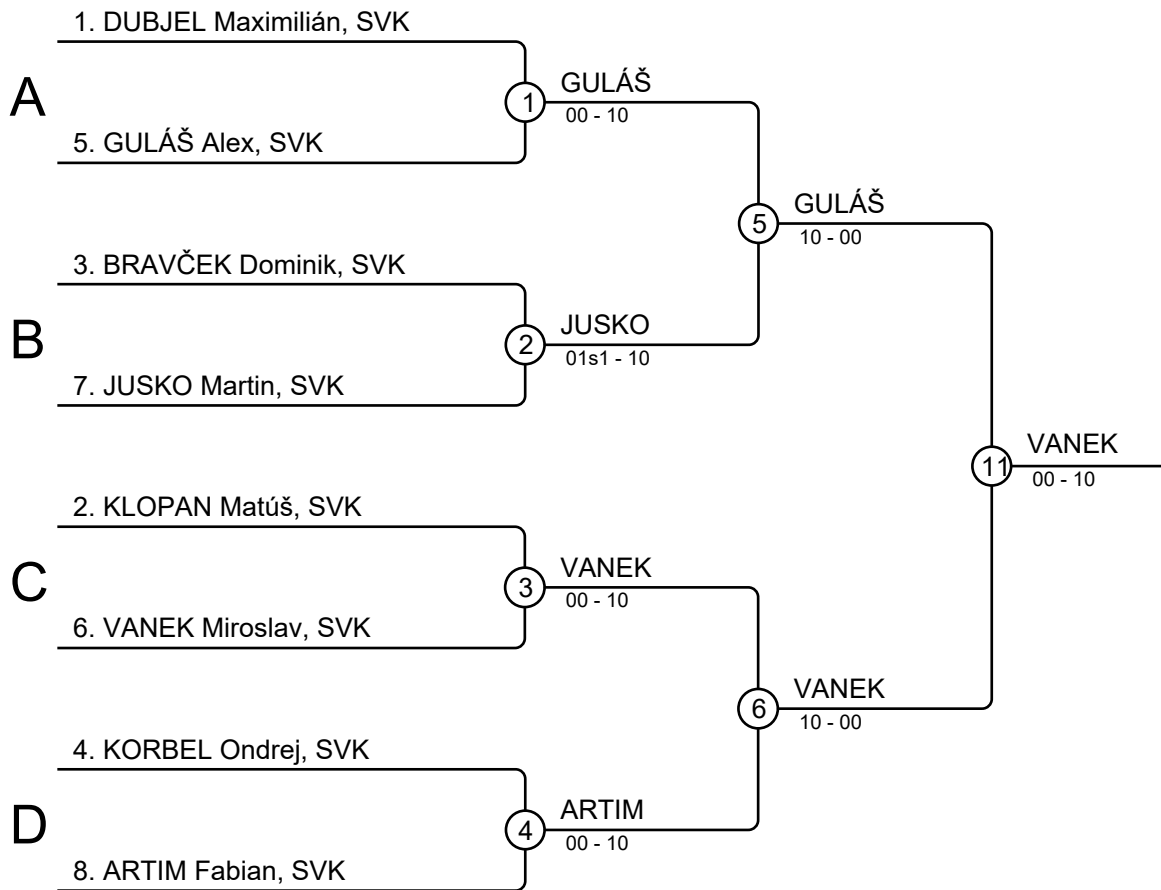
## Results

| Pos | Name                            |
|-----|---------------------------------|
| 1   | CIDORÍK Jakub, SVK/TJSOKBA      |
| 2   | BRUNO majoroš, SVK/JKKATLC      |
| 3   | LENČEŠ Adam, SVK/JKKECCFP       |
| 3   | ISENI Ridvan, SVK/TJMLPP        |
| 5   | KUBELA Martin, SVK/JUKE         |
| 5   | SEMJAN Šimon, SVK/SKZMI         |
| 7   | DUGAS Dušan, SVK/JUKE           |
| 7   | MICHVOCIK Miroslav, SVK/TJSOKBA |

# MVC Poprad 19.10.2019

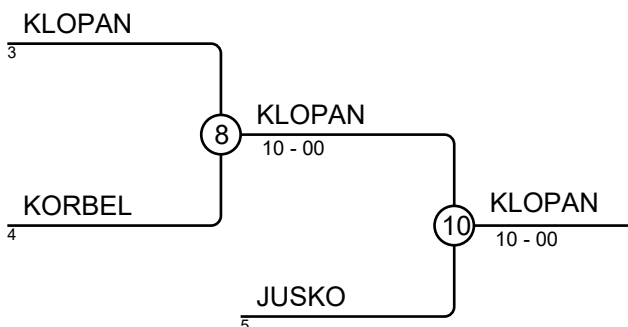
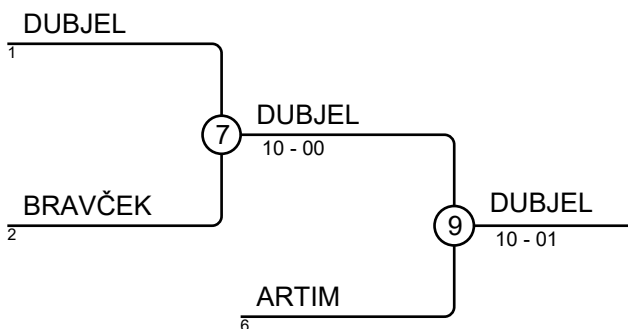
# MU18-81

Competitors: 8



## Results

| Pos | Name                            |
|-----|---------------------------------|
| 1   | VANEK Miroslav, SVK/JCBB        |
| 2   | GULÁŠ Alex, SVK/TJSOKPD         |
| 3   | DUBJEL Maximilián, SVK/JKKECCPD |
| 3   | KLOPAN Matúš, SVK/TJSOKPD       |
| 5   | ARTIM Fabian, SVK/JCBB          |
| 5   | JUSKO Martin, SVK/JCBB          |
| 7   | BRAVČEK Dominik, SVK/SLAZUZA    |
| 7   | KORBEL Ondrej, SVK/TJMLZA       |





# MVC Poprad 19.10.2019 MU18-90

## Competitors

Competitors: 2

| # | Name         | Club        | 1  | 2 | 1  | 2 | 1 | 2 | Wins | Pts | Pos |
|---|--------------|-------------|----|---|----|---|---|---|------|-----|-----|
| 1 | MILÝ Bruno   | SVK/SKM     |    |   |    |   |   |   | 0    | 0   | 2   |
| 2 | KLOPAN Mário | SVK/TJSOKPD | 10 |   | 10 |   |   |   | 2    | 20  | 1   |

## Matches

| Match | White      |   |   | Blue         | Result | Time |
|-------|------------|---|---|--------------|--------|------|
| 1     | MILÝ Bruno | 1 | 2 | KLOPAN Mário | 00-10  | 0:25 |
| 2     | MILÝ Bruno | 1 | 2 | KLOPAN Mário | 00-10  | 0:15 |
| 3     | MILÝ Bruno | 1 | 2 | KLOPAN Mário |        |      |

## Results

| Pos | Name                      |
|-----|---------------------------|
| 1   | KLOPAN Mário, SVK/TJSOKPD |
| 2   | MILÝ Bruno, SVK/SKM       |

# MVC Poprad 19.10.2019 MU18+90

## Competitors

Competitors: 2

| # | Name           | Club        | 1  | 2 | 1  | 2 | 1 | 2 | Wins | Pts | Pos |
|---|----------------|-------------|----|---|----|---|---|---|------|-----|-----|
| 1 | POTOMA Gabriel | SVK/MŠKVnT  |    |   |    |   |   |   | 0    | 0   | 2   |
| 2 | MJARTAN Adam   | SVK/TJSOKPD | 10 |   | 10 |   |   |   | 2    | 20  | 1   |

## Matches

| Match | White          |   |   | Blue         | Result | Time |
|-------|----------------|---|---|--------------|--------|------|
| 1     | POTOMA Gabriel | 1 | 2 | MJARTAN Adam | 00-10  | 0:51 |
| 2     | POTOMA Gabriel | 1 | 2 | MJARTAN Adam | 00-10  | 1:25 |
| 3     | POTOMA Gabriel | 1 | 2 | MJARTAN Adam |        |      |

## Results

| Pos | Name                       |
|-----|----------------------------|
| 1   | MJARTAN Adam, SVK/TJSOKPD  |
| 2   | POTOMA Gabriel, SVK/MŠKVnT |