

45 MVC 13.06.2015 Michalovce MU8-15

Competitors: 1

Competitors

#	Name	Grade	Club	1	Wins	Pts	Pos
1	KOROLIN HAMADEJOVA	?	ŠK Zemplín MI		0	0	1

Matches

Match	White	Blue	Result	Time
-------	-------	------	--------	------

Results

Pos	Name
1	KOROLIN HAMADEJOVA, ŠK Zemplín MI

45 MVC 13.06.2015 Michalovce MU8-20

Competitors: 3

Competitors

#	Name	Grade	Club	1	2	3	Wins	Pts	Pos
1	Rastislav ROHUN	?	ŠK Zemplín MI		10		1	10	2
2	MIRIAM HAMADEJOVA	?	ŠK Zemplín MI				0	0	3
3	DANIEL COSTINA	?	ARAD	10	10		2	20	1

Matches

Match	White			Blue	Result	Time
1	Rastislav ROHUN	1	2	MIRIAM HAMADEJOVA	10 - 0	0:21
2	Rastislav ROHUN	1	3	DANIEL COSTINA	0 - 10	0:03
3	MIRIAM HAMADEJOVA	2	3	DANIEL COSTINA	0 - 10	0:01

Results

Pos	Name
1	DANIEL COSTINA, ARAD
2	Rastislav ROHUN, ŠK Zemplín MI
3	MIRIAM HAMADEJOVA, ŠK Zemplín MI

45 MVC 13.06.2015 Michalovce MU8-21

Competitors: 3

Competitors

#	Name	Grade	Club	1	2	3	Wins	Pts	Pos
1	Jana MIDLIKOVÁ	?	ŠK Zemplín MI		10		1	10	2
2	ANDY HAJDUK	?	ŠK Zemplín MI				0	0	3
3	Nella Sofie DEMČÁKOVÁ	?	ŠK Zemplín MI	10	10		2	20	1

Matches

Match	White			Blue	Result	Time
1	Jana MIDLIKOVÁ	1	2	ANDY HAJDUK	10 - 0	0:00
2	Jana MIDLIKOVÁ	1	3	Nella Sofie DEMČÁKOVÁ	0 - 10	0:03
3	ANDY HAJDUK	2	3	Nella Sofie DEMČÁKOVÁ	0 - 10	0:00

Results

Pos	Name
1	Nella Sofie DEMČÁKOVÁ, ŠK Zemplín MI
2	Jana MIDLIKOVÁ, ŠK Zemplín MI
3	ANDY HAJDUK, ŠK Zemplín MI

45 MVC 13.06.2015 Michalovce MU8-22

Competitors: 4

Competitors

#	Name	Grade	Club	1	2	3	4	Wins	Pts	Pos
1	AMALIE SCERBOVA	?	TJ Ostrava					0	0	4
2	VACLAV BECKA	?	TJ Ostrava	10				1	10	3
3	Marek MACEJKA	?	1. JC PEZINOK	10	7		5	3	22	1
4	DAVID TANCA	?	ARAD	10	7			2	17	2

Matches

Match	White			Blue	Result	Time
1	AMALIE SCERBOVA	1	2	VACLAV BECKA	0 - 10	0:33
2	Marek MACEJKA	3	4	DAVID TANCA	5 - 0	2:00
3	AMALIE SCERBOVA	1	3	Marek MACEJKA	0 - 10	1:25
4	VACLAV BECKA	2	4	DAVID TANCA	0 - 7	2:00
5	AMALIE SCERBOVA	1	4	DAVID TANCA	0 - 10	0:20
6	VACLAV BECKA	2	3	Marek MACEJKA	0 - 7	2:00

Results

Pos	Name
1	Marek MACEJKA, 1. JC PEZINOK
2	DAVID TANCA, ARAD
3	VACLAV BECKA, TJ Ostrava
4	AMALIE SCERBOVA, TJ Ostrava

45 MVC 13.06.2015 Michalovce MU8-24

Competitors: 5

Competitors

#	Name	Grade	Club	1	2	3	4	5	Wins	Pts	Pos
1	Samuel KOPČÍK	?	ŠK Zemplín MI						0	0	5
2	Flora PONUZZS	?	Miskolc Judo SE	10					1	10	4
3	OLEKSIY SOROKOPUD	?	JC SOKOLYA	10	10			10	3	30	2
4	TOMAS MICHAL	?	1. JC PEZINOK	10	10	7		10	4	37	1
5	Nikita GONCHAROV	?	1. JC PEZINOK	10	10				2	20	3

Matches

Match	White		Blue		Result	Time
1	TOMAS MICHAL	4	5	Nikita GONCHAROV	10 - 0	1:56
2	Samuel KOPČÍK	1	2	Flora PONUZZS	0 - 10	0:08
3	OLEKSIY SOROKOPUD	3	4	TOMAS MICHAL	0 - 7	2:00
4	Samuel KOPČÍK	1	5	Nikita GONCHAROV	0 - 10	0:07
5	Flora PONUZZS	2	3	OLEKSIY SOROKOPUD	0 - 10	0:33
6	Samuel KOPČÍK	1	4	TOMAS MICHAL	0 - 10	0:05
7	OLEKSIY SOROKOPUD	3	5	Nikita GONCHAROV	10 - 0	1:08
8	Flora PONUZZS	2	4	TOMAS MICHAL	0 - 10	0:34
9	Samuel KOPČÍK	1	3	OLEKSIY SOROKOPUD	0 - 10	0:06
10	Flora PONUZZS	2	5	Nikita GONCHAROV	0 - 10	0:42

Results

Pos	Name
1	TOMAS MICHAL, 1. JC PEZINOK
2	OLEKSIY SOROKOPUD, JC SOKOLYA
3	Nikita GONCHAROV, 1. JC PEZINOK
4	Flora PONUZZS, Miskolc Judo SE
5	Samuel KOPČÍK, ŠK Zemplín MI

45 MVC 13.06.2015 Michalovce MU8-25

Competitors: 5

Competitors

#	Name	Grade	Club	1	2	3	4	5	Wins	Pts	Pos
1	Martin ZVARA	?	TJ Mladost' RS		10		10	10	3	30	2
2	Maxim KRAUS	?	Slávia STU BA				10	10	2	20	3
3	ARTUR PUSTOKHIN	?	JC SOKOLYA	10	10		10	10	4	40	1
4	SIMON SYKORA	?	ŠK Zemplín MI						0	0	5
5	Jakub KOLESÁR	?	ŠK Zemplín MI				10		1	10	4

Matches

Match	White			Blue	Result	Time
1	SIMON SYKORA	4	5	Jakub KOLESÁR	0 - 10	0:23
2	Martin ZVARA	1	2	Maxim KRAUS	10 - 0	0:29
3	ARTUR PUSTOKHIN	3	4	SIMON SYKORA	10 - 0	0:09
4	Martin ZVARA	1	5	Jakub KOLESÁR	10 - 0	0:34
5	Maxim KRAUS	2	3	ARTUR PUSTOKHIN	0 - 10	0:04
6	Martin ZVARA	1	4	SIMON SYKORA	10 - 0	0:23
7	ARTUR PUSTOKHIN	3	5	Jakub KOLESÁR	10 - 0	0:06
8	Maxim KRAUS	2	4	SIMON SYKORA	10 - 0	0:42
9	Martin ZVARA	1	3	ARTUR PUSTOKHIN	0 - 10	0:40
10	Maxim KRAUS	2	5	Jakub KOLESÁR	10 - 0	0:33

Results

Pos	Name
1	ARTUR PUSTOKHIN, JC SOKOLYA
2	Martin ZVARA, TJ Mladost' RS
3	Maxim KRAUS, Slávia STU BA
4	Jakub KOLESÁR, ŠK Zemplín MI
5	SIMON SYKORA, ŠK Zemplín MI

45 MVC 13.06.2015 Michalovce MU8-26

Competitors: 4

Competitors

#	Name	Grade	Club	1	2	3	4	Wins	Pts	Pos
1	ALEXEJ PLAVCAN	?	TJ MLADOST PP					0	0	4
2	Sofia GÁNOVSKÁ	?	DK SNV	10			10	2	20	2
3	VIACHESLAV PRYKHODKO	?	UZHOROD	10	10		10	3	30	1
4	Claudia MATEJOVÁ	?	ŠK Zemplín MI	10				1	10	3

Matches

Match	White			Blue	Result	Time
1	ALEXEJ PLAVCAN	1	2	Sofia GÁNOVSKÁ	0 - 10	0:49
2	VIACHESLAV PRYKHODKO	3	4	Claudia MATEJOVÁ	10 - 0	0:00
3	ALEXEJ PLAVCAN	1	3	VIACHESLAV PRYKHODKO	0 - 10	0:22
4	Sofia GÁNOVSKÁ	2	4	Claudia MATEJOVÁ	10 - 0	0:00
5	ALEXEJ PLAVCAN	1	4	Claudia MATEJOVÁ	0 - 10	0:24
6	Sofia GÁNOVSKÁ	2	3	VIACHESLAV PRYKHODKO	0 - 10	0:00

Results

Pos	Name
1	VIACHESLAV PRYKHODKO, UZHOROD
2	Sofia GÁNOVSKÁ, DK SNV
3	Claudia MATEJOVÁ, ŠK Zemplín MI
4	ALEXEJ PLAVCAN, TJ MLADOST PP

45 MVC 13.06.2015 Michalovce MU8-30

Competitors: 3

Competitors

#	Name	Grade	Club	1	2	3	Wins	Pts	Pos
1	Martin MYŠIČKA	?	DK SNV			10	1	10	2
2	Hanah HANKOVA	?	JC Bardejov	10		10	2	20	1
3	NIKOLA JOVANOVIĆ	?	BECEJ				0	0	3

Matches

Match	White			Blue	Result	Time
1	Martin MYŠIČKA	1	2	Hanah HANKOVA	0 - 10	0:50
2	Martin MYŠIČKA	1	3	NIKOLA JOVANOVIĆ	10 - 0	1:05
3	Hanah HANKOVA	2	3	NIKOLA JOVANOVIĆ	10 - 0	0:30

Results

Pos	Name
1	Hanah HANKOVA, JC Bardejov
2	Martin MYŠIČKA, DK SNV
3	NIKOLA JOVANOVIĆ, BECEJ

45 MVC 13.06.2015 Michalovce FU11-24

Competitors: 4

Competitors

#	Name	Grade	Club	1	2	3	4	Wins	Pts	Pos
1	PETRA POLIAKOVA	?	TJ MLADOST PP					0	0	4
2	Patrícia TOMÁNKOVÁ	?	1. JC PEZINOK	10		10		2	20	2
3	HANA BEDNAROVA	?	HRADEC KRALOVE	10				1	10	3
4	NADA VISNJIC	?	BECEJ	10	10	5		3	25	1

Matches

Match	White			Blue	Result	Time
1	PETRA POLIAKOVA	1	2	Patrícia TOMÁNKOVÁ	0 - 10	0:00
2	HANA BEDNAROVA	3	4	NADA VISNJIC	0 - 5	0:41
3	PETRA POLIAKOVA	1	3	HANA BEDNAROVA	0 - 10	0:59
4	Patrícia TOMÁNKOVÁ	2	4	NADA VISNJIC	0 - 10	0:38
5	PETRA POLIAKOVA	1	4	NADA VISNJIC	0 - 10	0:05
6	Patrícia TOMÁNKOVÁ	2	3	HANA BEDNAROVA	10 - 0	0:43

Results

Pos	Name
1	NADA VISNJIC, BECEJ
2	Patrícia TOMÁNKOVÁ, 1. JC PEZINOK
3	HANA BEDNAROVA, HRADEC KRALOVE
4	PETRA POLIAKOVA, TJ MLADOST PP

45 MVC 13.06.2015 Michalovce FU11-27

Competitors: 8

Competitors A

#	Name	Grade	Club	1	2	3	4	Wins	Pts	Pos
1	Lea LOZAKOVA	?	JC Bardejov		10		10	2	20	2
2	Liliana SOKIROVÁ	?	ŠK Zemplín MI				10	1	10	3
3	Natália GAŽIOVÁ	?	Lokomotíva RS	10	10		10	3	30	1
4	SIMONA KROPACOVA	?	SK ZEMPLIN MI					0	0	4

Matches A

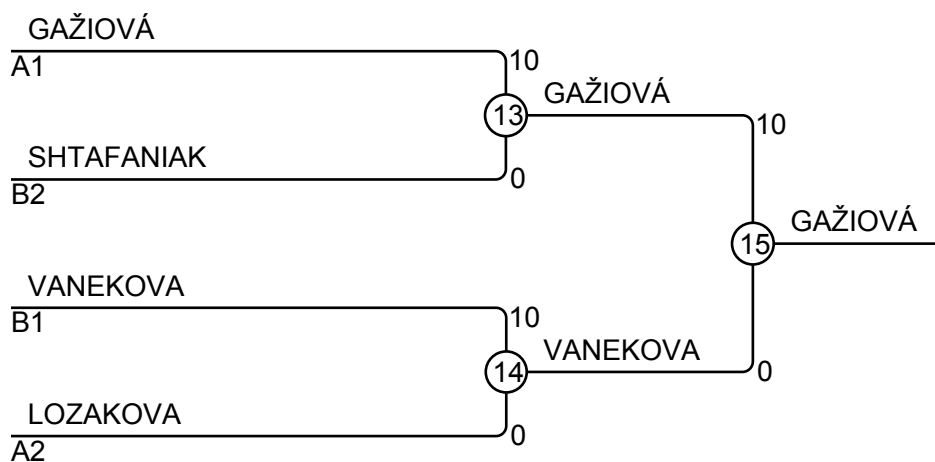
Match	White	Blue	Result	Time
1	Lea LOZAKOVA 1	Liliana SOKIROVÁ 2	10 - 0	1:47
3	Natália GAŽIOVÁ 3	SIMONA KROPACOVA 4	10 - 0	0:00
5	Lea LOZAKOVA 1	Natália GAŽIOVÁ 3	0 - 10	0:20
7	Liliana SOKIROVÁ 2	SIMONA KROPACOVA 4	10 - 0	0:00
9	Lea LOZAKOVA 1	SIMONA KROPACOVA 4	10 - 0	0:00
11	Liliana SOKIROVÁ 2	Natália GAŽIOVÁ 3	0 - 10	0:17

Competitors B

#	Name	Grade	Club	5	6	7	8	Wins	Pts	Pos
5	Michaela DRANČÁKOVÁ	?	ŠK Zemplín MI					0	0	4
6	Božidara MACEČKOVA	?	JC Bardejov	10				1	10	3
7	TEREZA VANEKOVA	?	JC BARDEJOV	10	7		1	3	18	1
8	YULIA SHTAFANIAK	?	UZHOROD	10	1			2	11	2

Matches B

Match	White	Blue	Result	Time
2	Michaela DRANČÁKOVÁ 5	Božidara MACEČKOVA 6	0 - 10	0:35
4	TEREZA VANEKOVA 7	YULIA SHTAFANIAK 8	1 - 0	2:00
6	Michaela DRANČÁKOVÁ 5	TEREZA VANEKOVA 7	0 - 10	0:35
8	Božidara MACEČKOVA 6	YULIA SHTAFANIAK 8	0 - 1	3:54
10	Michaela DRANČÁKOVÁ 5	YULIA SHTAFANIAK 8	0 - 10	0:38
12	Božidara MACEČKOVA 6	TEREZA VANEKOVA 7	0 - 7	2:00



Results

Pos	Name
1	Natália GAŽIOVÁ, Lokomotíva RS
2	TEREZA VANEKOVA, JC BARDEJOV
3	YULIA SHTAFANIAK, UZHOROD
3	Lea LOZAKOVA, JC Bardejov

45 MVC 13.06.2015 Michalovce FU11-30

Competitors: 5

Competitors

#	Name	Grade	Club	1	2	3	4	5	Wins	Pts	Pos
1	VANJA DUDVARSKI	?	BECEJ		10			10	2	20	3
2	KATKA VOJTEKOVA	?	1. JC PEZINOK					10	1	10	4
3	LARA TRESTYANSZKI	?	Miskolc Judo SE	10	10			10	3	30	2
4	Martina SEKOVÁ	?	JK Sparta PB	10	10	10		10	4	40	1
5	Stanislava GREPPOVÁ	?	JUDO Košice						0	0	5

Matches

Match	White		Blue		Result	Time
1	Martina SEKOVÁ	4	5	Stanislava GREPPOVÁ	10 - 0	0:07
2	VANJA DUDVARSKI	1	2	KATKA VOJTEKOVA	10 - 0	1:01
3	LARA TRESTYANSZKI	3	4	Martina SEKOVÁ	0 - 10	0:10
4	VANJA DUDVARSKI	1	5	Stanislava GREPPOVÁ	10 - 0	0:46
5	KATKA VOJTEKOVA	2	3	LARA TRESTYANSZKI	0 - 10	0:09
6	VANJA DUDVARSKI	1	4	Martina SEKOVÁ	0 - 10	0:22
7	LARA TRESTYANSZKI	3	5	Stanislava GREPPOVÁ	10 - 0	0:40
8	KATKA VOJTEKOVA	2	4	Martina SEKOVÁ	0 - 10	0:49
9	VANJA DUDVARSKI	1	3	LARA TRESTYANSZKI	0 - 10	0:29
10	KATKA VOJTEKOVA	2	5	Stanislava GREPPOVÁ	10 - 0	0:27

Results

Pos	Name
1	Martina SEKOVÁ, JK Sparta PB
2	LARA TRESTYANSZKI, Miskolc Judo SE
3	VANJA DUDVARSKI, BECEJ
4	KATKA VOJTEKOVA, 1. JC PEZINOK
5	Stanislava GREPPOVÁ, JUDO Košice

45 MVC 13.06.2015 Michalovce FU11-34

Competitors: 7

Competitors A

#	Name	Grade	Club	1	2	3	4	Wins	Pts	Pos
1	NEVENA MICHALJCIC	?	BECEJ				10	1	10	3
2	DANIJELA RADOVIC	?	BECEJ	10			10	2	20	2
3	MARGARETA SZABOOVA	?	SK KOLAROVO	10	7		10	3	27	1
4	Vivien KOLYUTH	?	Miskolc Judo SE					0	0	4

Matches A

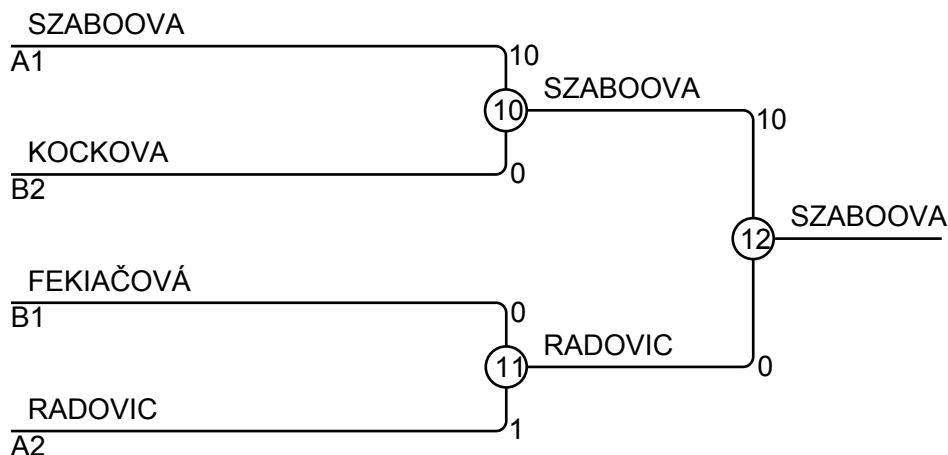
Match	White	Blue	Result	Time
1	NEVENA MICHALJCIC 1	DANIJELA RADOVIC 2	0 - 10	0:03
2	MARGARETA SZABOOVA 3	Vivien KOLYUTH 4	10 - 0	0:37
4	NEVENA MICHALJCIC 1	MARGARETA SZABOOVA 3	0 - 10	1:10
5	DANIJELA RADOVIC 2	Vivien KOLYUTH 4	10 - 0	0:42
7	NEVENA MICHALJCIC 1	Vivien KOLYUTH 4	10 - 0	0:43
8	DANIJELA RADOVIC 2	MARGARETA SZABOOVA 3	0 - 7	2:00

Competitors B

#	Name	Grade	Club	5	6	7	Wins	Pts	Pos
5	Diana FEKIAČOVÁ	?	JK KATSUDO LC		10	10	2	20	1
6	NINA KOCKOVA	?	TJ SLAVI PO			10	1	10	2
7	DOMINIKA JAKUBCOVA	?	TJ MLADOST PP				0	0	3

Matches B

Match	White	Blue	Result	Time
3	Diana FEKIAČOVÁ 5	NINA KOCKOVA 6	10 - 0	0:47
6	Diana FEKIAČOVÁ 5	DOMINIKA JAKUBCOVA 7	10 - 0	0:30
9	NINA KOCKOVA 6	DOMINIKA JAKUBCOVA 7	10 - 0	0:46



Results

Pos	Name
1	MARGARETA SZABOOVA, SK KOLAROVO
2	DANIJELA RADOVIC, BECEJ
3	NINA KOCKOVA, TJ SLAVI PO
3	Diana FEKIAČOVÁ, JK KATSUDO LC

45 MVC 13.06.2015 Michalovce FU11-38

Competitors: 5

Competitors

#	Name	Grade	Club	1	2	3	4	5	Wins	Pts	Pos
1	JITKA HOPJANOVA	?	HRADEC KRALOVE			10		10	2	20	3
2	Lilien DEMETER	?	Miskolc Judo SE	10		10	10		3	30	1
3	NEVENA GRBIC	?	BECEJ					5	1	5	5
4	KINGA RADZICKA	?	UKS Gimnazjon S. Las	10		10		10	3	30	2
5	Samantha ČIŽMÁROVÁ	?	ŠK Zemplín MI		10				1	10	4

Matches

Match	White			Blue	Result	Time
1	KINGA RADZICKA	4	5	Samantha ČIŽMÁROVÁ	10 - 0	1:59
2	JITKA HOPJANOVA	1	2	Lilien DEMETER	0 - 10	1:17
3	NEVENA GRBIC	3	4	KINGA RADZICKA	0 - 10	0:49
4	JITKA HOPJANOVA	1	5	Samantha ČIŽMÁROVÁ	10 - 0	1:37
5	Lilien DEMETER	2	3	NEVENA GRBIC	10 - 0	0:48
6	JITKA HOPJANOVA	1	4	KINGA RADZICKA	0 - 10	0:50
7	NEVENA GRBIC	3	5	Samantha ČIŽMÁROVÁ	5 - 0	2:00
8	Lilien DEMETER	2	4	KINGA RADZICKA	10 - 0	2:00
9	JITKA HOPJANOVA	1	3	NEVENA GRBIC	10 - 0	0:36
10	Lilien DEMETER	2	5	Samantha ČIŽMÁROVÁ	0 - 10	1:27

Results

Pos	Name
1	Lilien DEMETER, Miskolc Judo SE
2	KINGA RADZICKA, UKS Gimnazjon S. Las
3	JITKA HOPJANOVA, HRADEC KRALOVE
4	Samantha ČIŽMÁROVÁ, ŠK Zemplín MI
5	NEVENA GRBIC, BECEJ

45 MVC 13.06.2015 Michalovce FU11-42

Competitors: 2

Competitors

#	Name	Grade	Club	1	2	1	2	1	2	Wins	Pts	Pos
1	Ela LOZAKOVA	?	JC Bardejov							0	0	2
2	Dorota LABOVÁ	?	MŠK VRANOV n.T.	10		1				2	11	1

Matches

Match	White			Blue	Result	Time
1	Ela LOZAKOVA	1	2	Dorota LABOVÁ	0 - 10	1:44
2	Ela LOZAKOVA	1	2	Dorota LABOVÁ	0 - 1	2:44
3	Ela LOZAKOVA	1	2	Dorota LABOVÁ		

Results

Pos	Name
1	Dorota LABOVÁ, MŠK VRANOV n.T.
2	Ela LOZAKOVA, JC Bardejov

45 MVC 13.06.2015 Michalovce FU11-50

Competitors: 2

Competitors

#	Name	Grade	Club	1	2	1	2	1	2	Wins	Pts	Pos
1	MIRELLA SZABOD	?	Miskolc Judo SE		10		10			2	20	1
2	SIMONA PALMOVA	?	HRADEC KRALOVE							0	0	2

Matches

Match	White			Blue	Result	Time
1	MIRELLA SZABOD	1	2	SIMONA PALMOVA	10 - 0	0:25
2	MIRELLA SZABOD	1	2	SIMONA PALMOVA	10 - 0	0:40
3	MIRELLA SZABOD	1	2	SIMONA PALMOVA		

Results

Pos	Name
1	MIRELLA SZABOD, Miskolc Judo SE
2	SIMONA PALMOVA, HRADEC KRALOVE

45 MVC 13.06.2015 Michalovce MU11-52

Competitors: 5

Competitors

#	Name	Grade	Club	1	2	3	4	5	Wins	Pts	Pos
1	ONDREJ BARTO	?	SkP BB			7	10	1	3	18	2
2	Ondrej IHNÁT	?	MŠK Vranov n/T	10			10		2	20	3
3	JOZSEF PASZTOR	?	Miskolc Judo SE		5		1		2	6	4
4	Marko CHUDÍK	?	TJ Mladost' PP						0	0	5
5	Richard FILČÍK	?	JK KATSUDO LC		1	10	10		3	21	1

Matches

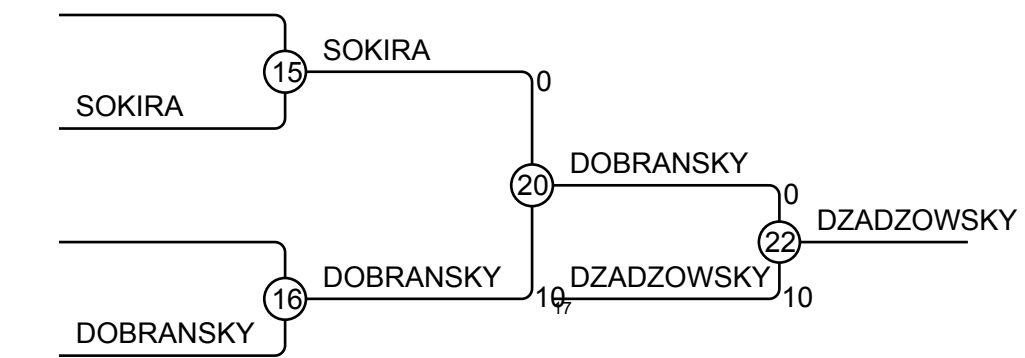
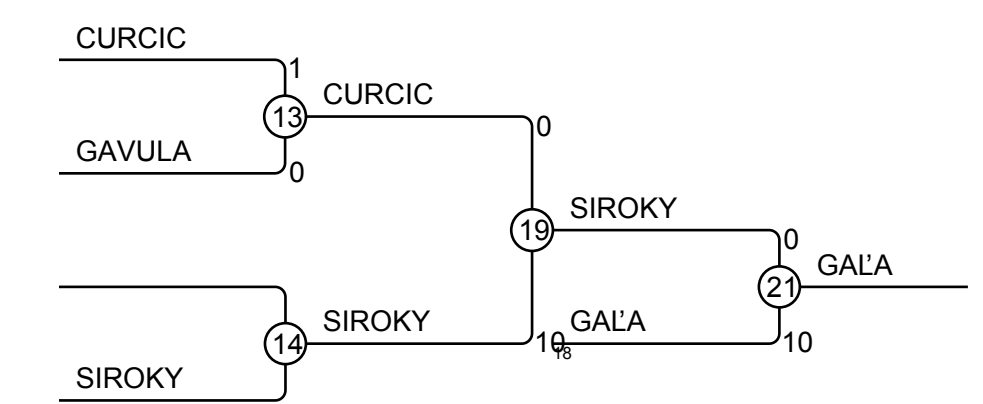
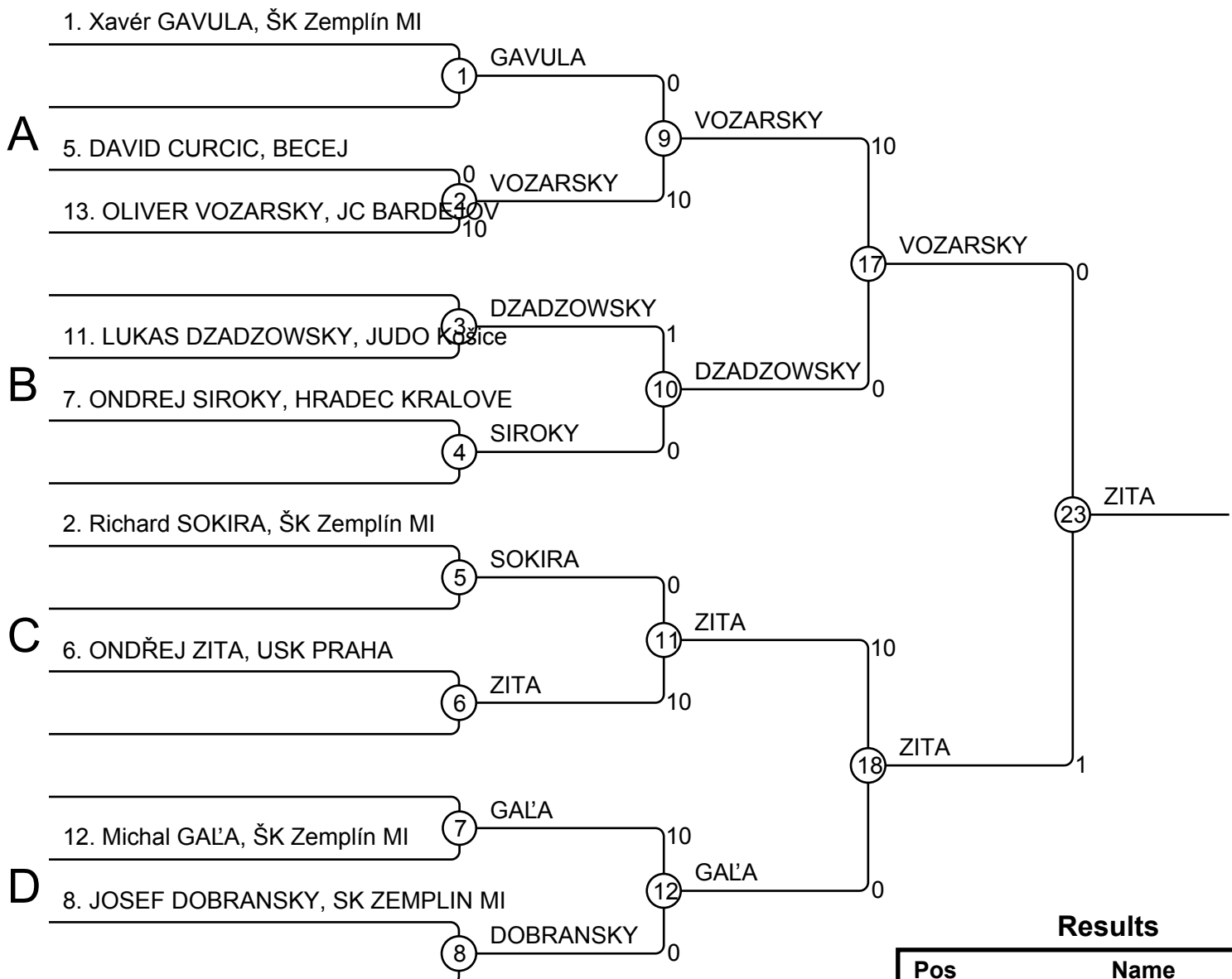
Match	White		Blue		Result	Time
1	Marko CHUDÍK	4 5	Richard FILČÍK		0 - 10	0:27
2	ONDREJ BARTO	1 2	Ondrej IHNÁT		0 - 10	2:00
3	JOZSEF PASZTOR	3 4	Marko CHUDÍK		1 - 0	2:00
4	ONDREJ BARTO	1 5	Richard FILČÍK		1 - 0	3:00
5	Ondrej IHNÁT	2 3	JOZSEF PASZTOR		0 - 5	2:00
6	ONDREJ BARTO	1 4	Marko CHUDÍK		10 - 0	0:58
7	JOZSEF PASZTOR	3 5	Richard FILČÍK		0 - 10	1:07
8	Ondrej IHNÁT	2 4	Marko CHUDÍK		10 - 0	1:06
9	ONDREJ BARTO	1 3	JOZSEF PASZTOR		7 - 0	2:00
10	Ondrej IHNÁT	2 5	Richard FILČÍK		0 - 1	2:26

Results

Pos	Name
1	Richard FILČÍK, JK KATSUDO LC
2	ONDREJ BARTO, SkP BB
3	Ondrej IHNÁT, MŠK Vranov n/T
4	JOZSEF PASZTOR, Miskolc Judo SE
5	Marko CHUDÍK, TJ Mladost' PP

45 MVC 13.06.2015 Michalovce MU11-24

Competitors: 9

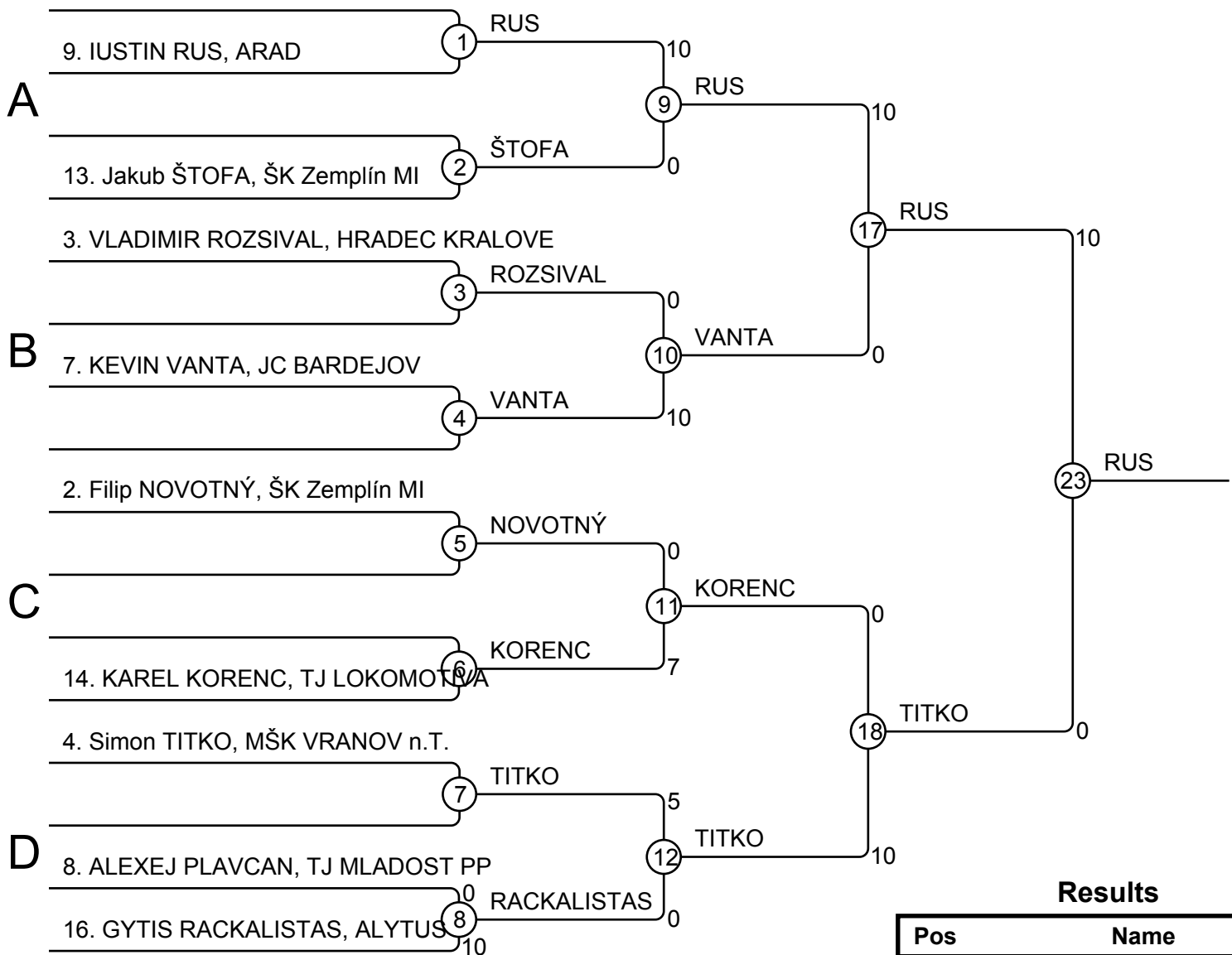


Results

Pos	Name
1	ONDŘEJ ZITA, USK PRAHA
2	OLIVER VOZARSKY, JC BARDEJOV
3	Michal GALA, ŠK Zemplín MI
3	LUKAS DZADZOWSKY, JUDO Košice
5	ONDREJ SIROKY, HRADEC KRALOVE
5	JOSEF DOBRANSKY, SK ZEMPLIN MI
7	DAVID CURCIC, BECEJ
7	Richard SOKIRA, ŠK Zemplín MI

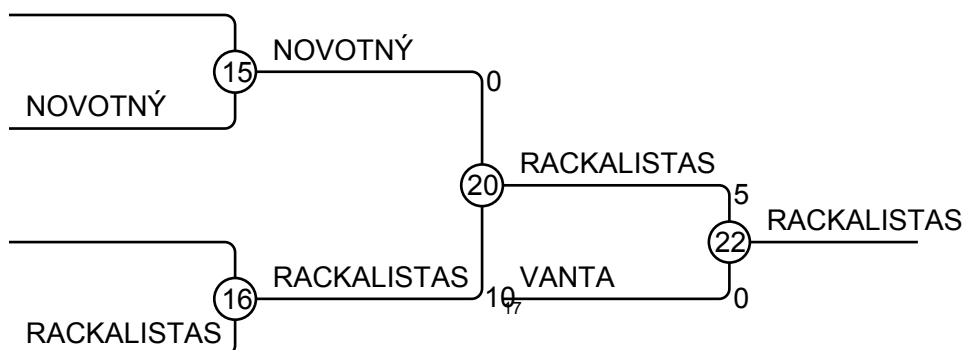
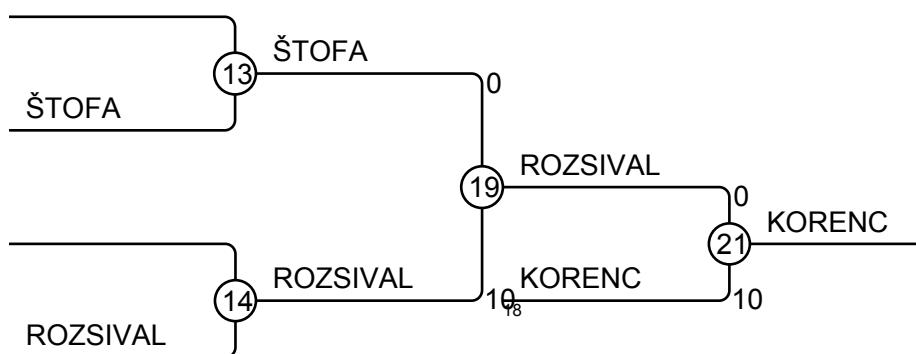
45 MVC 13.06.2015 Michalovce MU11-27

Competitors: 9



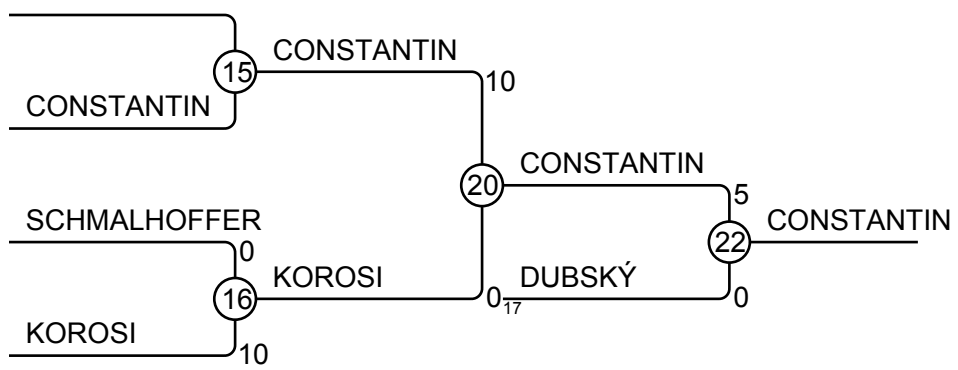
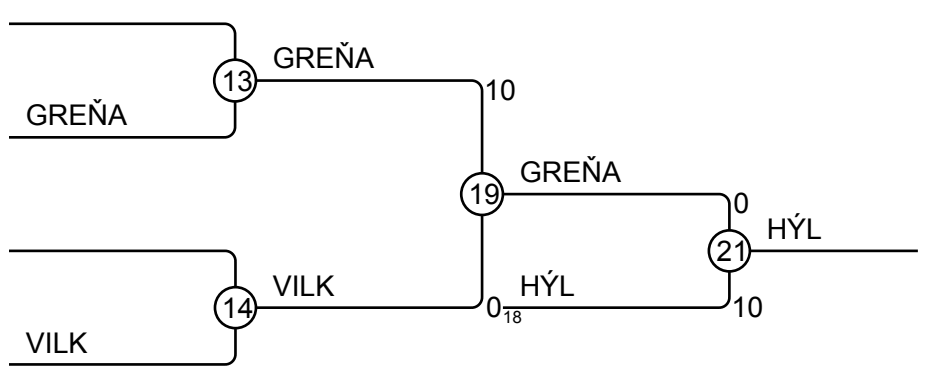
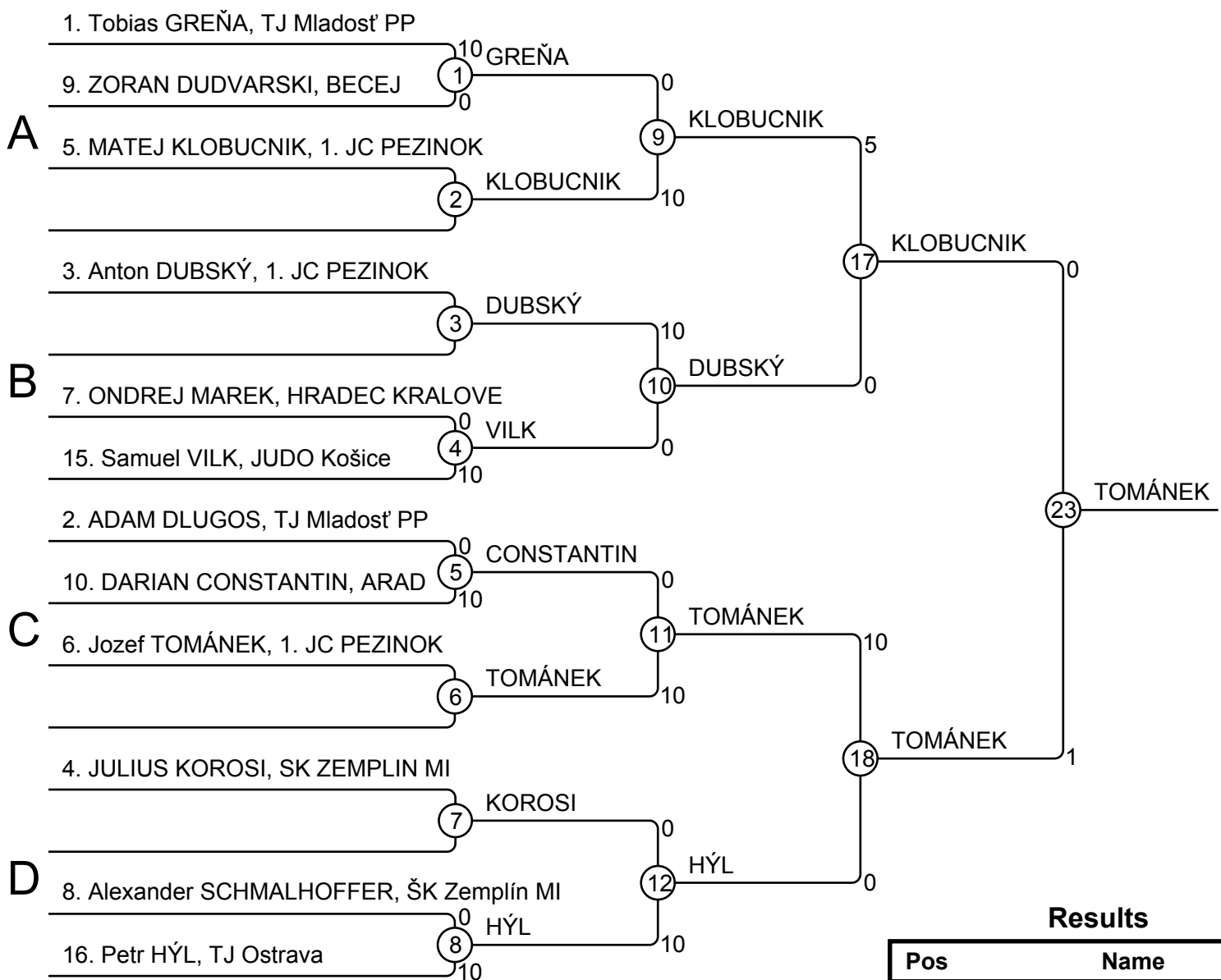
Results

Pos	Name
1	IUSTIN RUS, ARAD
2	Simon TITKO, MŠK VRANOV n.T.
3	KAREL KORENC, TJ LOKOMOTIVA
3	GYTIS RACKALISTAS, ALYTUS
5	VLADIMIR ROZSIVAL, HRADEC KR.
5	KEVIN VANTA, JC BARDEJOV
7	Jakub ŠTOFA, ŠK Zemplín MI
7	Filip NOVOTNÝ, ŠK Zemplín M



45 MVC 13.06.2015 Michalovce MU11-30

Competitors: 12

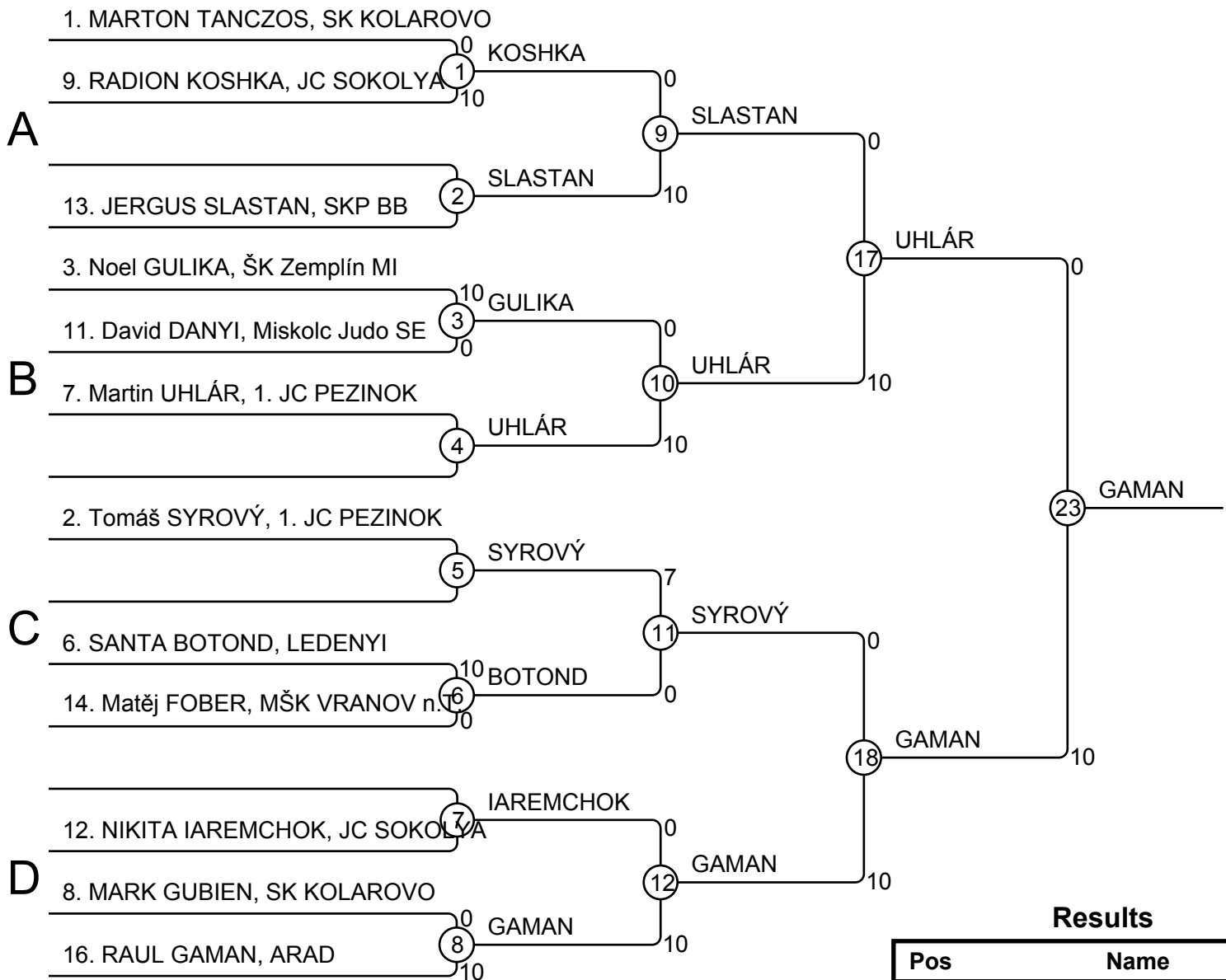


Results

Pos	Name
1	Jozef TOMÁNEK, 1. JC PEZINOK
2	MATEJ KLOBUCNIK, 1. JC PEZINOK
3	Petr HÝL, TJ Ostrava
3	DARIAN CONSTANTIN, ARAD
5	Tobias GREŇA, TJ Mladost' PP
5	Anton DUBSKÝ, 1. JC PEZINOK
7	Samuel VILK, JUDO Košice
7	JULIUS KOROSI, SK ZEMPLIN MI

45 MVC 13.06.2015 Michalovce MU11-34

Competitors: 12



Results

Pos	Name
1	RAUL GAMAN, ARAD
2	Martin UHLÁR, 1. JC PEZINOK
3	RADION KOSHKA, JC SOKOLYA
3	MARK GUBIEN, SK KOLAROVO
5	Tomáš SYROVÝ, 1. JC PEZINOK
5	JERGUS SLASTAN, SKP BB
7	Noel GULIKA, ŠK Zemplín MI
7	SANTA BOTOND, LEDENYI

45 MVC 13.06.2015 Michalovce MU11-38

Competitors: 8

Competitors A

#	Name	Grade	Club	1	2	3	4	Wins	Pts	Pos
1	Alex PETRUŠ	?	MŠK VRANOV n.T.					0	0	4
2	Denis CHALACHAN	?	TJ Mladost' PP	10		10	10	3	30	1
3	Dominik ŽOFČIN	?	JC Bardejov	10				1	10	3
4	Volodymyr KAPUSTEY	?	Champion Uzhorod	10		10		2	20	2

Matches A

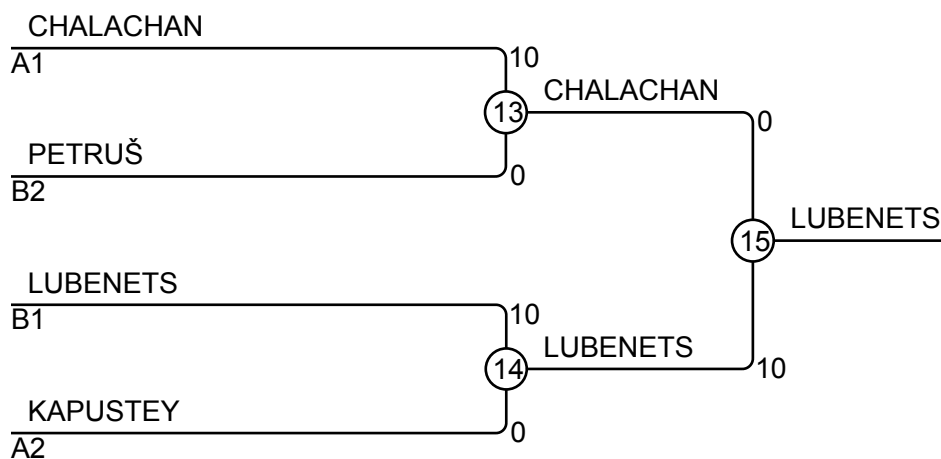
Match	White	Blue	Result	Time
1	Alex PETRUŠ 1	Denis CHALACHAN 2	0 - 10	0:05
3	Dominik ŽOFČIN 3	Volodymyr KAPUSTEY 4	0 - 10	0:23
5	Alex PETRUŠ 1	Dominik ŽOFČIN 3	0 - 10	0:30
7	Denis CHALACHAN 2	Volodymyr KAPUSTEY 4	10 - 0	0:45
9	Alex PETRUŠ 1	Volodymyr KAPUSTEY 4	0 - 10	0:35
11	Denis CHALACHAN 2	Dominik ŽOFČIN 3	10 - 0	0:28

Competitors B

#	Name	Grade	Club	5	6	7	8	Wins	Pts	Pos
5	Šimon BREZNOŠČÁK	?	MŠK Vranov n/T					0	0	3
6	OLEKSANDR LUBENETS	?	JC SOKOLYA	10			10	2	20	1
7	NEVENA GRBIC	?	BECEJ					0	0	4
8	Šimon PETRUŠ	?	MŠK VRANOV n.T.	10				1	10	2

Matches B

Match	White	Blue	Result	Time
2	Šimon BREZNOŠČÁK 5	OLEKSANDR LUBENETS 6	0 - 10	0:06
4	NEVENA GRBIC 7	Šimon PETRUŠ 8		
6	Šimon BREZNOŠČÁK 5	NEVENA GRBIC 7		
8	OLEKSANDR LUBENETS 6	Šimon PETRUŠ 8	10 - 0	0:49
10	Šimon BREZNOŠČÁK 5	Šimon PETRUŠ 8	0 - 10	0:23
12	OLEKSANDR LUBENETS 6	NEVENA GRBIC 7		



Results

Pos	Name
1	OLEKSANDR LUBENETS, JC SOKOLYA
2	Denis CHALACHAN, TJ Mladost' PP
3	Šimon PETRUŠ, MŠK VRANOV n.T.
3	Volodymyr KAPUSTEY, Champion Uzhorod

45 MVC 13.06.2015 Michalovce MU11-42

Competitors: 5

Competitors

#	Name	Grade	Club	1	2	3	4	5	Wins	Pts	Pos
1	Filip OLÁH	?	TJ Mladost' PP						0	0	5
2	Adrian MEDVEĎ	?	TJ Mladost' RS	10		10	10	10	4	40	1
3	Alan MAGERČIAK	?	ŠJ Budokan ZV	10			10	10	3	30	2
4	Tomáš VARADY	?	ŠK Zemplín MI	10				7	2	17	3
5	Maroš TKÁČIK	?	ŠK Zemplín MI	10					1	10	4

Matches

Match	White	Blue	Result	Time
1	Tomáš VARADY 4 5	Maroš TKÁČIK	7 - 0	2:00
2	Filip OLÁH 1 2	Adrian MEDVEĎ	0 - 10	0:05
3	Alan MAGERČIAK 3 4	Tomáš VARADY	10 - 0	0:28
4	Filip OLÁH 1 5	Maroš TKÁČIK	0 - 10	1:00
5	Adrian MEDVEĎ 2 3	Alan MAGERČIAK	10 - 0	0:27
6	Filip OLÁH 1 4	Tomáš VARADY	0 - 10	1:46
7	Alan MAGERČIAK 3 5	Maroš TKÁČIK	10 - 0	0:29
8	Adrian MEDVEĎ 2 4	Tomáš VARADY	10 - 0	0:51
9	Filip OLÁH 1 3	Alan MAGERČIAK	0 - 10	0:34
10	Adrian MEDVEĎ 2 5	Maroš TKÁČIK	10 - 0	0:30

Results

Pos	Name
1	Adrian MEDVEĎ, TJ Mladost' RS
2	Alan MAGERČIAK, ŠJ Budokan ZV
3	Tomáš VARADY, ŠK Zemplín MI
4	Maroš TKÁČIK, ŠK Zemplín MI
5	Filip OLÁH, TJ Mladost' PP

45 MVC 13.06.2015 Michalovce MU11-46

Competitors: 2

Competitors

#	Name	Grade	Club	1	2	1	2	1	2	Wins	Pts	Pos
1	Daniel BENDAS	?	MŠK Vranov n/T							0	0	2
2	NIKITA KVIATKOVSKYI	?	JC SOKOLYA	10		10				2	20	1

Matches

Match	White			Blue	Result	Time
1	Daniel BENDAS	1	2	NIKITA KVIATKOVSKYI	0 - 10	0:26
2	Daniel BENDAS	1	2	NIKITA KVIATKOVSKYI	0 - 10	0:22
3	Daniel BENDAS	1	2	NIKITA KVIATKOVSKYI		

Results

Pos	Name
1	NIKITA KVIATKOVSKYI, JC SOKOLYA
2	Daniel BENDAS, MŠK Vranov n/T

45 MVC 13.06.2015 Michalovce MU11+60

Competitors: 2

Competitors

#	Name	Grade	Club	1	2	1	2	1	2	Wins	Pts	Pos
1	OLEH HUMENIUUK	?	LVOV				7			1	7	2
2	Tomáš POPJAK	?	ŠK Zemplín MI	10				10		2	20	1

Matches

Match	White			Blue	Result	Time
1	OLEH HUMENIUUK	1	2	Tomáš POPJAK	0 - 10	0:46
2	OLEH HUMENIUUK	1	2	Tomáš POPJAK	7 - 0	2:00
3	OLEH HUMENIUUK	1	2	Tomáš POPJAK	0 - 10	0:35

Results

Pos	Name
1	Tomáš POPJAK, ŠK Zemplín MI
2	OLEH HUMENIUUK, LVOV

45 MVC 13.06.2015 Michalovce FU13-25

Competitors: 1

Competitors

#	Name	Grade	Club	1	Wins	Pts	Pos
1	DEJANA KERKEZ	?	BECEJ		0	0	1

Matches

Match	White	Blue	Result	Time
-------	-------	------	--------	------

Results

Pos	Name
1	DEJANA KERKEZ, BECEJ

45 MVC 13.06.2015 Michalovce FU13-36

Competitors: 4

Competitors

#	Name	Grade	Club	1	2	3	4	Wins	Pts	Pos
1	DANICA MARKOVIC	?	BECEJ			7	1	2	8	2
2	DRAGANA RAKIC	?	BECEJ	10		10	10	3	30	1
3	Laura TUTKOVÁ	?	DK SNV					0	0	4
4	Simona HORVÁTHOVÁ	?	DK SNV			5		1	5	3

Matches

Match	White			Blue	Result	Time
1	DANICA MARKOVIC	1	2	DRAGANA RAKIC	0 - 10	2:00
2	Laura TUTKOVÁ	3	4	Simona HORVÁTHOVÁ	0 - 5	2:00
3	DANICA MARKOVIC	1	3	Laura TUTKOVÁ	7 - 0	2:00
4	DRAGANA RAKIC	2	4	Simona HORVÁTHOVÁ	10 - 0	0:42
5	DANICA MARKOVIC	1	4	Simona HORVÁTHOVÁ	1 - 0	6:03
6	DRAGANA RAKIC	2	3	Laura TUTKOVÁ	10 - 0	1:00

Results

Pos	Name
1	DRAGANA RAKIC, BECEJ
2	DANICA MARKOVIC, BECEJ
3	Simona HORVÁTHOVÁ, DK SNV
4	Laura TUTKOVÁ, DK SNV

45 MVC 13.06.2015 Michalovce FU13-40

Competitors: 7

Competitors A

#	Name	Grade	Club	1	2	3	4	Wins	Pts	Pos
1	SIMONA KOCKOVA	?	TJ SLAVI PO					0	0	4
2	Sofia POPOVIČOVÁ	?	ŠK Zemplín MI	10				1	10	3
3	Aleksandra JARKOWSKA	?	UKS Gimnazjon S. Las	10	10		10	3	30	1
4	JOVANA KENJALO	?	BECEJ	10	10			2	20	2

Matches A

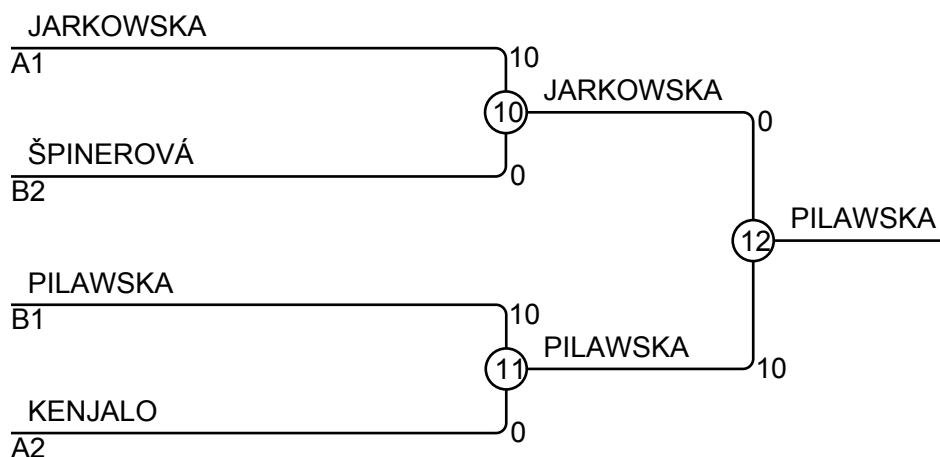
Match	White	Blue	Result	Time
1	SIMONA KOCKOVA	1 2 Sofia POPOVIČOVÁ	0 - 10	0:39
2	Aleksandra JARKOWSKA	3 4 JOVANA KENJALO	10 - 0	0:23
4	SIMONA KOCKOVA	1 3 Aleksandra JARKOWSKA	0 - 10	0:06
5	Sofia POPOVIČOVÁ	2 4 JOVANA KENJALO	0 - 10	0:36
7	SIMONA KOCKOVA	1 4 JOVANA KENJALO	0 - 10	0:32
8	Sofia POPOVIČOVÁ	2 3 Aleksandra JARKOWSKA	0 - 10	0:47

Competitors B

#	Name	Grade	Club	5	6	7	Wins	Pts	Pos
5	Sára ŠPINEROVÁ	?	DK SNV			10	1	10	2
6	Marianna PILAWSKA	?	UKS Gimnazjon S. Las	10		10	2	20	1
7	ANNA BEDNAROVA	?	HRADEC KRALOVE				0	0	3

Matches B

Match	White	Blue	Result	Time
3	Sára ŠPINEROVÁ	5 6 Marianna PILAWSKA	0 - 10	0:29
6	Sára ŠPINEROVÁ	5 7 ANNA BEDNAROVA	10 - 0	1:17
9	Marianna PILAWSKA	6 7 ANNA BEDNAROVA	10 - 0	1:01



Results

Pos	Name
1	Marianna PILAWSKA, UKS Gimnazjon S. Las
2	Aleksandra JARKOWSKA, UKS Gimnazjon S. Las
3	Sára ŠPINEROVÁ, DK SNV
3	JOVANA KENJALO, BECEJ

45 MVC 13.06.2015 Michalovce FU13-44

Competitors: 4

Competitors

#	Name	Grade	Club	1	2	3	4	Wins	Pts	Pos
1	Alexandra ČIŽMÁROVÁ	?	ŠK Zemplín MI			10	10	2	20	1
2	Zuzana MIKOLAJČÍKOVA	?	TJ Mladost' PP	1			10	2	11	3
3	Amelia BOŽEK	?	UKS Gimnazjon S. Las		5		10	2	15	2
4	VERONIKA CZUJKOVA	?	TJ Ostrava					0	0	4

Matches

Match	White			Blue	Result	Time
1	Alexandra ČIŽMÁROVÁ	1	2	Zuzana MIKOLAJČÍKOVA	0 - 1	6:21
2	Amelia BOŽEK	3	4	VERONIKA CZUJKOVA	10 - 0	0:31
3	Alexandra ČIŽMÁROVÁ	1	3	Amelia BOŽEK	10 - 0	0:44
4	Zuzana MIKOLAJČÍKOVA	2	4	VERONIKA CZUJKOVA	10 - 0	1:39
5	Alexandra ČIŽMÁROVÁ	1	4	VERONIKA CZUJKOVA	10 - 0	0:57
6	Zuzana MIKOLAJČÍKOVA	2	3	Amelia BOŽEK	0 - 5	2:00

Results

Pos	Name
1	Alexandra ČIŽMÁROVÁ, ŠK Zemplín MI
2	Amelia BOŽEK, UKS Gimnazjon S. Las
3	Zuzana MIKOLAJČÍKOVA, TJ Mladost' PP
4	VERONIKA CZUJKOVA, TJ Ostrava

45 MVC 13.06.2015 Michalovce FU13-48

Competitors: 2

Competitors

#	Name	Grade	Club	1	2	1	2	1	2	Wins	Pts	Pos
1	GABRIELE ZILIONYTE	?	ALYTUS		10		10			2	20	1
2	Amelia BOŽEK	?	UKS Gimnazjon S. Las							0	0	2

Matches

Match	White			Blue	Result	Time
1	GABRIELE ZILIONYTE	1	2	Amelia BOŽEK	10 - 0	0:24
2	GABRIELE ZILIONYTE	1	2	Amelia BOŽEK	10 - 0	0:25
3	GABRIELE ZILIONYTE	1	2	Amelia BOŽEK		

Results

Pos	Name
1	GABRIELE ZILIONYTE, ALYTUS
2	Amelia BOŽEK, UKS Gimnazjon S. Las

45 MVC 13.06.2015 Michalovce FU13-52

Competitors: 3

Competitors

#	Name	Grade	Club	1	2	3	Wins	Pts	Pos
1	Pavĺına ČIŽMÁROVÁ	?	JK Sparta PB				0	0	3
2	Ema FÍZEĽOVÁ	?	JK DUKLA BB	10		5	2	15	1
3	Petra IHNÁTOVÁ	?	MŠK Vranov n/T	10			1	10	2

Matches

Match	White		Blue	Result	Time
1	Pavĺına ČIŽMÁROVÁ	1 2	Ema FÍZEĽOVÁ	0 - 10	0:41
2	Pavĺına ČIŽMÁROVÁ	1 3	Petra IHNÁTOVÁ	0 - 10	1:17
3	Ema FÍZEĽOVÁ	2 3	Petra IHNÁTOVÁ	5 - 0	2:00

Results

Pos	Name
1	Ema FÍZEĽOVÁ, JK DUKLA BB
2	Petra IHNÁTOVÁ, MŠK Vranov n/T
3	Pavĺına ČIŽMÁROVÁ, JK Sparta PB

45 MVC 13.06.2015 Michalovce FU13-57

Competitors: 1

Competitors

#	Name	Grade	Club	1	Wins	Pts	Pos
1	GABIJA JUCIKAITE	?	ALYTUS		0	0	1

Matches

Match	White	Blue	Result	Time
-------	-------	------	--------	------

Results

Pos	Name
1	GABIJA JUCIKAITE, ALYTUS

45 MVC 13.06.2015 Michalovce FU13-63

Competitors: 2

Competitors

#	Name	Grade	Club	1	2	1	2	1	2	Wins	Pts	Pos
1	Gréta KAČUROVÁ	?	ŠK Zemplín MI							0	0	2
2	DIANA KANOCOVA	?	SK ZEMPLIN MI	1		1				2	2	1

Matches

Match	White			Blue	Result	Time
1	Gréta KAČUROVÁ	1	2	DIANA KANOCOVA	0 - 1	2:55
2	Gréta KAČUROVÁ	1	2	DIANA KANOCOVA	0 - 1	2:18
3	Gréta KAČUROVÁ	1	2	DIANA KANOCOVA		

Results

Pos	Name
1	DIANA KANOCOVA, SK ZEMPLIN MI
2	Gréta KAČUROVÁ, ŠK Zemplín MI

45 MVC 13.06.2015 Michalovce MU13-30

Competitors: 5

Competitors

#	Name	Grade	Club	1	2	3	4	5	Wins	Pts	Pos
1	Anton SEMAK	?	UZHOROD		5	1			2	6	3
2	STEFAN SMIDT	?	BECEJ			7		10	2	17	2
3	Jan BASINSKI	?	UKS Gimnazjon S. Las					1	1	1	4
4	Šimon KÖVÉR	?	JUDO Košice	5	7	5		10	4	27	1
5	František OLHA	?	JUDO Košice	1					1	1	5

Matches

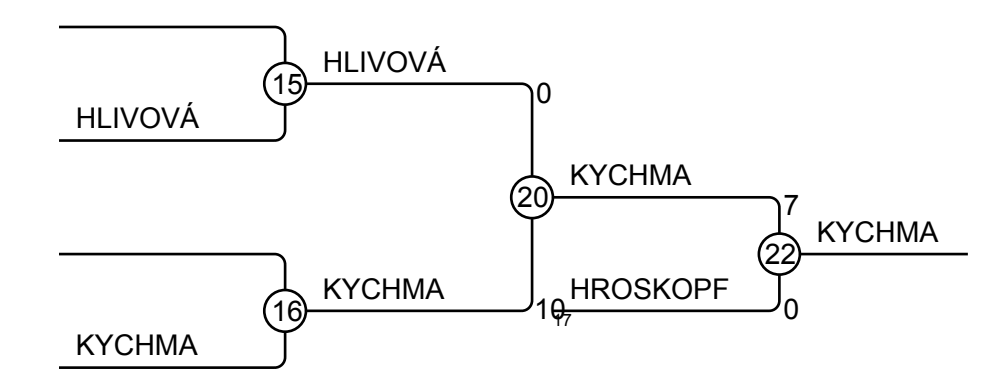
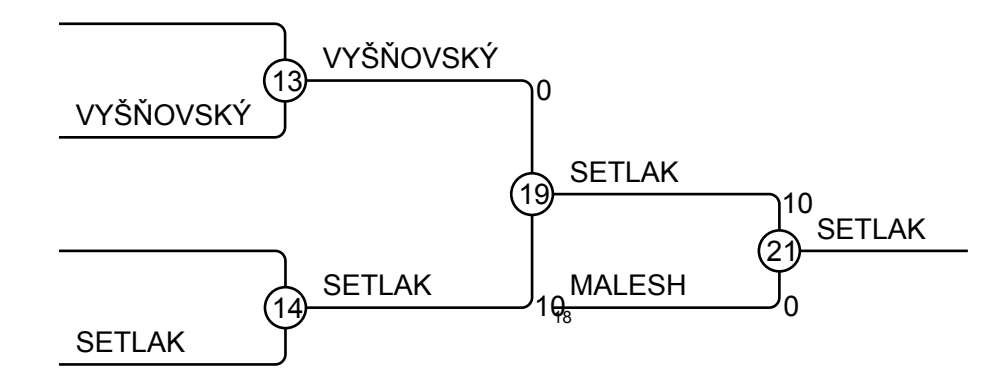
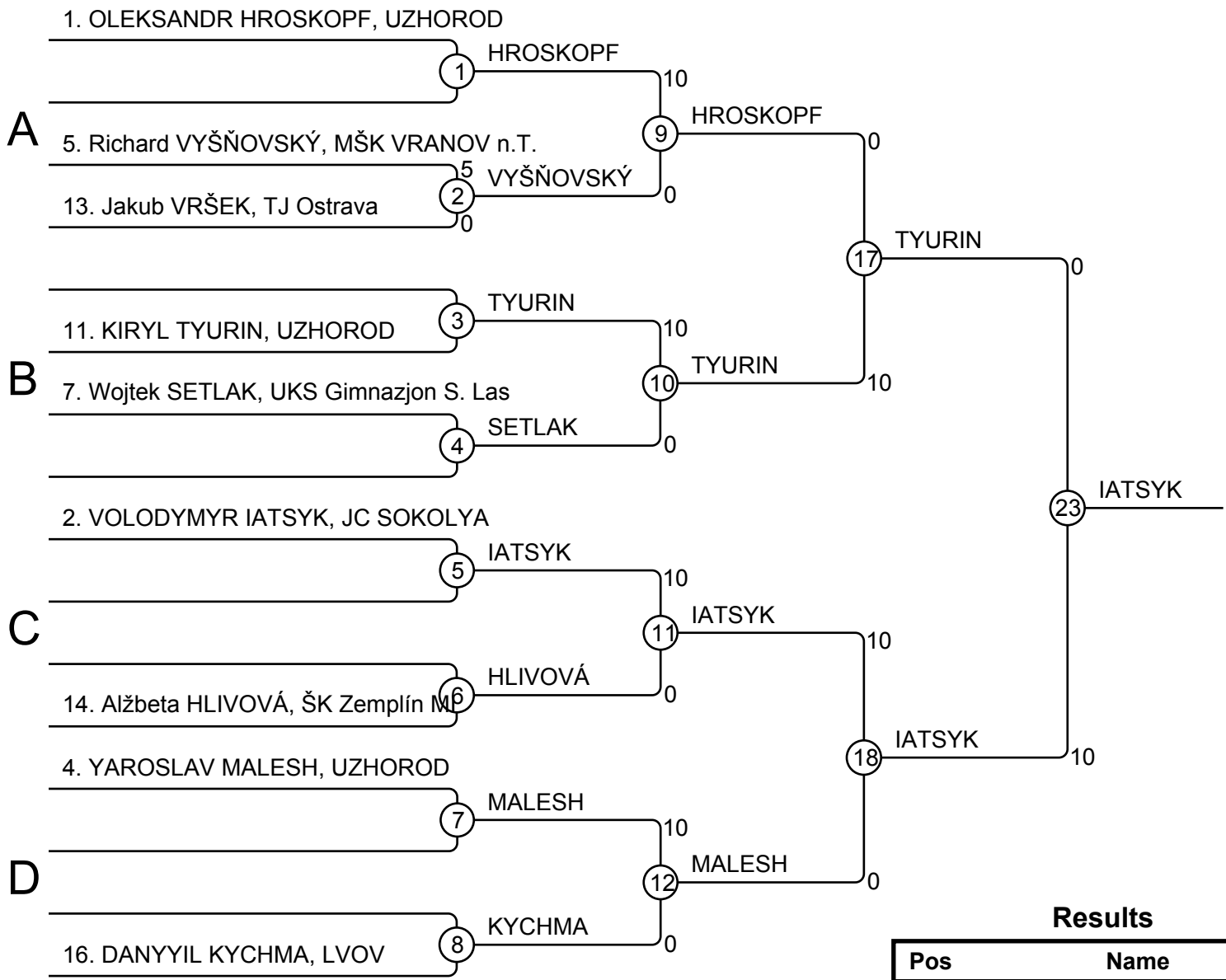
Match	White	Blue	Result	Time
1	Šimon KÖVÉR 4 5	František OLHA	10 - 0	2:00
2	Anton SEMAK 1 2	STEFAN SMIDT	5 - 0	2:00
3	Jan BASINSKI 3 4	Šimon KÖVÉR	0 - 5	2:00
4	Anton SEMAK 1 5	František OLHA	0 - 1	4:14
5	STEFAN SMIDT 2 3	Jan BASINSKI	7 - 0	2:00
6	Anton SEMAK 1 4	Šimon KÖVÉR	0 - 5	2:00
7	Jan BASINSKI 3 5	František OLHA	1 - 0	2:27
8	STEFAN SMIDT 2 4	Šimon KÖVÉR	0 - 7	2:00
9	Anton SEMAK 1 3	Jan BASINSKI	1 - 0	5:15
10	STEFAN SMIDT 2 5	František OLHA	10 - 0	0:18

Results

Pos	Name
1	Šimon KÖVÉR, JUDO Košice
2	STEFAN SMIDT, BECEJ
3	Anton SEMAK, UZHOROD
4	Jan BASINSKI, UKS Gimnazjon S. Las
5	František OLHA, JUDO Košice

45 MVC 13.06.2015 Michalovce MU13-34

Competitors: 9

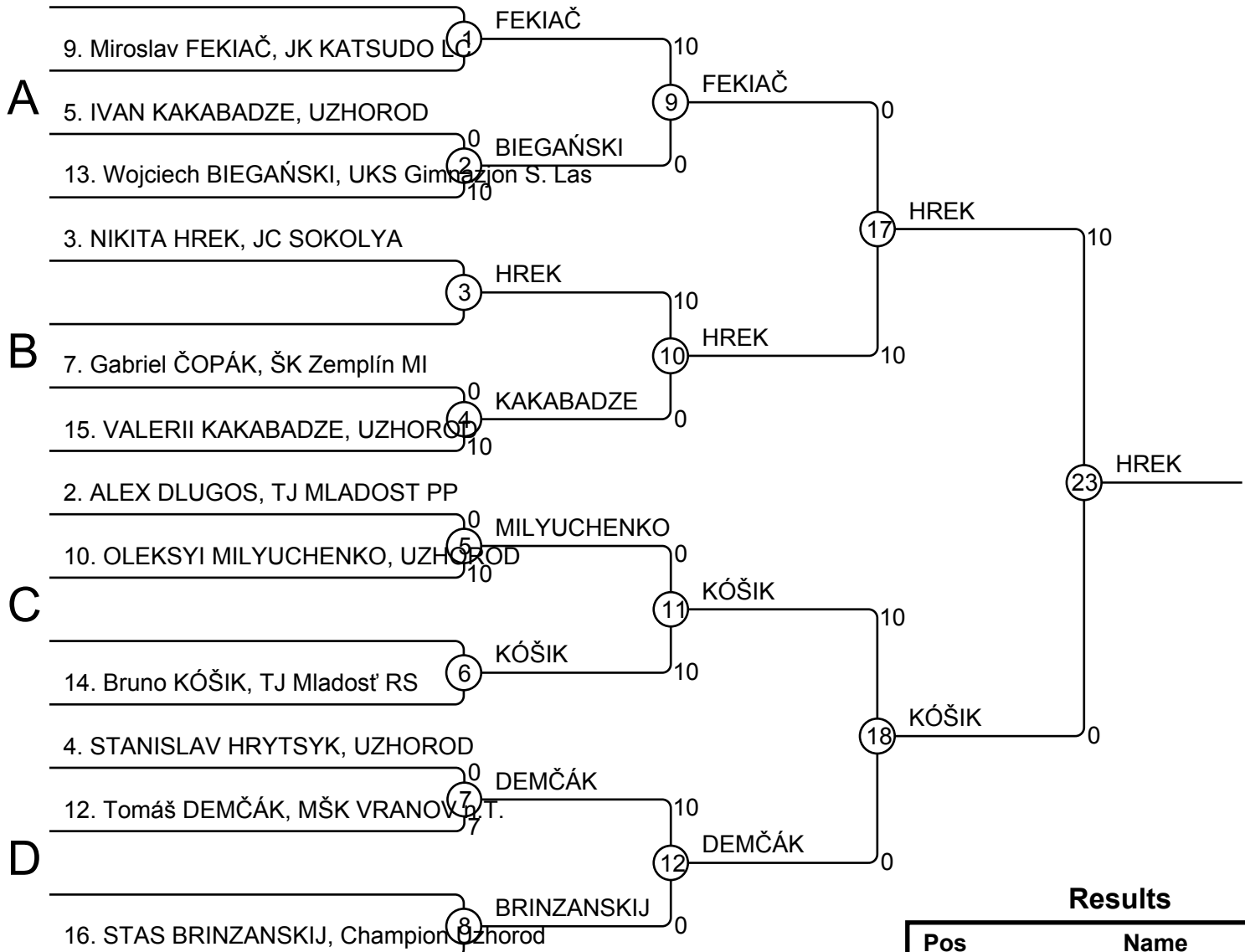


Results

Pos	Name
1	VOLODYMYR IATSYK, JC SOKOLYA
2	KIRYL TYURIN, UZHOROD
3	Wojtek SETLAK, UKS Gimnazjon S. Las
3	DANYIIL KYCHMA, LVOV
5	YAROSLAV MALESH, UZHOROD
5	OLEKSANDR HROSKOPF, UZHOROD
7	Richard VYŠŇOVSKÝ, MŠK VRANOV n.T.
7	Alžbeta HLIVOVÁ, ŠK Zemplín MI

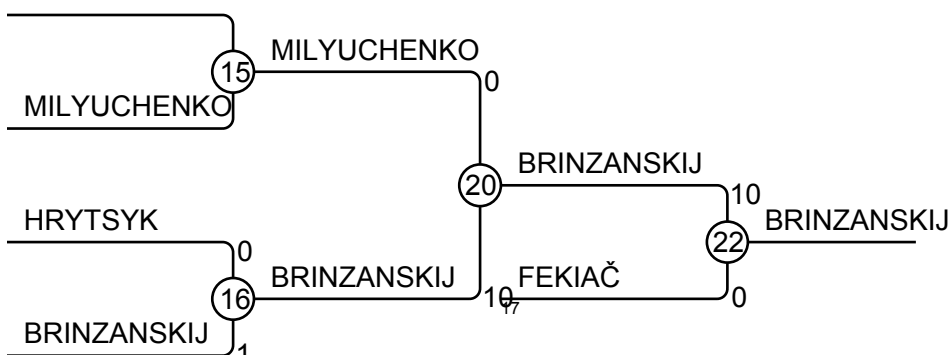
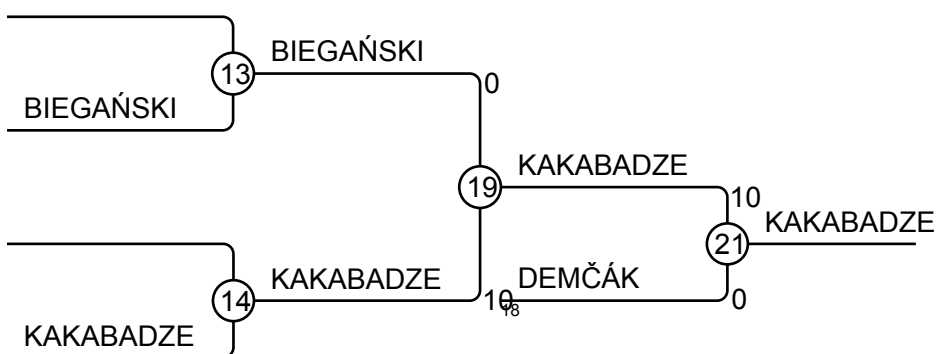
45 MVC 13.06.2015 Michalovce MU13-38

Competitors: 12



Results

Pos	Name
1	NIKITA HREK, JC SOKOLYA
2	Bruno KÓŠIK, TJ Mladost' RS
3	VALERII KAKABADZE, UZHOROD
3	STAS BRINZANSKIJ, Champion Uzhorod
5	Tomáš DEMČÁK, MŠK VRANOV n.T.
5	Miroslav FEKIAČ, JK KATSUDO LC
7	Wojciech BIEGAŃSKI, UKS Gimnazjon S. Las
7	OLEKSYI MILYUCHENKO, UZHOROD



45 MVC 13.06.2015 Michalovce MU13-42

Competitors: 7

Competitors A

#	Name	Grade	Club	1	2	3	4	Wins	Pts	Pos
1	ARVYDAS JANKAUSKAS	?	ALYTUS		10	10	1	3	21	1
2	Bence TURNYANSZKI	?	Miskolc Judo SE			10		1	10	3
3	Dávid JANČUŠ	?	TJ Slávia PU Prešov					0	0	4
4	YAROSLAV MYKHALYUK	?	LVOV		10	10		2	20	2

Matches A

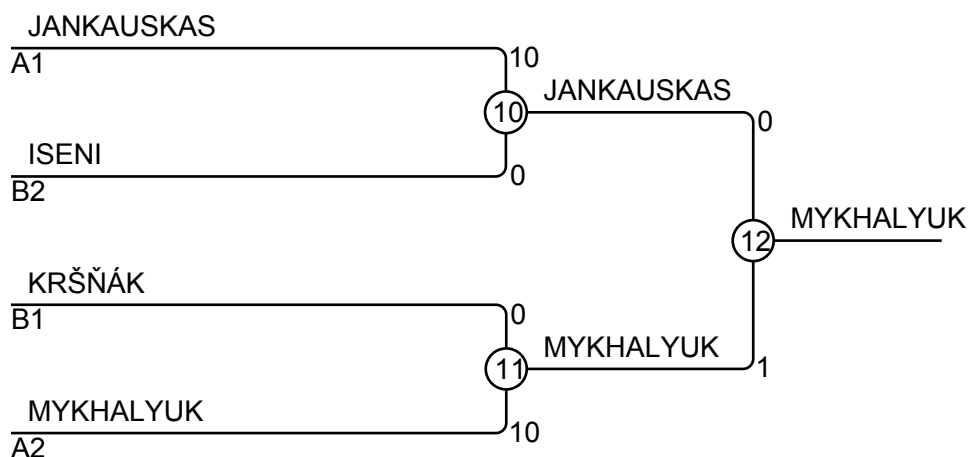
Match	White	Blue	Result	Time
1	ARVYDAS JANKAUSKAS 1 2	Bence TURNYANSZKI	10 - 0	0:16
2	Dávid JANČUŠ 3 4	YAROSLAV MYKHALYUK	0 - 10	1:30
4	ARVYDAS JANKAUSKAS 1 3	Dávid JANČUŠ	10 - 0	0:33
5	Bence TURNYANSZKI 2 4	YAROSLAV MYKHALYUK	0 - 10	0:41
7	ARVYDAS JANKAUSKAS 1 4	YAROSLAV MYKHALYUK	1 - 0	2:10
8	Bence TURNYANSZKI 2 3	Dávid JANČUŠ	10 - 0	1:10

Competitors B

#	Name	Grade	Club	5	6	7	Wins	Pts	Pos
5	MATEH SIROKY	?	HRADEC KRALOVE				0	0	3
6	Ridvan ISENI	?	TJ Mladost' PP	10			1	10	2
7	Filip KRŠŇÁK	?	TJ Ostrava	10	10		2	20	1

Matches B

Match	White	Blue	Result	Time
3	MATEH SIROKY 5 6	Ridvan ISENI	0 - 10	0:30
6	MATEH SIROKY 5 7	Filip KRŠŇÁK	0 - 10	0:30
9	Ridvan ISENI 6 7	Filip KRŠŇÁK	0 - 10	1:08

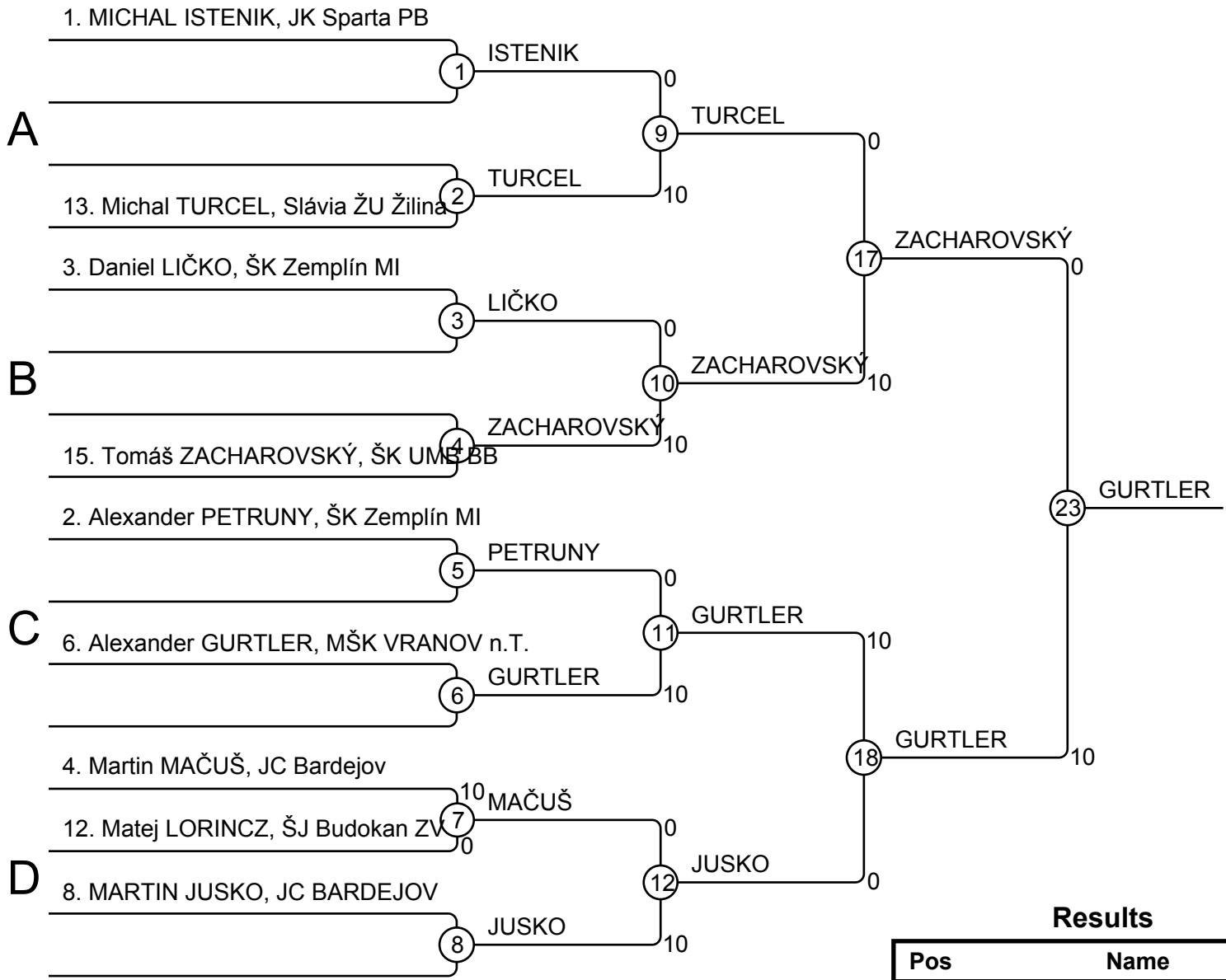


Results

Pos	Name
1	YAROSLAV MYKHALYUK, LVOV
2	ARVYDAS JANKAUSKAS, ALYTUS
3	Ridvan ISENI, TJ Mladost' PP
3	Filip KRŠŇÁK, TJ Ostrava

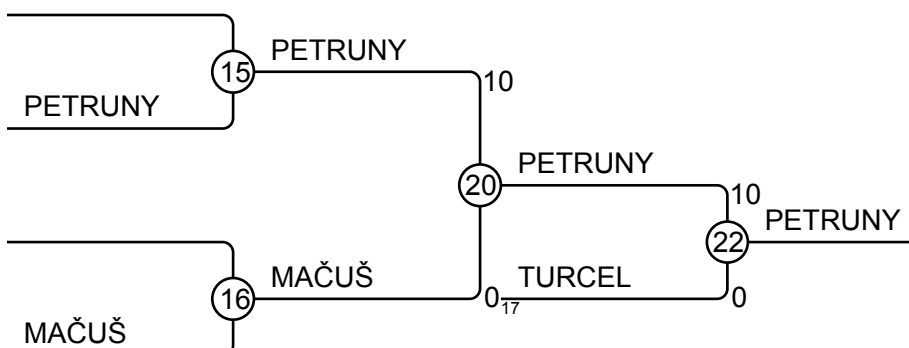
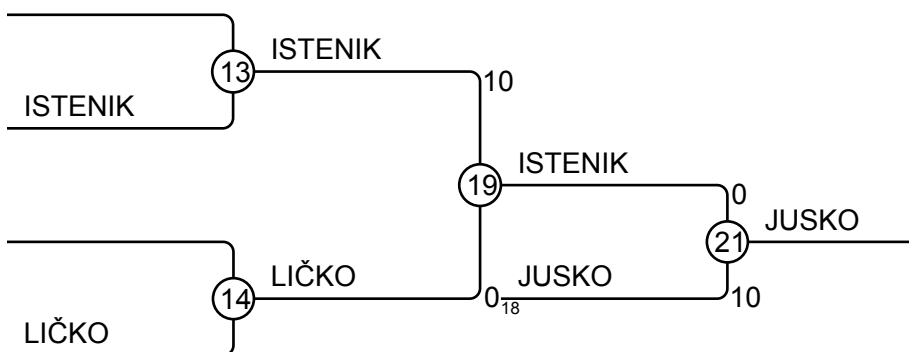
45 MVC 13.06.2015 Michalovce MU13-46

Competitors: 9



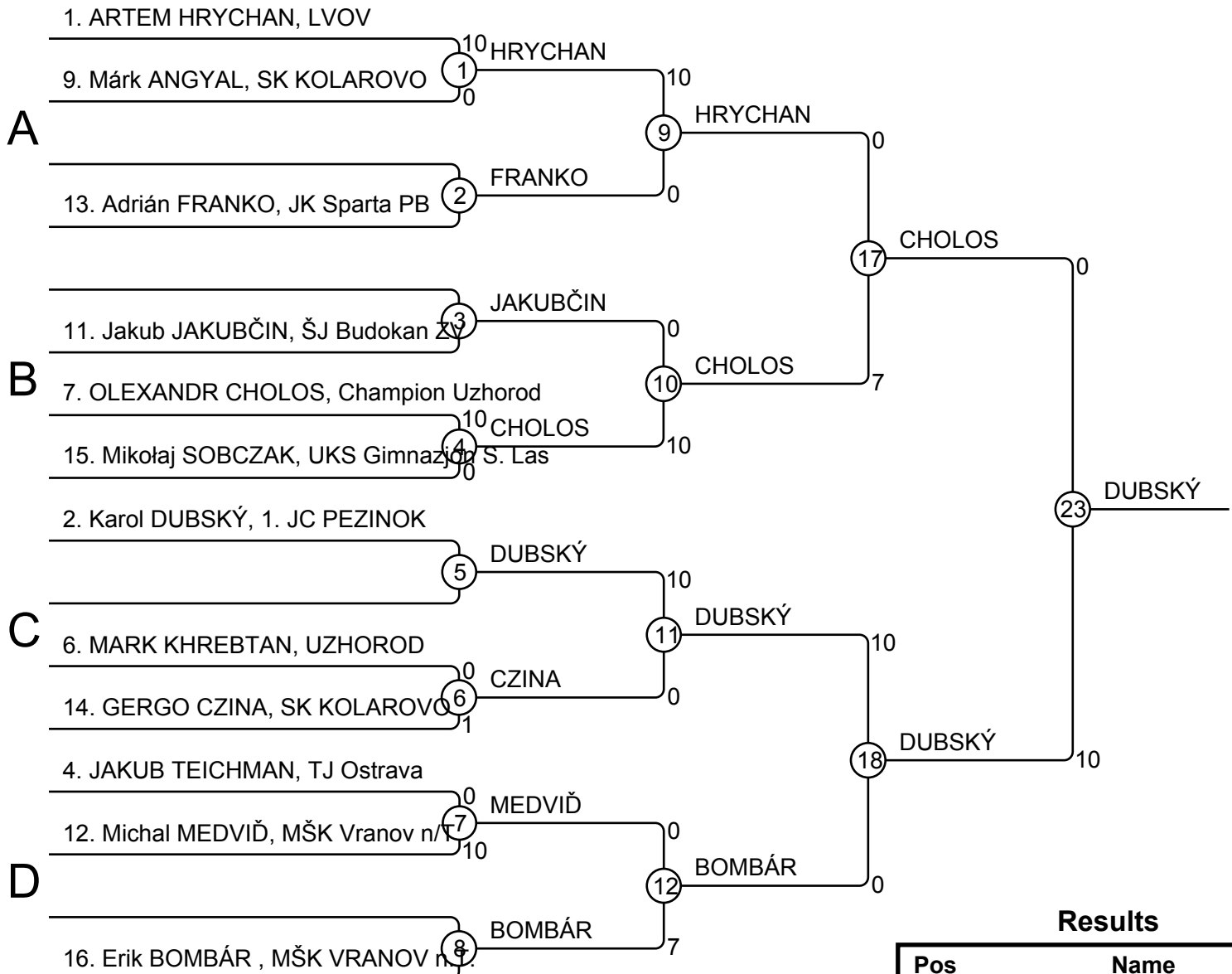
Results

Pos	Name
1	Alexander GURTLER, MŠK VRANOV
2	Tomáš ZACHAROVSKÝ, ŠK UMB BB
3	MARTIN JUSKO, JC BARDEJOV
3	Alexander PETRUNY, ŠK Zemplín MI
5	MICHAL ISTENIK, JK Sparta PB
5	Michal TURCEL, Slávia ŽU Žilina
7	Daniel LIČKO, ŠK Zemplín MI
7	Martin MAČUŠ, JC Bardejov



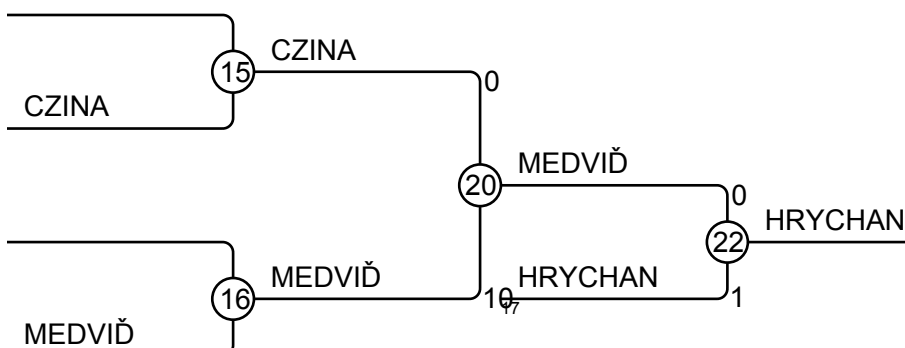
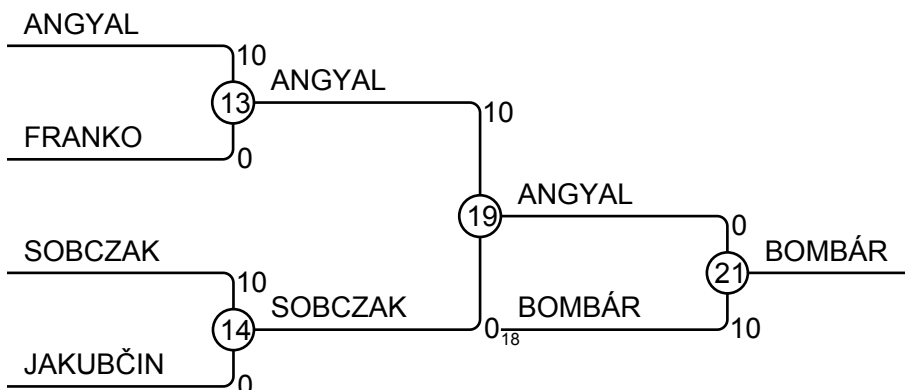
45 MVC 13.06.2015 Michalovce MU13-50

Competitors: 12



Results

Pos	Name
1	Karol DUBSKÝ, 1. JC PEZINOK
2	OLEXANDR CHOLOS, Champion Uz
3	Erik BOMBÁR, MŠK VRANOV n.T.
3	ARTEM HRYCHAN, LVOV
5	Márk ANGYAL, SK KOLAROVO
5	Michal MEDVIĎ, MŠK Vranov n/T
7	Mikolaj SOBCZAK, UKS Gimnazjon S
7	GERGO CZINA, SK KOLAROVO



45 MVC 13.06.2015 Michalovce MU13-60

Competitors: 4

Competitors

#	Name	Grade	Club	1	2	3	4	Wins	Pts	Pos
1	Gabriel POTOMA	?	MŠK Vranov n/T		10	10		2	20	1
2	Marko ROZSIVAL	?	1. JC PEZINOK				5	1	5	4
3	SEBASTIAN SCERBA	?	TJ Ostrava		7			1	7	3
4	ANDRYI MILYUCHENKO	?	UZHOROD	1		5		2	6	2

Matches

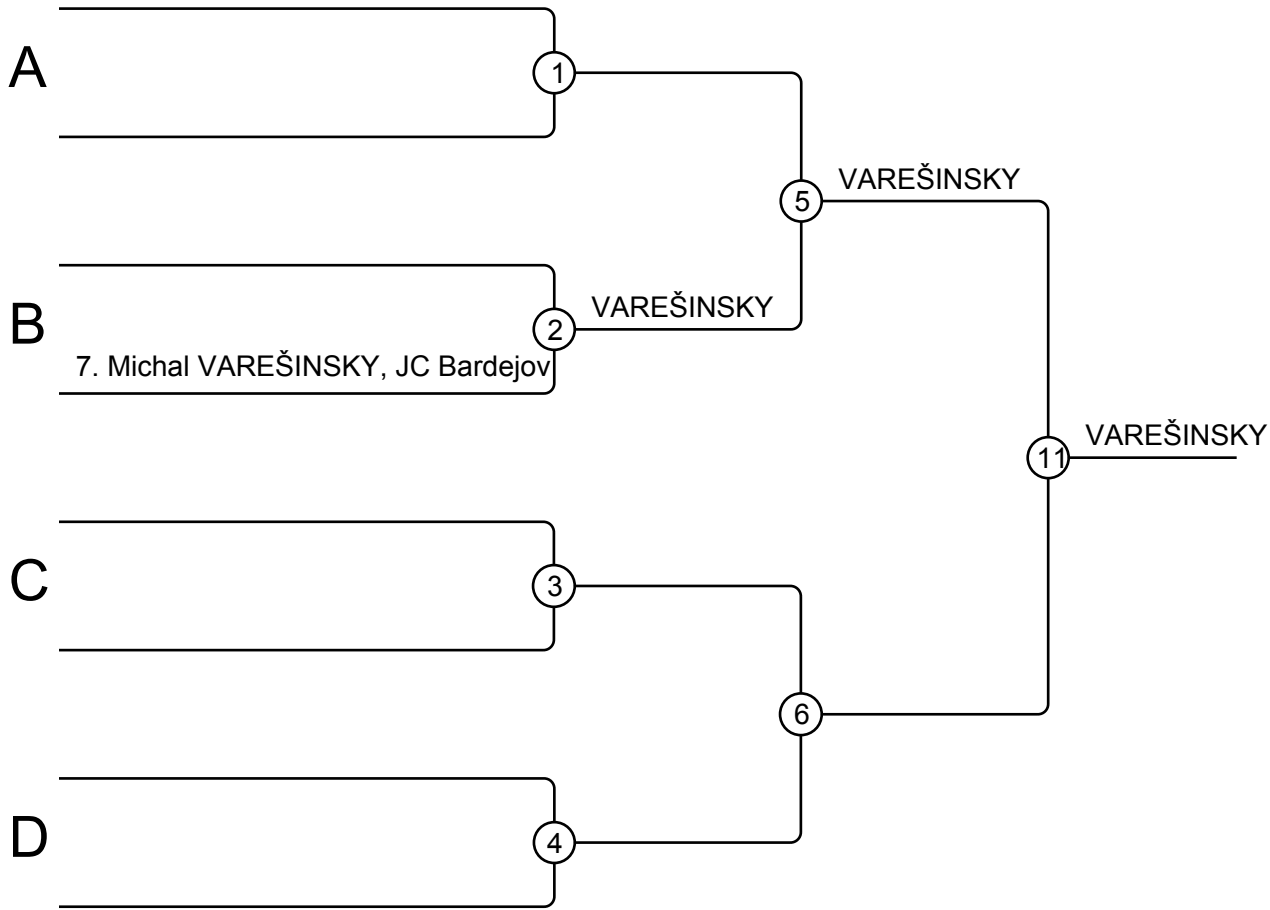
Match	White			Blue	Result	Time
1	Gabriel POTOMA	1	2	Marko ROZSIVAL	10 - 0	1:51
2	SEBASTIAN SCERBA	3	4	ANDRYI MILYUCHENKO	0 - 5	2:00
3	Gabriel POTOMA	1	3	SEBASTIAN SCERBA	10 - 0	1:19
4	Marko ROZSIVAL	2	4	ANDRYI MILYUCHENKO	5 - 0	2:00
5	Gabriel POTOMA	1	4	ANDRYI MILYUCHENKO	0 - 1	2:59
6	Marko ROZSIVAL	2	3	SEBASTIAN SCERBA	0 - 7	2:00

Results

Pos	Name
1	Gabriel POTOMA, MŠK Vranov n/T
2	ANDRYI MILYUCHENKO, UZHOROD
3	SEBASTIAN SCERBA, TJ Ostrava
4	Marko ROZSIVAL, 1. JC PEZINOK

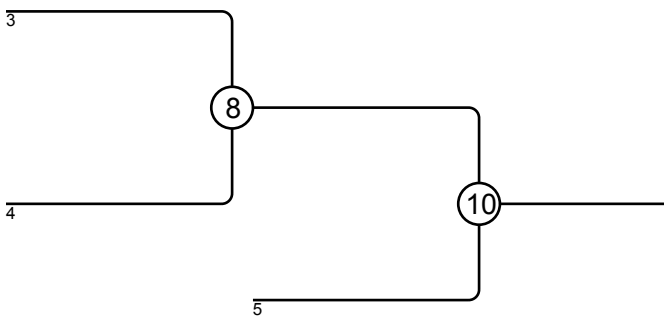
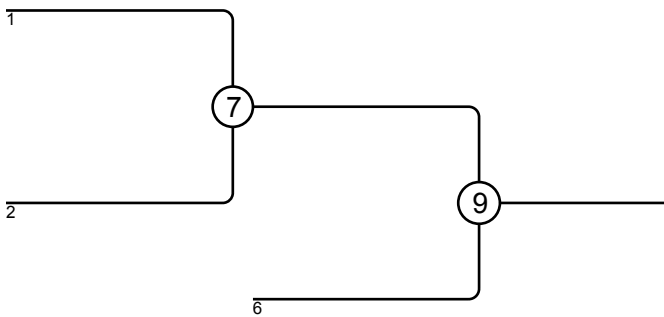
45 MVC 13.06.2015 Michalovce MU13-65

Competitors: 1



Results

Pos	Name
1	Michal VAREŠINSKY, JC Bardejov
2	
3	
3	
5	
5	
7	
7	



45 MVC 13.06.2015 Michalovce MU13+65

Competitors: 2

Competitors

#	Name	Grade	Club	1	2	1	2	1	2	Wins	Pts	Pos
1	Daniel KEREKEŠ	?	ŠK Zemplín MI							0	0	2
2	Dawid WIŚNIEWSKI	?	UKS Gimnazjon S. Las	10		10				2	20	1

Matches

Match	White			Blue	Result	Time
1	Daniel KEREKEŠ	1	2	Dawid WIŚNIEWSKI	0 - 10	0:22
2	Daniel KEREKEŠ	1	2	Dawid WIŚNIEWSKI	0 - 10	0:35
3	Daniel KEREKEŠ	1	2	Dawid WIŚNIEWSKI		

Results

Pos	Name
1	Dawid WIŚNIEWSKI, UKS Gimnazjon S. Las
2	Daniel KEREKEŠ, ŠK Zemplín MI

45 MVC 13.06.2015 Michalovce FU15-44

Competitors: 5

Competitors

#	Name	Grade	Club	1	2	3	4	5	Wins	Pts	Pos
1	JITKA PAVLOVICOVA	?	SkP BB						0	0	5
2	Jana NOVOTNÁ	?	ŠK Zemplín MI	10					1	10	4
3	Simona BOČINCOVÁ	?	JK Sparta PB	10	10			10	3	30	2
4	Silvia TOMÁNKOVÁ	?	1. JC PEZINOK	10	10	10		10	4	40	1
5	Olivia OLHOVÁ	?	JUDO Košice	10	7				2	17	3

Matches

Match	White	Blue	Result	Time
1	Silvia TOMÁNKOVÁ 4 5	Olivia OLHOVÁ	10 - 0	1:01
2	JITKA PAVLOVICOVA 1 2	Jana NOVOTNÁ	0 - 10	1:01
3	Simona BOČINCOVÁ 3 4	Silvia TOMÁNKOVÁ	0 - 10	0:11
4	JITKA PAVLOVICOVA 1 5	Olivia OLHOVÁ	0 - 10	1:00
5	Jana NOVOTNÁ 2 3	Simona BOČINCOVÁ	0 - 10	1:48
6	JITKA PAVLOVICOVA 1 4	Silvia TOMÁNKOVÁ	0 - 10	0:32
7	Simona BOČINCOVÁ 3 5	Olivia OLHOVÁ	10 - 0	1:08
8	Jana NOVOTNÁ 2 4	Silvia TOMÁNKOVÁ	0 - 10	0:24
9	JITKA PAVLOVICOVA 1 3	Simona BOČINCOVÁ	0 - 10	0:23
10	Jana NOVOTNÁ 2 5	Olivia OLHOVÁ	0 - 7	3:00

Results

Pos	Name
1	Silvia TOMÁNKOVÁ, 1. JC PEZINOK
2	Simona BOČINCOVÁ, JK Sparta PB
3	Olivia OLHOVÁ, JUDO Košice
4	Jana NOVOTNÁ, ŠK Zemplín MI
5	JITKA PAVLOVICOVA, SkP BB

45 MVC 13.06.2015 Michalovce FU15-36

Competitors: 1

Competitors

#	Name	Grade	Club	1	Wins	Pts	Pos
1	Markéta HÝLOVÁ	?	TJ Ostrava		0	0	1

Matches

Match	White	Blue	Result	Time
-------	-------	------	--------	------

Results

Pos	Name
1	Markéta HÝLOVÁ, TJ Ostrava

45 MVC 13.06.2015 Michalovce FU15-48

Competitors: 1

Competitors

#	Name	Grade	Club	1	Wins	Pts	Pos
1	Zuzanna RADZICKA	?	UKS Gimnazjon S. Las		0	0	1

Matches

Match	White	Blue	Result	Time
-------	-------	------	--------	------

Results

Pos	Name
1	Zuzanna RADZICKA, UKS Gimnazjon S. Las

45 MVC 13.06.2015 Michalovce FU15-63

Competitors: 3

Competitors

#	Name	Grade	Club	1	2	3	Wins	Pts	Pos
1	Laura KAČUROVÁ	?	ŠK Zemplín MI				0	0	3
2	Slávka IGNÁCOVÁ	?	MŠK VRANOV n.T.	10		7	2	17	1
3	KATKA HOLECKOVA	?	HRADEC KRALOVE	10			1	10	2

Matches

Match	White			Blue	Result	Time
1	Laura KAČUROVÁ	1	2	Slávka IGNÁCOVÁ	0 - 10	1:14
2	Laura KAČUROVÁ	1	3	KATKA HOLECKOVA	0 - 10	0:06
3	Slávka IGNÁCOVÁ	2	3	KATKA HOLECKOVA	7 - 0	3:00

Results

Pos	Name
1	Slávka IGNÁCOVÁ, MŠK VRANOV n.T.
2	KATKA HOLECKOVA, HRADEC KRALOVE
3	Laura KAČUROVÁ, ŠK Zemplín MI

45 MVC 13.06.2015 Michalovce FU15+63

Competitors: 3

Competitors

#	Name	Grade	Club	1	2	3	Wins	Pts	Pos
1	Diana CHALACHANOVÁ	?	TJ Mladost' PP				0	0	3
2	Katarína IHNÁTOVÁ	?	MŠK Vranov n/T	10			1	10	2
3	Karolína PAVLASOVÁ	?	TJ Ostrava	10	10		2	20	1

Matches

Match	White		Blue	Result	Time
1	Diana CHALACHANOVÁ	1 2	Katarína IHNÁTOVÁ	0 - 10	0:54
2	Diana CHALACHANOVÁ	1 3	Karolína PAVLASOVÁ	0 - 10	0:05
3	Katarína IHNÁTOVÁ	2 3	Karolína PAVLASOVÁ	0 - 10	0:49

Results

Pos	Name
1	Karolína PAVLASOVÁ, TJ Ostrava
2	Katarína IHNÁTOVÁ, MŠK Vranov n/T
3	Diana CHALACHANOVÁ, TJ Mladost' PP

45 MVC 13.06.2015 Michalovce MU15-34

Competitors: 2

Competitors

#	Name	Grade	Club	1	2	1	2	1	2	Wins	Pts	Pos
1	ROMAN SHYIKA	?	LVOV		1		5			2	6	1
2	DMYTRO MYKHAILENKO	?	JC SOKOLYA							0	0	2

Matches

Match	White			Blue	Result	Time
1	ROMAN SHYIKA	1	2	DMYTRO MYKHAILENKO	1 - 0	5:27
2	ROMAN SHYIKA	1	2	DMYTRO MYKHAILENKO	5 - 0	3:00
3	ROMAN SHYIKA	1	2	DMYTRO MYKHAILENKO		

Results

Pos	Name
1	ROMAN SHYIKA, LVOV
2	DMYTRO MYKHAILENKO, JC SOKOLYA

45 MVC 13.06.2015 Michalovce MU15-38

Competitors: 2

Competitors

#	Name	Grade	Club	1	2	1	2	1	2	Wins	Pts	Pos
1	MIKLOS LEVENTE TOTH	?	SK KOLAROVO		10		10			2	20	1
2	JAKUB ŠTEVKA	?	TJ Mladost' PP							0	0	2

Matches

Match	White			Blue	Result	Time
1	MIKLOS LEVENTE TOTH	1	2	JAKUB ŠTEVKA	10 - 0	1:03
2	MIKLOS LEVENTE TOTH	1	2	JAKUB ŠTEVKA	10 - 0	0:26
3	MIKLOS LEVENTE TOTH	1	2	JAKUB ŠTEVKA		

Results

Pos	Name
1	MIKLOS LEVENTE TOTH, SK KOLAROVO
2	JAKUB ŠTEVKA, TJ Mladost' PP

45 MVC 13.06.2015 Michalovce MU15-42

Competitors: 7

Competitors A

#	Name	Grade	Club	1	2	3	4	Wins	Pts	Pos
1	IVAN PAVLUCHOK	?	UZHOROD		10	10	10	3	30	1
2	Oleksandr MYKULANYNETS	?	Champion Uzhorod					0	0	4
3	Patrick JACKANIN	?	JC Bardejov		10			1	10	3
4	NAGLIS CERNIAUSKAS	?	ALYTUS		5	10		2	15	2

Matches A

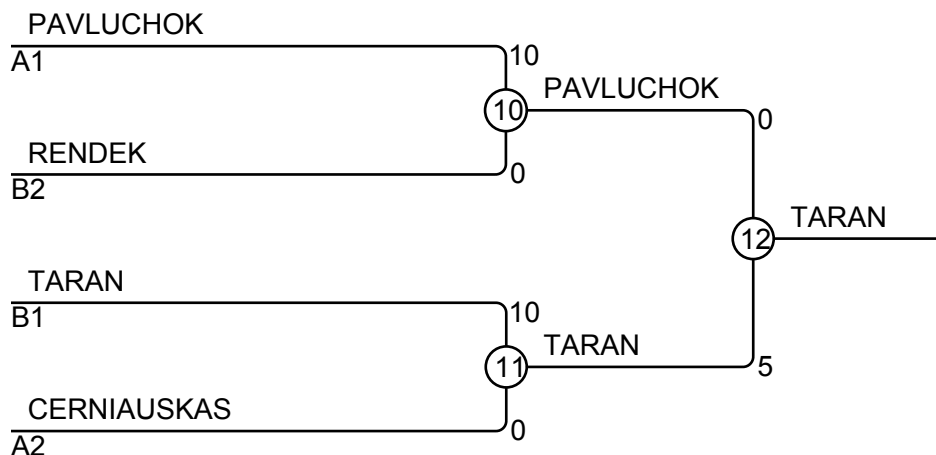
Match	White	Blue	Result	Time
1	IVAN PAVLUCHOK 1 2	Oleksandr MYKULANYNETS	10 - 0	2:52
2	Patrick JACKANIN 3 4	NAGLIS CERNIAUSKAS	0 - 10	1:57
4	IVAN PAVLUCHOK 1 3	Patrick JACKANIN	10 - 0	1:55
5	Oleksandr MYKULANYNETS 2 4	NAGLIS CERNIAUSKAS	0 - 5	3:00
7	IVAN PAVLUCHOK 1 4	NAGLIS CERNIAUSKAS	10 - 0	1:54
8	Oleksandr MYKULANYNETS 2 3	Patrick JACKANIN	0 - 10	1:23

Competitors B

#	Name	Grade	Club	5	6	7	Wins	Pts	Pos
5	ANDRYI TARAN	?	UZHOROD		10	10	2	20	1
6	Adam PAWLICKI	?	UKS Gimnazjon S. Las				0	0	3
7	Július RENDEK	?	JK KATSUDO LC		10		1	10	2

Matches B

Match	White	Blue	Result	Time
3	ANDRYI TARAN 5 6	Adam PAWLICKI	10 - 0	0:31
6	ANDRYI TARAN 5 7	Július RENDEK	10 - 0	0:56
9	Adam PAWLICKI 6 7	Július RENDEK	0 - 10	0:37



Results

Pos	Name
1	ANDRYI TARAN, UZHOROD
2	IVAN PAVLUCHOK, UZHOROD
3	Július RENDEK, JK KATSUDO LC
3	NAGLIS CERNIAUSKAS, ALYTUS

45 MVC 13.06.2015 Michalovce MU15-46

Competitors: 6

Competitors A

#	Name	Grade	Club	1	2	3	Wins	Pts	Pos
1	OLEG MIRONYUK	?	UZHOROD				0	0	3
2	KYRYLO LIETIENKOV	?	JC SOKOLYA	10			1	10	2
3	BARTŁOMIEJ WITKOWSKI	?	ŠK Zemplín MI	10	10		2	20	1

Matches A

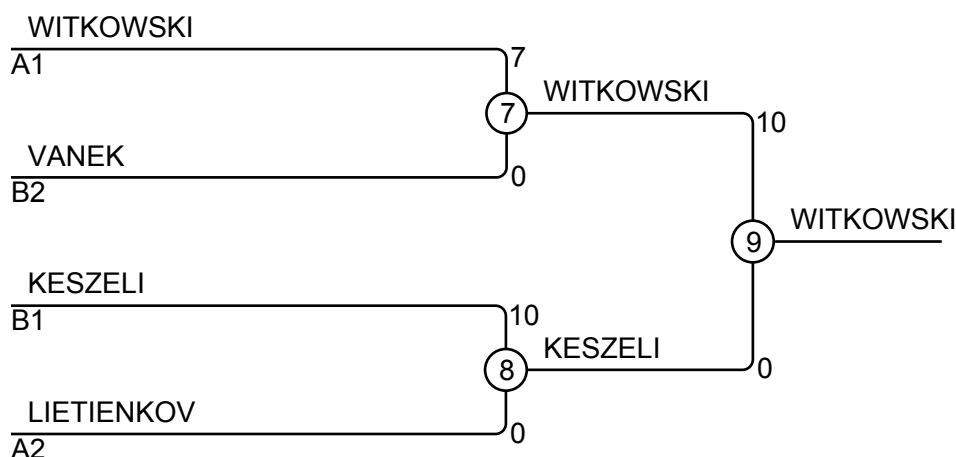
Match	White	Blue	Result	Time
1	OLEG MIRONYUK 1 2	KYRYLO LIETIENKOV	0 - 10	0:43
3	OLEG MIRONYUK 1 3	BARTŁOMIEJ WITKOWSKI	0 - 10	1:28
5	KYRYLO LIETIENKOV 2 3	BARTŁOMIEJ WITKOWSKI	0 - 10	0:56

Competitors B

#	Name	Grade	Club	4	5	6	Wins	Pts	Pos
4	MYKHAILO HUMENIUK	?	LVOV				0	0	3
5	Róbert KESZELI	?	SK KOLAROVO	10		10	2	20	1
6	MIROSLAV VANEK	?	JC BARDEJOV	1			1	1	2

Matches B

Match	White	Blue	Result	Time
2	MYKHAILO HUMENIUK 4 5	Róbert KESZELI	0 - 10	0:25
4	MYKHAILO HUMENIUK 4 6	MIROSLAV VANEK	0 - 1	2:15
6	Róbert KESZELI 5 6	MIROSLAV VANEK	10 - 0	2:15



Results

Pos	Name
1	BARTŁOMIEJ WITKOWSKI, ŠK Zemplín MI
2	Róbert KESZELI, SK KOLAROVO
3	MIROSLAV VANEK, JC BARDEJOV
3	KYRYLO LIETIENKOV, JC SOKOLYA

45 MVC 13.06.2015 Michalovce MU15-50

Competitors: 3

Competitors

#	Name	Grade	Club	1	2	3	Wins	Pts	Pos
1	Matúš GAŠPAROVIČ	?	1. JC PEZINOK		10	10	2	20	1
2	Miloš NEUVIRTH	?	DK SNV				0	0	3
3	Štefan KOREŇ	?	ŠK Zemplín MI		10		1	10	2

Matches

Match	White			Blue	Result	Time
1	Matúš GAŠPAROVIČ	1	2	Miloš NEUVIRTH	10 - 0	0:04
2	Matúš GAŠPAROVIČ	1	3	Štefan KOREŇ	10 - 0	0:17
3	Miloš NEUVIRTH	2	3	Štefan KOREŇ	0 - 10	0:20

Results

Pos	Name
1	Matúš GAŠPAROVIČ, 1. JC PEZINOK
2	Štefan KOREŇ, ŠK Zemplín MI
3	Miloš NEUVIRTH, DK SNV

45 MVC 13.06.2015 Michalovce MU15-55

Competitors: 6

Competitors A

#	Name	Grade	Club	1	2	3	Wins	Pts	Pos
1	VOLODYMYR RUBAN	?	JC SOKOLYA		10	10	2	20	1
2	Alexander VARGA	?	TJ Mladost' RS			10	1	10	2
3	VOLODYMYR ANDRUSHKIV	?	LVOV				0	0	3

Matches A

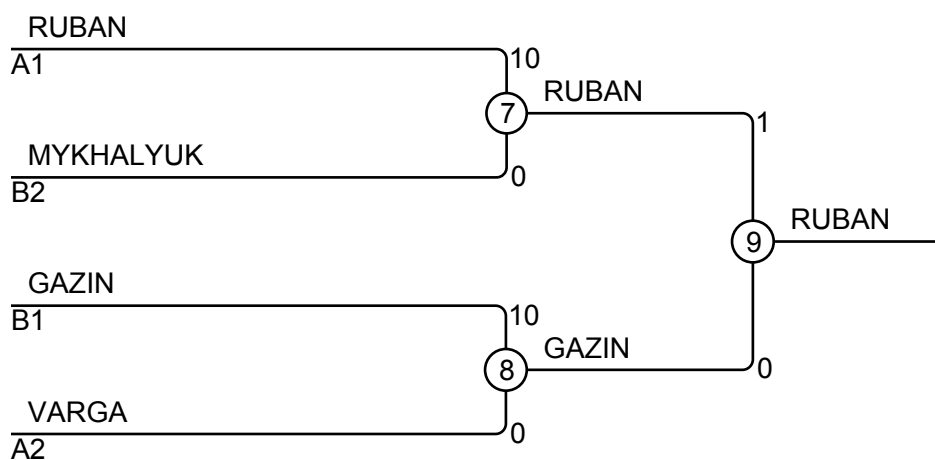
Match	White	Blue	Result	Time
1	VOLODYMYR RUBAN 1 2	Alexander VARGA	10 - 0	0:59
3	VOLODYMYR RUBAN 1 3	VOLODYMYR ANDRUSHKIV	10 - 0	2:15
5	Alexander VARGA 2 3	VOLODYMYR ANDRUSHKIV	10 - 0	0:38

Competitors B

#	Name	Grade	Club	4	5	6	Wins	Pts	Pos
4	DMYTRO MYKHALYUK	?	LVOV		10		1	10	2
5	TIBOR KULICH	?	SK KOLAROVO				0	0	3
6	MAKSYM GAZIN	?	LVOV	5	10		2	15	1

Matches B

Match	White	Blue	Result	Time
2	DMYTRO MYKHALYUK 4 5	TIBOR KULICH	10 - 0	0:41
4	DMYTRO MYKHALYUK 4 6	MAKSYM GAZIN	0 - 5	3:00
6	TIBOR KULICH 5 6	MAKSYM GAZIN	0 - 10	1:50



Results

Pos	Name
1	VOLODYMYR RUBAN, JC SOKOLYA
2	MAKSYM GAZIN, LVOV
3	DMYTRO MYKHALYUK, LVOV
3	Alexander VARGA, TJ Mladost' RS

45 MVC 13.06.2015 Michalovce MU15-60

Competitors: 6

Competitors A

#	Name	Grade	Club	1	2	3	Wins	Pts	Pos
1	JURIJ DYAKIN	?	LVOV				0	0	3
2	VLADYSLAV BULGAKOV	?	UZHOROD	5		10	2	15	1
3	Tomáš BARČ	?	DK SNV	10			1	10	2

Matches A

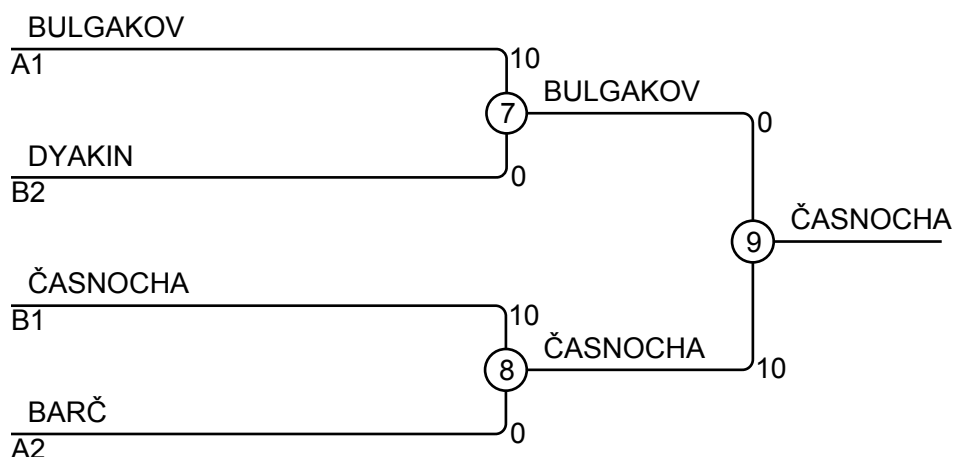
Match	White	Blue	Result	Time
1	JURIJ DYAKIN	1 2 VLADYSLAV BULGAKOV	0 - 5	3:00
3	JURIJ DYAKIN	1 3 Tomáš BARČ	0 - 10	0:00
5	VLADYSLAV BULGAKOV	2 3 Tomáš BARČ	10 - 0	0:39

Competitors B

#	Name	Grade	Club	4	5	6	Wins	Pts	Pos
4	Filip ČASNOCHA	?	1. JC PEZINOK		10	10	2	20	1
5	Markus Marián POPOVIČ	?	ŠK Zemplín MI				0	0	3
6	YULIAN DYAKIN	?	LVOV		10		1	10	2

Matches B

Match	White	Blue	Result	Time
2	Filip ČASNOCHA	4 5 Markus Marián POPOVIČ	10 - 0	0:28
4	Filip ČASNOCHA	4 6 YULIAN DYAKIN	10 - 0	0:41
6	Markus Marián POPOVIČ	5 6 YULIAN DYAKIN	0 - 10	0:32



Results

Pos	Name
1	Filip ČASNOCHA, 1. JC PEZINOK
2	VLADYSLAV BULGAKOV, UZHOROD
3	YULIAN DYAKIN, LVOV
3	Tomáš BARČ, DK SNV

45 MVC 13.06.2015 Michalovce MU15-66

Competitors: 4

Competitors

#	Name	Grade	Club	1	2	3	4	Wins	Pts	Pos
1	ADAM SARGA	?	DK SNV				10	1	10	4
2	Stanislav DERMEK	?	ŠK Zemplín MI	10				1	10	3
3	ANDRYI SUDARIKOV	?	LVOV	10	10		10	3	30	1
4	MATVIY BORZENKO	?	JC SOKOLYA		10			1	10	2

Matches

Match	White			Blue	Result	Time
1	ADAM SARGA	1	2	Stanislav DERMEK	0 - 10	0:32
2	ANDRYI SUDARIKOV	3	4	MATVIY BORZENKO	10 - 0	0:50
3	ADAM SARGA	1	3	ANDRYI SUDARIKOV	0 - 10	2:00
4	Stanislav DERMEK	2	4	MATVIY BORZENKO	0 - 10	1:59
5	ADAM SARGA	1	4	MATVIY BORZENKO	10 - 0	1:04
6	Stanislav DERMEK	2	3	ANDRYI SUDARIKOV	0 - 10	1:36

Results

Pos	Name
1	ANDRYI SUDARIKOV, LVOV
2	MATVIY BORZENKO, JC SOKOLYA
3	Stanislav DERMEK, ŠK Zemplín MI
4	ADAM SARGA, DK SNV

45 MVC 13.06.2015 Michalovce MU15-73

Competitors: 3

Competitors

#	Name	Grade	Club	1	2	3	Wins	Pts	Pos
1	SAMUEL RET	?	SkP BB		10	10	2	20	1
2	Šimon BARDÁK	?	TJ Slávia PU Prešov			10	1	10	2
3	YEVHENIY SOLYANIK	?	UZHOROD				0	0	3

Matches

Match	White			Blue	Result	Time
1	SAMUEL RET	1	2	Šimon BARDÁK	10 - 0	0:50
2	SAMUEL RET	1	3	YEVHENIY SOLYANIK	10 - 0	1:31
3	Šimon BARDÁK	2	3	YEVHENIY SOLYANIK	10 - 0	1:54

Results

Pos	Name
1	SAMUEL RET, SkP BB
2	Šimon BARDÁK, TJ Slávia PU Prešov
3	YEVHENIY SOLYANIK, UZHOROD

45 MVC 13.06.2015 Michalovce MU15+73

Competitors: 4

Competitors

#	Name	Grade	Club	1	2	3	4	Wins	Pts	Pos
1	JAN KORTIS	?	SkP BB				10	1	10	3
2	Jakub VAVRÍK	?	Slávia ŽU Žilina	10				1	10	4
3	MARTYNAS SORAKA	?	ALYTUS	10	10		10	3	30	1
4	DZONATAN PAVIC	?	BECEJ		10			1	10	2

Matches

Match	White			Blue	Result	Time
1	JAN KORTIS	1	2	Jakub VAVRÍK	0 - 10	1:57
2	MARTYNAS SORAKA	3	4	DZONATAN PAVIC	10 - 0	0:07
3	JAN KORTIS	1	3	MARTYNAS SORAKA	0 - 10	0:38
4	Jakub VAVRÍK	2	4	DZONATAN PAVIC	0 - 10	0:51
5	JAN KORTIS	1	4	DZONATAN PAVIC	10 - 0	2:37
6	Jakub VAVRÍK	2	3	MARTYNAS SORAKA	0 - 10	0:04

Results

Pos	Name
1	MARTYNAS SORAKA, ALYTUS
2	DZONATAN PAVIC, BECEJ
3	JAN KORTIS, SkP BB
4	Jakub VAVRÍK, Slávia ŽU Žilina