

GRAND PRIX 28.02-01.03.2015 BANSKA BYSTRICA FU11-4

Competitors: 3

Competitors

#	Name	Grade	Club	1	2	3	Wins	Pts	Pos
1	Nina NAGYOVÁ (44,94)	?	Slávia STU BA		10	10	2	20	1
2	Nina TONHAJZEROVÁ (48,58)	?	Lokomotiva RS			10	1	10	2
3	Nina FILKOROVÁ (46,44)	?	ŠK UMB BB				0	0	3

Matches

Match	White			Blue	Result	Time
1	Nina NAGYOVÁ	1	2	Nina TONHAJZEROVÁ	10 - 0	1:55
2	Nina NAGYOVÁ	1	3	Nina FILKOROVÁ	10 - 0	1:07
3	Nina TONHAJZEROVÁ	2	3	Nina FILKOROVÁ	10 - 0	0:56

Results

Pos	Name
1	Nina NAGYOVÁ, Slávia STU BA
2	Nina TONHAJZEROVÁ, Lokomotiva RS
3	Nina FILKOROVÁ, ŠK UMB BB

GRAND PRIX 28.02-01.03.2015 BANSKA BYSTRICA FU11-2

Competitors: 3

Competitors

#	Name	Grade	Club	1	2	3	Wins	Pts	Pos
1	Simon MATUŠKA (20,60)	?	JK KATSUDO LUČENEC		5	10	2	15	1
2	Kristina Lili KRIŽOVÁ (18,50)	?	JK KATSUDO LUČENEC				0	0	3
3	Marek MACEJKA (21,10)	?	1JC PEZINOK		10		1	10	2

Matches

Match	White			Blue	Result	Time
1	Simon MATUŠKA	1	2	Kristina Lili KRIŽOVÁ	5 - 0	2:00
2	Simon MATUŠKA	1	3	Marek MACEJKA	10 - 0	1:49
3	Kristina Lili KRIŽOVÁ	2	3	Marek MACEJKA	0 - 10	0:51

Results

Pos	Name
1	Simon MATUŠKA, JK KATSUDO LUČENEC
2	Marek MACEJKA, 1JC PEZINOK
3	Kristina Lili KRIŽOVÁ, JK KATSUDO LUČENEC

GRAND PRIX 28.02-01.03.2015 BANSKA BYSTRICA FU11-2

Competitors: 9

Competitors A

#	Name	Grade	Club	1	2	3	4	5	Wins	Pts	Pos
1	Sara TITKOVÁ (26,88)	?	MŠK Vranov n. T.		10	10	10	10	4	40	1
2	Wiktoría KOZERA (26,80)	?	WKS ŚLĄSK WROCLAW			10	10		2	20	3
3	Nela DOBROCKÁ (25,44)	?	JK KATSUDO LUČENEC				10		1	10	4
4	Michal BARTOŠEK (26,82)	?	JC TJ Strojár MA						0	0	5
5	Natália GAŽIOVÁ (26,52)	?	Lokomotiva RS		10	10	5		3	25	2

Matches A

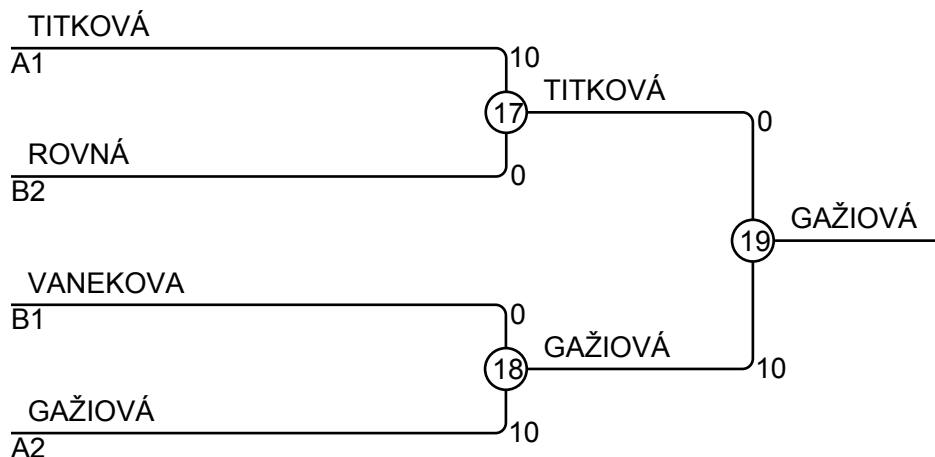
Match	White	Blue	Result	Time
1	Michal BARTOŠEK 4	Natália GAŽIOVÁ 5	0 - 5	2:00
2	Sara TITKOVÁ 1	Wiktoría KOZERA 2	10 - 0	0:11
4	Nela DOBROCKÁ 3	Michal BARTOŠEK 4	10 - 0	0:00
5	Sara TITKOVÁ 1	Natália GAŽIOVÁ 5	10 - 0	0:20
7	Wiktoría KOZERA 2	Nela DOBROCKÁ 3	10 - 0	0:37
9	Sara TITKOVÁ 1	Michal BARTOŠEK 4	10 - 0	0:00
10	Nela DOBROCKÁ 3	Natália GAŽIOVÁ 5	0 - 10	0:04
12	Wiktoría KOZERA 2	Michal BARTOŠEK 4	10 - 0	0:01
13	Sara TITKOVÁ 1	Nela DOBROCKÁ 3	10 - 0	0:09
15	Wiktoría KOZERA 2	Natália GAŽIOVÁ 5	0 - 10	0:31

Competitors B

#	Name	Grade	Club	6	7	8	9	Wins	Pts	Pos
6	Magdaléna KAČALIAKOVÁ (24,30)	?	ŠK UMB BB					0	0	4
7	Barbora ROVNÁ (25,76)	?	JC TJ Strojár MA	10			10	2	20	2
8	Tereza VANEKOVA (25,72)	?	JC Bardejov	10	10		10	3	30	1
9	Hanna GUZIŇSKA (25,76)	?	WKS ŚLĄSK WROCLAW	10				1	10	3

Matches B

Match	White	Blue	Result	Time
3	Magdaléna KAČALIAKOVÁ 6	Barbora ROVNÁ 7	0 - 10	0:00
6	Tereza VANEKOVA 8	Hanna GUZIŇSKA 9	10 - 0	1:53
8	Magdaléna KAČALIAKOVÁ 6	Tereza VANEKOVA 8	0 - 10	0:00
11	Barbora ROVNÁ 7	Hanna GUZIŇSKA 9	10 - 0	1:14
14	Magdaléna KAČALIAKOVÁ 6	Hanna GUZIŇSKA 9	0 - 10	0:00
16	Barbora ROVNÁ 7	Tereza VANEKOVA 8	0 - 10	0:46



Results

Pos	Name
1	Natália GAŽIOVÁ, Lokomotiva RS
2	Sara TITKOVÁ, MŠK Vranov n. T.
3	Barbora ROVNÁ, JC TJ Strojár MA
3	Tereza VANEKOVA, JC Bardejov

GRAND PRIX 28.02-01.03.2015 BANSKA BYSTRICA FU11-3

Competitors: 3

Competitors

#	Name	Grade	Club	1	2	3	Wins	Pts	Pos
1	Martina SEKOVÁ (29,02)	?	JK Považská Bystrica		10	10	2	20	1
2	EMA TOMKOVA (29,02)	?	ŠK UMB BB				0	0	3
3	LILLY PODHOROVA (29,18)	?	JUNIOR LC		10		1	10	2

Matches

Match	White			Blue	Result	Time
1	Martina SEKOVÁ	1	2	EMA TOMKOVA	10 - 0	0:00
2	Martina SEKOVÁ	1	3	LILLY PODHOROVA	10 - 0	0:37
3	EMA TOMKOVA	2	3	LILLY PODHOROVA	0 - 10	0:00

Results

Pos	Name
1	Martina SEKOVÁ, JK Považská Bystrica
2	LILLY PODHOROVA, JUNIOR LC
3	EMA TOMKOVA, ŠK UMB BB

GRAND PRIX 28.02-01.03.2015 BANSKA BYSTRICA FU11-3

Competitors: 8

Competitors A

#	Name	Grade	Club	1	2	3	4	Wins	Pts	Pos
1	Lenka TOMÁNKOVÁ (34,06)	?	1JC PEZINOK		10		10	2	20	2
2	Ella MOZOLOVÁ (33,50)	?	ŠK UMB BB					0	0	4
3	ZUZANA PRICHYSTALOVA (33,94)		SK TORI	5	10		10	3	25	1
4	Bedřich BLAŽEK (32,84)	?	JK Jablonec n. N.		10			1	10	3

Matches A

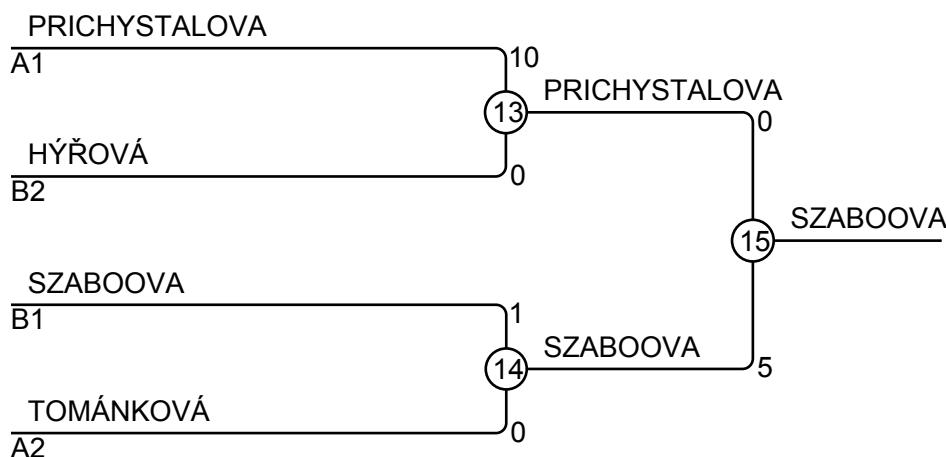
Match	White	Blue	Result	Time
1	Lenka TOMÁNKOVÁ 1	Ella MOZOLOVÁ 2	10 - 0	0:05
3	ZUZANA PRICHYSTALOVA 3	Bedřich BLAŽEK 4	10 - 0	0:40
5	Lenka TOMÁNKOVÁ 1	ZUZANA PRICHYSTALOVA 3	0 - 5	2:00
7	Ella MOZOLOVÁ 2	Bedřich BLAŽEK 4	0 - 10	0:06
9	Lenka TOMÁNKOVÁ 1	Bedřich BLAŽEK 4	10 - 0	1:01
11	Ella MOZOLOVÁ 2	ZUZANA PRICHYSTALOVA 3	0 - 10	0:04

Competitors B

#	Name	Grade	Club	5	6	7	8	Wins	Pts	Pos
5	MARGARETA SZABOOVA (32,92)		SK KOLAROVO		10	10	10	3	30	1
6	Eliška HÝŘOVÁ (32,66)	?	JK Jablonec n. N.			10	10	2	20	2
7	Miriam BUKOVČANOVÁ (31,26)	?	ŠK UMB BB					0	0	4
8	Kristínka ŠVELKOVÁ (34,00)	?	TJ Mladost Žilina			10		1	10	3

Matches B

Match	White	Blue	Result	Time
2	MARGARETA SZABOOVA 5	Eliška HÝŘOVÁ 6	10 - 0	0:46
4	Miriam BUKOVČANOVÁ 7	Kristínka ŠVELKOVÁ 8	0 - 10	1:12
6	MARGARETA SZABOOVA 5	Miriam BUKOVČANOVÁ 7	10 - 0	0:26
8	Eliška HÝŘOVÁ 6	Kristínka ŠVELKOVÁ 8	10 - 0	0:24
10	MARGARETA SZABOOVA 5	Kristínka ŠVELKOVÁ 8	10 - 0	0:36
12	Eliška HÝŘOVÁ 6	Miriam BUKOVČANOVÁ 7	10 - 0	0:24



Results

Pos	Name
1	MARGARETA SZABOOVA, SK KOLAROVO
2	ZUZANA PRICHYSTALOVA, SK TORI
3	Eliška HÝŘOVÁ, JK Jablonec n. N.
3	Lenka TOMÁNKOVÁ, 1JC PEZINOK

GRAND PRIX 28.02-01.03.2015 BANSKA BYSTRICA FU11-4

Competitors: 4

Competitors

#	Name	Grade	Club	1	2	3	4	Wins	Pts	Pos
1	Dorota LÁBOVÁ (40,50)	?	MŠK Vranov n. T.		10	1		2	11	2
2	Regína ŠEJIRMANOVÁ (40,76)	?	Slávia STU BA			7		1	7	4
3	JOHANA VLACHOVÁ (38,62)	?	Judoclub Liberec				10	1	10	3
4	Hanna DOBROWOLSKA (40,10)?	?	WKS ŚLĄSK WROCŁAW	7	10			2	17	1

Matches

Match	White			Blue	Result	Time
1	Dorota LÁBOVÁ	1	2	Regína ŠEJIRMANOVÁ	10 - 0	1:59
2	JOHANA VLACHOVÁ	3	4	Hanna DOBROWOLSKA	10 - 0	0:11
3	Dorota LÁBOVÁ	1	3	JOHANA VLACHOVÁ	1 - 0	2:00
4	Regína ŠEJIRMANOVÁ	2	4	Hanna DOBROWOLSKA	0 - 10	0:51
5	Dorota LÁBOVÁ	1	4	Hanna DOBROWOLSKA	0 - 7	2:00
6	Regína ŠEJIRMANOVÁ	2	3	JOHANA VLACHOVÁ	7 - 0	2:00

Results

Pos	Name
1	Hanna DOBROWOLSKA, WKS ŚLĄSK WROCŁAW
2	Dorota LÁBOVÁ, MŠK Vranov n. T.
3	JOHANA VLACHOVÁ, Judoclub Liberec
4	Regína ŠEJIRMANOVÁ, Slávia STU BA

GRAND PRIX 28.02-01.03.2015 BANSKA BYSTRICA MU11-2

Competitors: 7

Competitors A

#	Name	Grade	Club	1	2	3	4	Wins	Pts	Pos
1	Martin ZVARA (23,18)	?	TJ Mladost' RS			1		1	1	3
2	OLAF FIGLUS (22,04)	?	UKS JUDO MYSŁOWICE	10		10	10	3	30	1
3	DOMINIK DRUGDA (23,78)	?	JUNIOR LC					0	0	4
4	Stanisław KOCISZEWSKI (22,14)	?	WKS ŚLĄSK WROCŁAW	10		10		2	20	2

Matches A

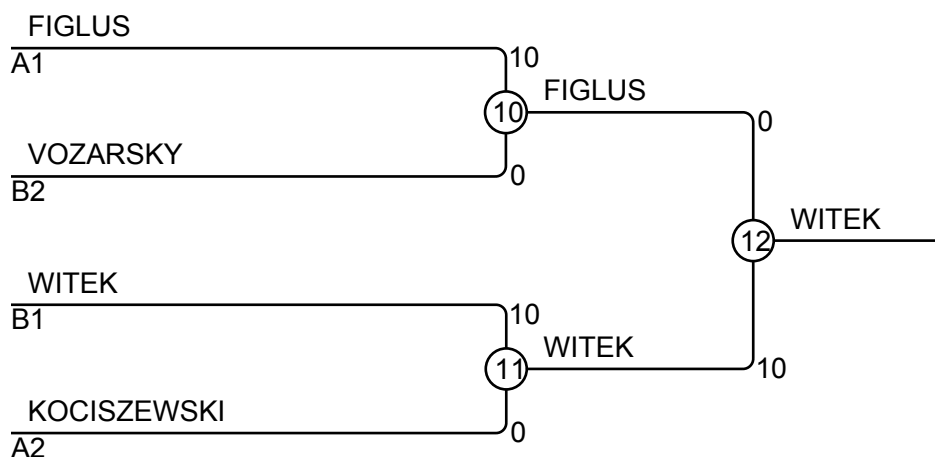
Match	White	Blue	Result	Time
1	Martin ZVARA 1 2	OLAF FIGLUS	0 - 10	1:01
2	DOMINIK DRUGDA 3 4	Stanisław KOCISZEWSKI	0 - 10	1:04
4	Martin ZVARA 1 3	DOMINIK DRUGDA	1 - 0	3:04
5	OLAF FIGLUS 2 4	Stanisław KOCISZEWSKI	10 - 0	0:30
7	Martin ZVARA 1 4	Stanisław KOCISZEWSKI	0 - 10	0:33
8	OLAF FIGLUS 2 3	DOMINIK DRUGDA	10 - 0	0:07

Competitors B

#	Name	Grade	Club	5	6	7	Wins	Pts	Pos
5	Antonin MULLER (23,82)	?	TJ Mladost' RS				0	0	3
6	Oliver VOZARSKY (23,04)	?	JC Bardejov	10			1	10	2
7	WIKTOR WITEK (24,18)	?	UKS JUDO MYSŁOWICE	10	5		2	15	1

Matches B

Match	White	Blue	Result	Time
3	Antonin MULLER 5 6	Oliver VOZARSKY	0 - 10	2:00
6	Antonin MULLER 5 7	WIKTOR WITEK	0 - 10	0:28
9	Oliver VOZARSKY 6 7	WIKTOR WITEK	0 - 5	2:00

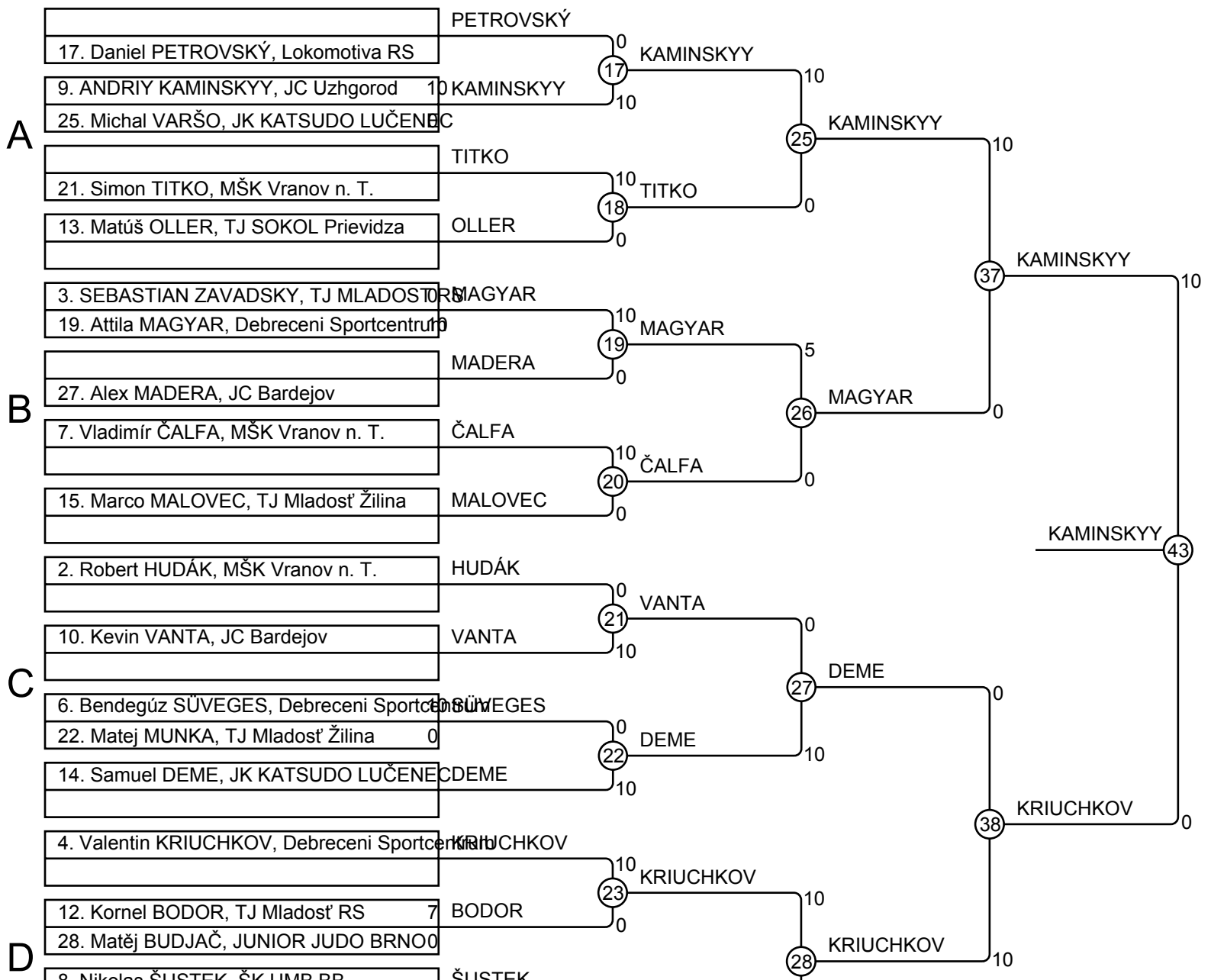


Results

Pos	Name
1	WIKTOR WITEK, UKS JUDO MYSŁOWICE
2	OLAF FIGLUS, UKS JUDO MYSŁOWICE
3	Oliver VOZARSKY, JC Bardejov
3	Stanisław KOCISZEWSKI, WKS ŚLĄSK WROCŁAW

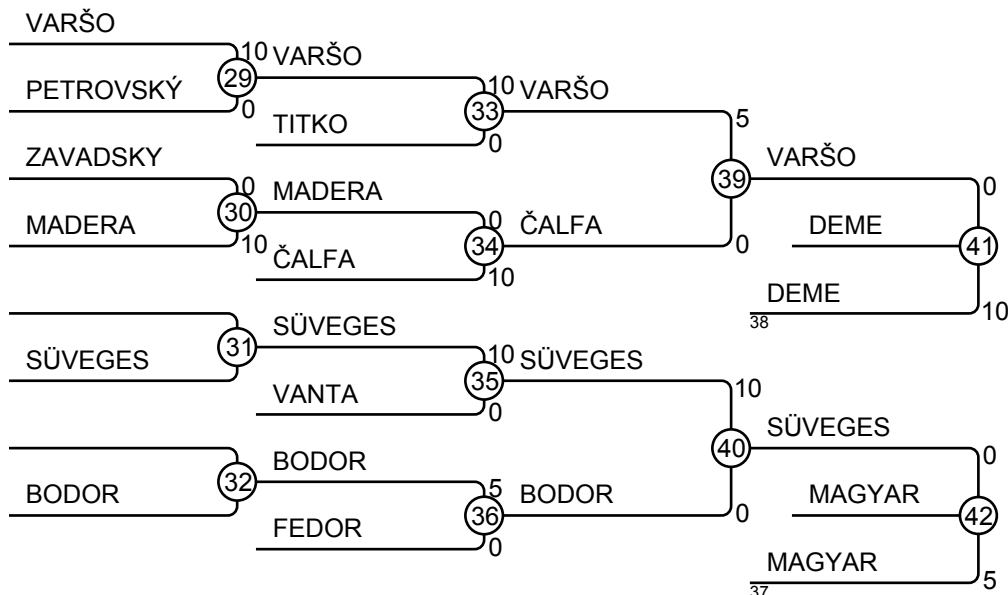
GRAND PRIX 28.02-01.03.2015 BANSKA BYSTRICA MU11-2

Competitors: 20



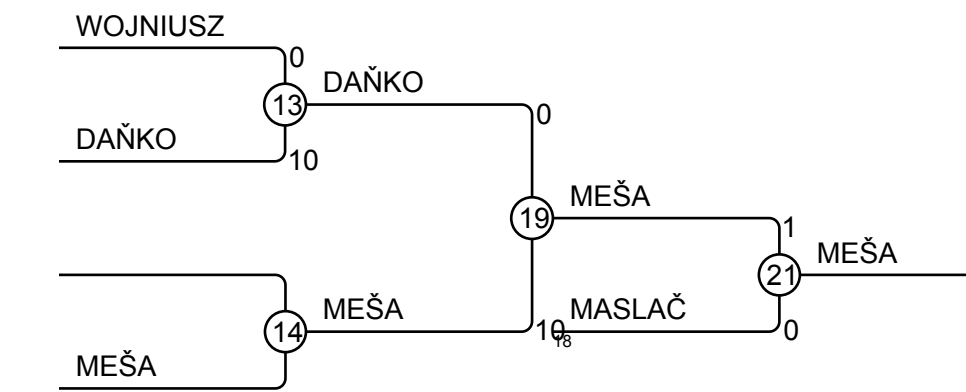
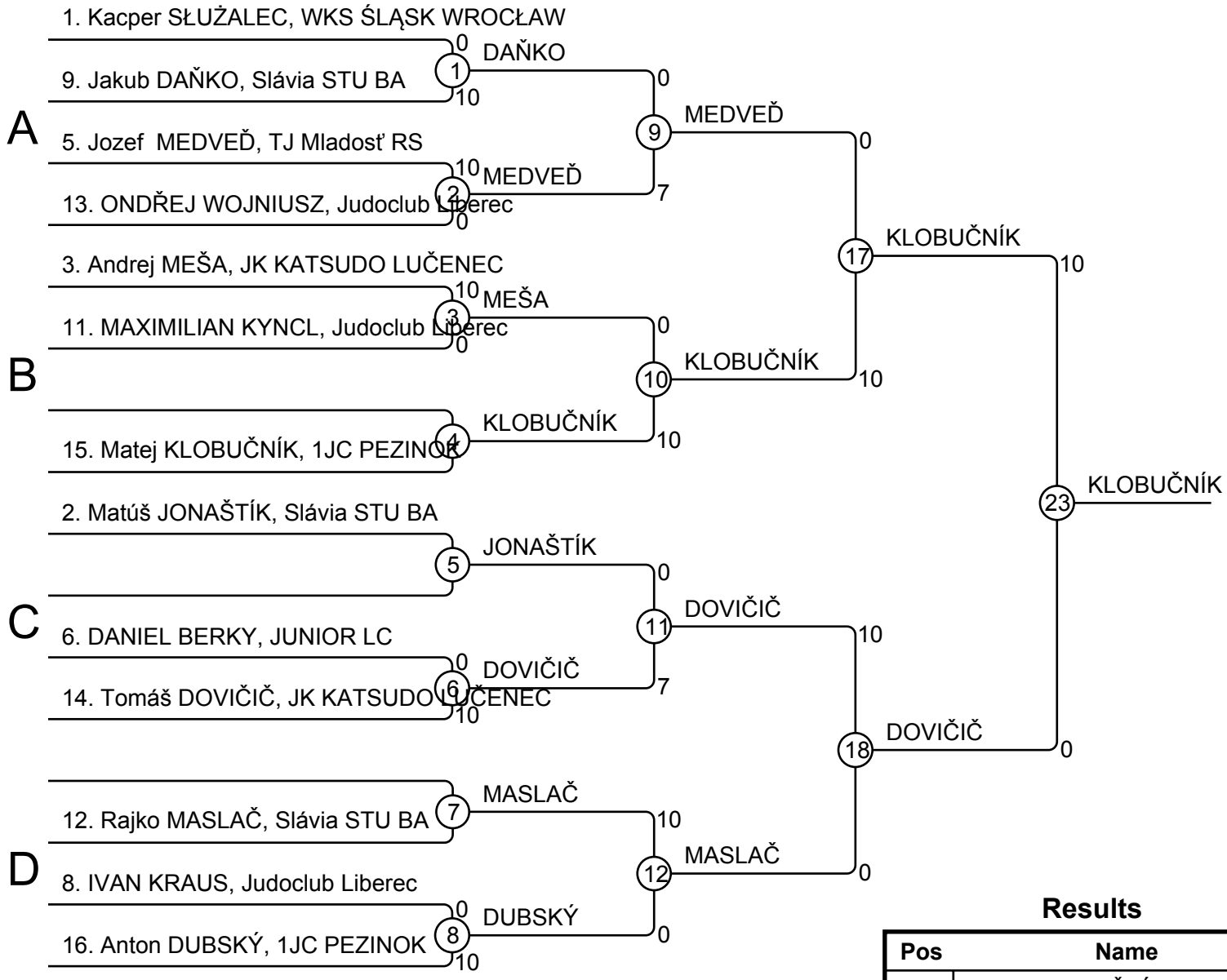
Results

Pos	Name
1	ANDRIY KAMINSKY, JC Uzhgorod
2	Valentin KRIUCHKOV, Debreceni Sportcentrum
3	Samuel DEME, JK KATSUDO LUČENEC
3	Attila MAGYAR, Debreceni Sportcentrum
5	Michal VARŠO, JK KATSUDO LUČENEC
5	Bendegúz SÜVEGES, Debreceni Sportcentrum
7	Vladimír ČALFA, MŠK Vranov n. T.
7	Kornel BODOR, TJ Mladost' RS



GRAND PRIX 28.02-01.03.2015 BANSKA BYSTRICA MU11-3

Competitors: 13

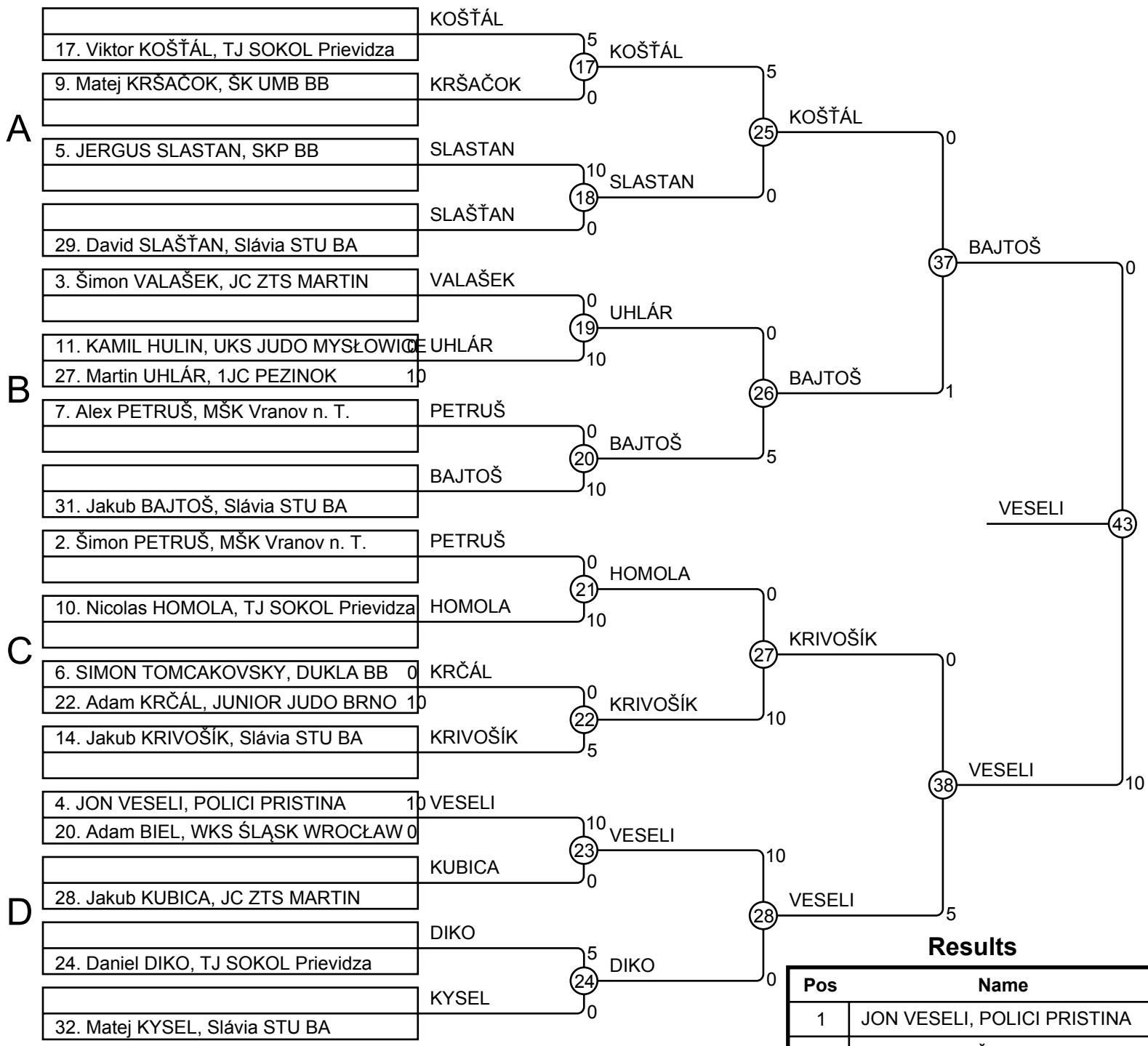


Results

Pos	Name
1	Matej KLOBUČNÍK, 1JC PEZINOK
2	Tomáš DOVIČIČ, JK KATSUDO LUČENEC
3	Andrej MEŠA, JK KATSUDO LUČENEC
3	Anton DUBSKÝ, 1JC PEZINOK
5	Rajko MASLAČ, Slávia STU BA
5	Jozef MEDVEĎ, TJ Mladost' RS
7	Jakub DAŃKO, Slávia STU BA
7	Matúš JONAŠTÍK, Slávia STU BA

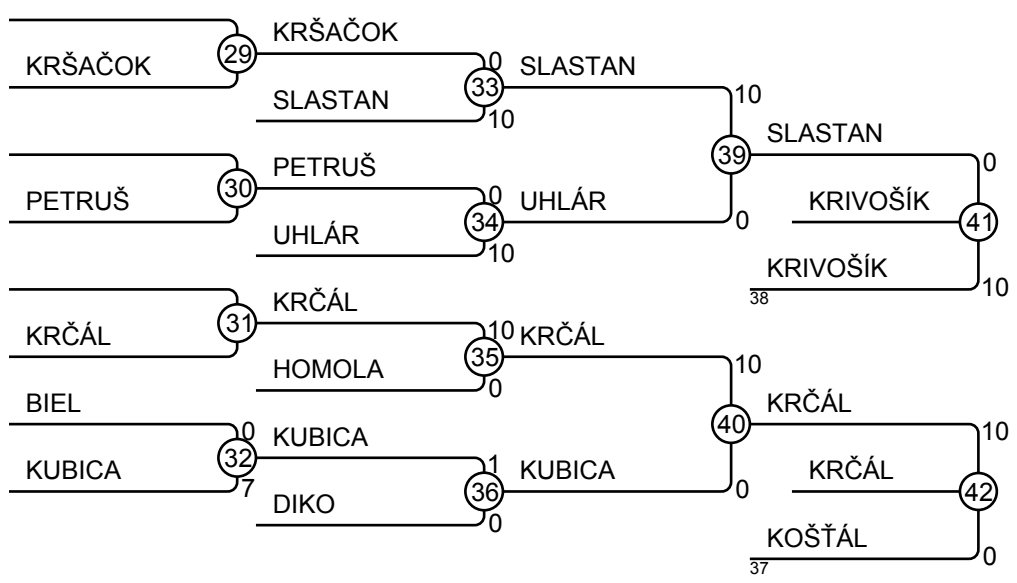
GRAND PRIX 28.02-01.03.2015 BANSKA BYSTRICA MU11-3

Competitors: 19



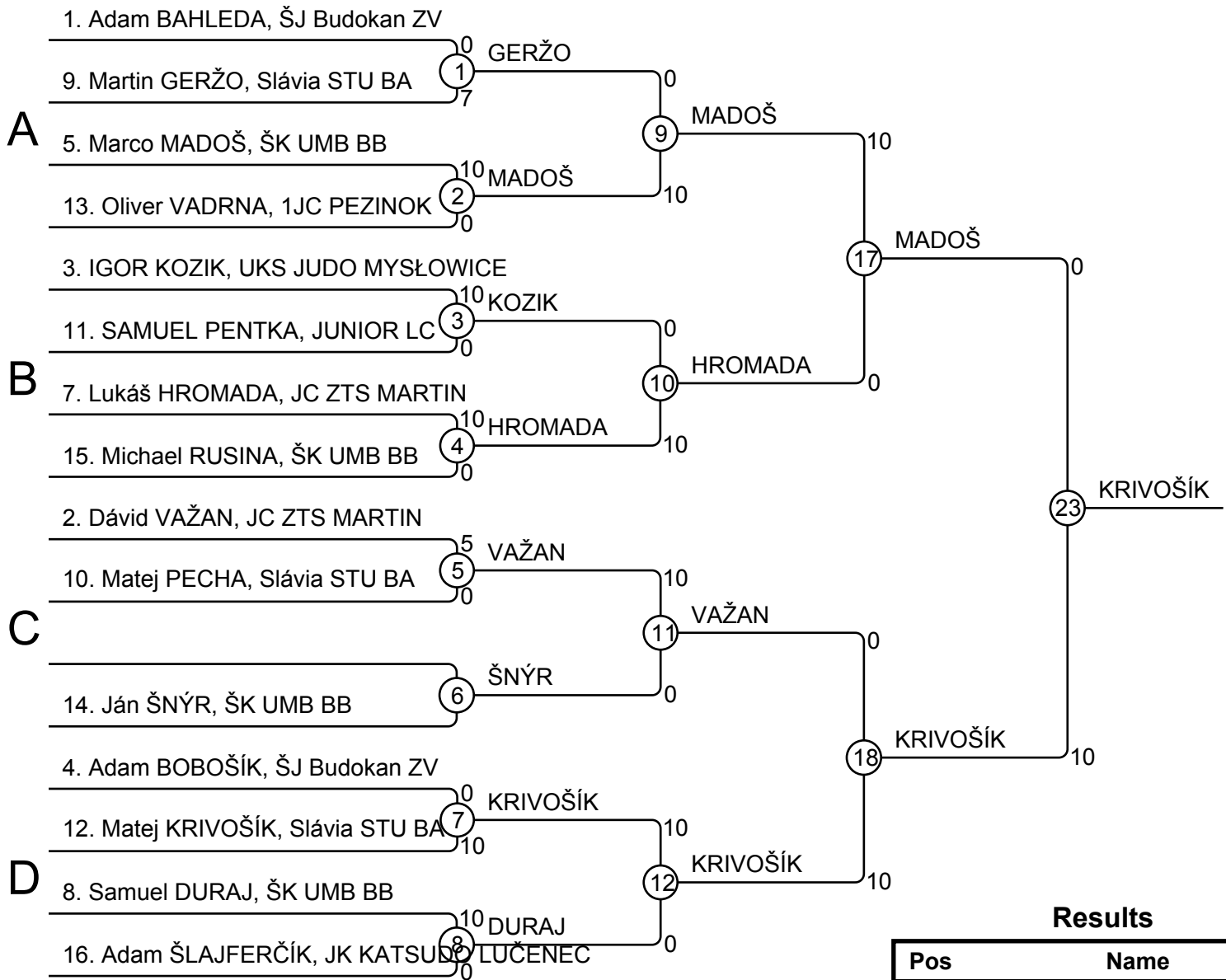
Results

Pos	Name
1	JON VESELI, POLICI PRISTINA
2	Jakub BAJTOŠ, Slávia STU BA
3	Jakub KRIVOŠÍK, Slávia STU BA
3	Adam KRČÁL, JUNIOR JUDO BRNO
5	JERGUS SLASTAN, SKP BB
5	Viktor KOŠTÁL, TJ SOKOL Prievidza
7	Martin UHLÁR, 1JC PEZINOK
7	Jakub KUBICA, JC ZTS MARTIN



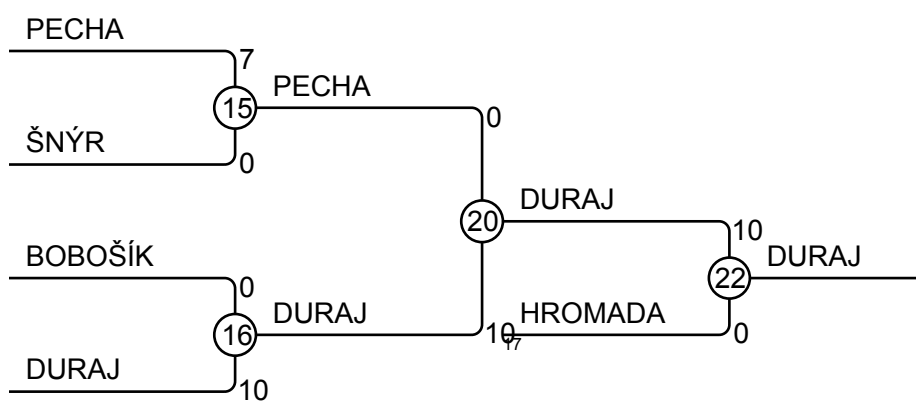
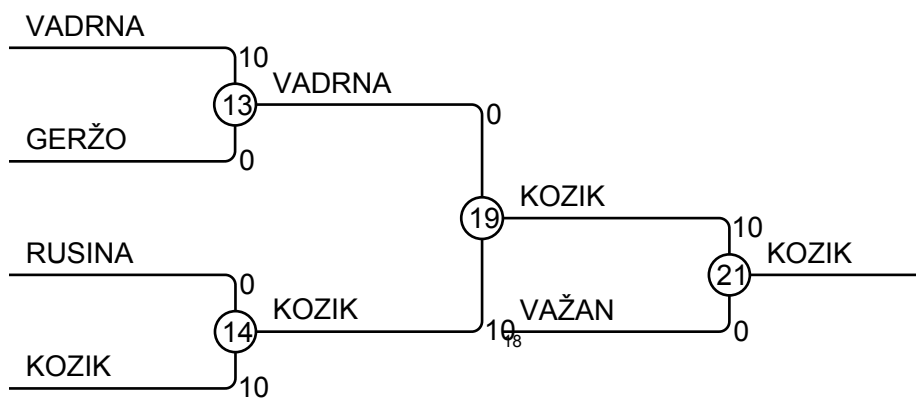
GRAND PRIX 28.02-01.03.2015 BANSKA BYSTRICA MU11-3

Competitors: 15



Results

Pos	Name
1	Matej KRIVOŠÍK, Slávia STU BA
2	Marco MADOŠ, ŠK UMB BB
3	IGOR KOZIK, UKS JUDO MYSŁOWICE
3	Samuel DURAJ, ŠK UMB BB
5	Dávid VAŽAN, JC ZTS MARTIN
5	Lukáš HROMADA, JC ZTS MARTIN
7	Oliver VADRNA, 1JC PEZINOK
7	Matej PECHA, Slávia STU BA



GRAND PRIX 28.02-01.03.2015 BANSKA BYSTRICA MU11-4

Competitors: 7

Competitors A

#	Name	Grade	Club	1	2	3	4	Wins	Pts	Pos
1	Adam SADLOŇ (41,86)	?	TJ SOKOL Prievidza		10	5	10	3	25	1
2	Gabriel FÁBRY (39,66)	?	1JC PEZINOK			1	7	2	8	2
3	Maciej TURCZEYK (39,52)	?	WKS ŚLĄSK WROCŁAW					0	0	4
4	Lucas BERNATH (38,90)	?	TJ Mladost' RS			10		1	10	3

Matches A

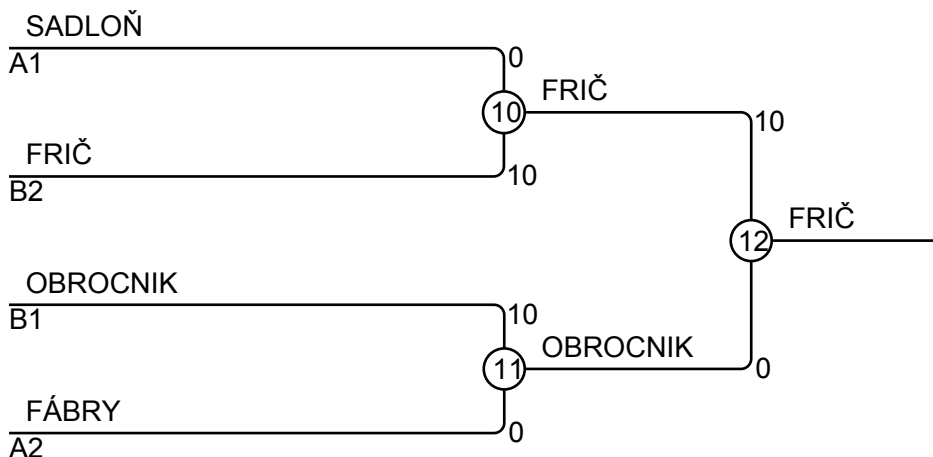
Match	White	Blue	Result	Time
1	Adam SADLOŇ (1)	Gabriel FÁBRY (2)	10 - 0	1:31
2	Maciej TURCZEYK (3)	Lucas BERNATH (4)	0 - 10	0:47
4	Adam SADLOŇ (1)	Maciej TURCZEYK (3)	5 - 0	2:00
5	Gabriel FÁBRY (2)	Lucas BERNATH (4)	7 - 0	2:00
7	Adam SADLOŇ (1)	Lucas BERNATH (4)	10 - 0	0:27
8	Gabriel FÁBRY (2)	Maciej TURCZEYK (3)	1 - 0	2:55

Competitors B

#	Name	Grade	Club	5	6	7	Wins	Pts	Pos
5	Dávid FRIČ (39,30)	?	TJ Mladost' Žilina		10		1	10	2
6	Lukáš ZVARA (38,26)	?	TJ Mladost' RS				0	0	3
7	MARTIN OBROCNÍK (39,82)	?	JUNIOR LC	10	10		2	20	1

Matches B

Match	White	Blue	Result	Time
3	Dávid FRIČ (5)	Lukáš ZVARA (6)	10 - 0	0:27
6	Dávid FRIČ (5)	MARTIN OBROCNÍK (7)	0 - 10	0:21
9	Lukáš ZVARA (6)	MARTIN OBROCNÍK (7)	0 - 10	0:31



Results

Pos	Name
1	Dávid FRIČ, TJ Mladost' Žilina
2	MARTIN OBROCNÍK, JUNIOR LC
3	Adam SADLOŇ, TJ SOKOL Prievidza
3	Gabriel FÁBRY, 1JC PEZINOK

GRAND PRIX 28.02-01.03.2015 BANSKA BYSTRICA MU11-4

Competitors: 6

Competitors A

#	Name	Grade	Club	1	2	3	Wins	Pts	Pos
1	Miroslav PETROVSKÝ (44,84)	?	Lokomotiva RS		7	10	2	17	1
2	Filip MRENA (44,98)	?	TJ SOKOL Prievidza				0	0	3
3	ONDREJ BARTO (45,58)	?	SKP BB		10		1	10	2

Matches A

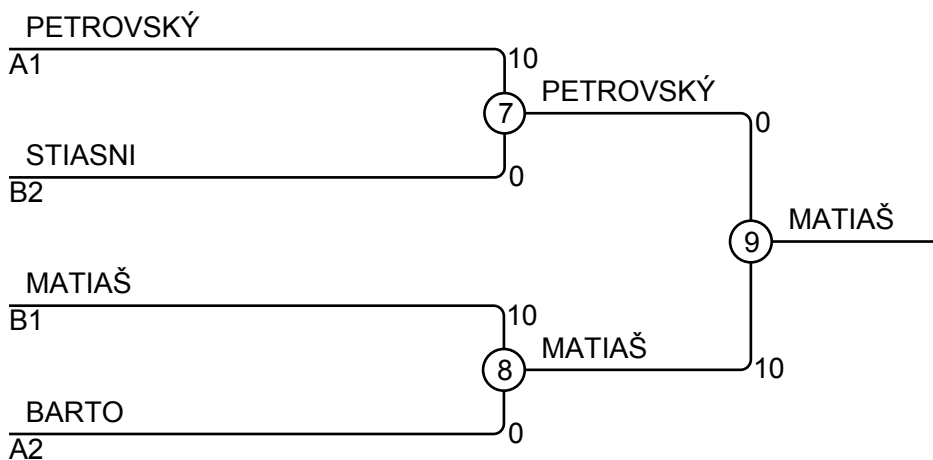
Match	White	Blue	Result	Time
1	Miroslav PETROVSKÝ	1 2 Filip MRENA	7 - 0	2:00
3	Miroslav PETROVSKÝ	1 3 ONDREJ BARTO	10 - 0	0:34
5	Filip MRENA	2 3 ONDREJ BARTO	0 - 10	1:36

Competitors B

#	Name	Grade	Club	4	5	6	Wins	Pts	Pos
4	Matúš MATIAŠ (44,56)	?	TJ SOKOL Prievidza		10	10	2	20	1
5	JAKUB STIASNI (43,16)	?	DK SNV			10	1	10	2
6	Michal MIKULÁŠ (44,10)	?	ŠK UMB BB				0	0	3

Matches B

Match	White	Blue	Result	Time
2	Matúš MATIAŠ	4 5 JAKUB STIASNI	10 - 0	0:33
4	Matúš MATIAŠ	4 6 Michal MIKULÁŠ	10 - 0	0:20
6	JAKUB STIASNI	5 6 Michal MIKULÁŠ	10 - 0	1:19



Results

Pos	Name
1	Matúš MATIAŠ, TJ SOKOL Prievidza
2	Miroslav PETROVSKÝ, Lokomotiva RS
3	JAKUB STIASNI, DK SNV
3	ONDREJ BARTO, SKP BB

GRAND PRIX 28.02-01.03.2015 BANSKA BYSTRICA MU11+4

Competitors: 5

Competitors

#	Name	Grade	Club	1	2	3	4	5	Wins	Pts	Pos
1	Ondrej IHNÁT (49,60)	?	MŠK Vranov n. T.			10			1	10	4
2	Alexej KANAS (52,94)	?	JC ZTS MARTIN	10		10	10	10	4	40	1
3	JAKUB TOMÁNEK (48,00)	?	Judoclub Liberec						0	0	5
4	VINCENT RINAK (49,94)	?	DUKLA BB	5		10			2	15	3
5	Richard FILČÍK (52,48)	?	JK KATSUDO LUČENEC	10		10	10		3	30	2

Matches

Match	White			Blue	Result	Time
1	VINCENT RINAK	4	5	Richard FILČÍK	0 - 10	0:52
2	Ondrej IHNÁT	1	2	Alexej KANAS	0 - 10	0:05
3	JAKUB TOMÁNEK	3	4	VINCENT RINAK	0 - 10	0:18
4	Ondrej IHNÁT	1	5	Richard FILČÍK	0 - 10	0:46
5	Alexej KANAS	2	3	JAKUB TOMÁNEK	10 - 0	0:38
6	Ondrej IHNÁT	1	4	VINCENT RINAK	0 - 5	2:00
7	JAKUB TOMÁNEK	3	5	Richard FILČÍK	0 - 10	1:19
8	Alexej KANAS	2	4	VINCENT RINAK	10 - 0	0:59
9	Ondrej IHNÁT	1	3	JAKUB TOMÁNEK	10 - 0	0:26
10	Alexej KANAS	2	5	Richard FILČÍK	10 - 0	0:59

Results

Pos	Name
1	Alexej KANAS, JC ZTS MARTIN
2	Richard FILČÍK, JK KATSUDO LUČENEC
3	VINCENT RINAK, DUKLA BB
4	Ondrej IHNÁT, MŠK Vranov n. T.
5	JAKUB TOMÁNEK, Judoclub Liberec

GRAND PRIX 28.02-01.03.2015 BANSKA BYSTRICA FU13-3

Competitors: 2

Competitors

#	Name	Grade	Club	1	2	1	2	1	2	Wins	Pts	Pos
1	Bronislava ŠKORŇOVÁ (30,96)	?	TJ Mladost' RS		10		10			2	20	1
2	Simona HORVÁTHOVÁ (31,94)	?	DK SNV							0	0	2

Matches

Match	White			Blue	Result	Time
1	Bronislava ŠKORŇOVÁ	1	2	Simona HORVÁTHOVÁ	10 - 0	0:58
2	Bronislava ŠKORŇOVÁ	1	2	Simona HORVÁTHOVÁ	10 - 0	0:52
3	Bronislava ŠKORŇOVÁ	1	2	Simona HORVÁTHOVÁ		

Results

Pos	Name
1	Bronislava ŠKORŇOVÁ, TJ Mladost' RS
2	Simona HORVÁTHOVÁ, DK SNV

GRAND PRIX 28.02-01.03.2015 BANSKA BYSTRICA FU13-3

Competitors: 5

Competitors

#	Name	Grade	Club	1	2	3	4	5	Wins	Pts	Pos
1	Veronika VASILOVÁ (34,92)	?	MŠK Vranov n. T.			1	10		2	11	3
2	KRISTINA PAPAIOVA (32,70)	?	JUNIOR LC	10		10	10	10	4	40	1
3	Aniela WALCZAK (34,24)	?	WKS ŚLĄSK WROCŁAW				10		1	10	4
4	Sarah BUKOVČANOVÁ (35,80)	?	ŠK UMB BB						0	0	5
5	Daniela MELICHERČÍKOVÁ (33,16)		ŠK UMB BB	10		10	10		3	30	2

Matches

Match	White			Blue	Result	Time
1	Sarah BUKOVČANOVÁ	4	5	Daniela MELICHERČÍKOVÁ	0 - 10	0:24
2	Veronika VASILOVÁ	1	2	KRISTINA PAPAIOVA	0 - 10	0:40
3	Aniela WALCZAK	3	4	Sarah BUKOVČANOVÁ	10 - 0	1:11
4	Veronika VASILOVÁ	1	5	Daniela MELICHERČÍKOVÁ	0 - 10	0:39
5	KRISTINA PAPAIOVA	2	3	Aniela WALCZAK	10 - 0	1:23
6	Veronika VASILOVÁ	1	4	Sarah BUKOVČANOVÁ	10 - 0	1:51
7	Aniela WALCZAK	3	5	Daniela MELICHERČÍKOVÁ	0 - 10	0:17
8	KRISTINA PAPAIOVA	2	4	Sarah BUKOVČANOVÁ	10 - 0	0:43
9	Veronika VASILOVÁ	1	3	Aniela WALCZAK	1 - 0	2:00
10	KRISTINA PAPAIOVA	2	5	Daniela MELICHERČÍKOVÁ	10 - 0	1:29

Results

Pos	Name
1	KRISTINA PAPAIOVA, JUNIOR LC
2	Daniela MELICHERČÍKOVÁ, ŠK UMB BB
3	Veronika VASILOVÁ, MŠK Vranov n. T.
4	Aniela WALCZAK, WKS ŚLĄSK WROCŁAW
5	Sarah BUKOVČANOVÁ, ŠK UMB BB

GRAND PRIX 28.02-01.03.2015 BANSKA BYSTRICA FU13-4

Competitors: 4

Competitors

#	Name	Grade	Club	1	2	3	4	Wins	Pts	Pos
1	Bolda-Zonga SZTANKOVICS (40,10)	40,10	TJ Mladost' RS		10	10	10	3	30	1
2	Sára ŠPINEROVÁ (38,96)	?	DK SNV				10	1	10	3
3	MARIE LAŠČÁKOVÁ (39,70)	?	Judoclub Liberec		10		10	2	20	2
4	Sofia POPOVIČOVÁ (37,30)	?	ŠK Zemplín MI					0	0	4

Matches

Match	White			Blue	Result	Time
1	Bolda-Zonga SZTANKOVICS	1	2	Sára ŠPINEROVÁ	10 - 0	0:17
2	MARIE LAŠČÁKOVÁ	3	4	Sofia POPOVIČOVÁ	10 - 0	2:00
3	Bolda-Zonga SZTANKOVICS	1	3	MARIE LAŠČÁKOVÁ	10 - 0	0:46
4	Sára ŠPINEROVÁ	2	4	Sofia POPOVIČOVÁ	10 - 0	0:34
5	Bolda-Zonga SZTANKOVICS	1	4	Sofia POPOVIČOVÁ	10 - 0	0:34
6	Sára ŠPINEROVÁ	2	3	MARIE LAŠČÁKOVÁ	0 - 10	2:00

Results

Pos	Name
1	Bolda-Zonga SZTANKOVICS, TJ Mladost' RS
2	MARIE LAŠČÁKOVÁ, Judoclub Liberec
3	Sára ŠPINEROVÁ, DK SNV
4	Sofia POPOVIČOVÁ, ŠK Zemplín MI

GRAND PRIX 28.02-01.03.2015 BANSKA BYSTRICA FU13-4

Competitors: 3

Competitors

#	Name	Grade	Club	1	2	3	Wins	Pts	Pos
1	Alexandra ČIŽMÁROVÁ (42,32) ?		ŠK Zemplín MI		10		1	10	2
2	KATEŘINA HALMICOVÁ (43,30)		Judoclub Liberec				0	0	3
3	Weronika DUTKIEWICZE (44,16)		WKS ŚLĄSK WROCŁAW	10	10		2	20	1

Matches

Match	White		Blue	Result	Time
1	Alexandra ČIŽMÁROVÁ	1 2	KATEŘINA HALMICOVÁ	10 - 0	0:26
2	Alexandra ČIŽMÁROVÁ	1 3	Weronika DUTKIEWICZE	0 - 10	1:35
3	KATEŘINA HALMICOVÁ	2 3	Weronika DUTKIEWICZE	0 - 10	0:26

Results

Pos	Name
1	Weronika DUTKIEWICZE, WKS ŚLĄSK WROCŁAW
2	Alexandra ČIŽMÁROVÁ, ŠK Zemplín MI
3	KATEŘINA HALMICOVÁ, Judoclub Liberec

GRAND PRIX 28.02-01.03.2015 BANSKA BYSTRICA FU13-4

Competitors: 2

Competitors

#	Name	Grade	Club	1	2	1	2	1	2	Wins	Pts	Pos
1	Júlia REMENÁROVÁ (45,04)	?	1JC PEZINOK							0	0	2
2	EMA FIZELOVA (47,92)	?	DUKLA BB	10		7				2	17	1

Matches

Match	White			Blue	Result	Time
1	Júlia REMENÁROVÁ	1	2	EMA FIZELOVA	0 - 10	0:43
2	Júlia REMENÁROVÁ	1	2	EMA FIZELOVA	0 - 7	2:00
3	Júlia REMENÁROVÁ	1	2	EMA FIZELOVA		

Results

Pos	Name
1	EMA FIZELOVA, DUKLA BB
2	Júlia REMENÁROVÁ, 1JC PEZINOK

GRAND PRIX 28.02-01.03.2015 BANSKA BYSTRICA FU13+5

Competitors: 4

Competitors

#	Name	Grade	Club	1	2	3	4	Wins	Pts	Pos
1	VIKTORIA DIRBAKOVA (57,00)	?	JUNIOR LC		10	10	10	3	30	1
2	BRONA TAKACSOVA (52,08)	?	BUSHI NZ				10	1	10	3
3	Gréta VÖLGYI (52,00)	?	Debreceni Sportcentrum		10		10	2	20	2
4	Sandra FUGIEL (56,36)	?	WKS ŚLĄSK WROCŁAW					0	0	4

Matches

Match	White			Blue	Result	Time
1	VIKTORIA DIRBAKOVA	1	2	BRONA TAKACSOVA	10 - 0	1:21
2	Gréta VÖLGYI	3	4	Sandra FUGIEL	10 - 0	0:32
3	VIKTORIA DIRBAKOVA	1	3	Gréta VÖLGYI	10 - 0	1:47
4	BRONA TAKACSOVA	2	4	Sandra FUGIEL	10 - 0	1:27
5	VIKTORIA DIRBAKOVA	1	4	Sandra FUGIEL	10 - 0	0:23
6	BRONA TAKACSOVA	2	3	Gréta VÖLGYI	0 - 10	0:54

Results

Pos	Name
1	VIKTORIA DIRBAKOVA, JUNIOR LC
2	Gréta VÖLGYI, Debreceni Sportcentrum
3	BRONA TAKACSOVA, BUSHI NZ
4	Sandra FUGIEL, WKS ŚLĄSK WROCŁAW

GRAND PRIX 28.02-01.03.2015 BANSKA BYSTRICA MU13-2

Competitors: 4

Competitors

#	Name	Grade	Club	1	2	3	4	Wins	Pts	Pos
1	PATRIK GIBALA (26,92)	?	JUNIOR LC					0	0	4
2	Andrej JEKIMOV (26,52)	?	TJ Mladost' RS	5				1	5	3
3	ANTON SEMAK (25,46)	?	JC Uzhgorod	10	5		10	3	25	1
4	ALAN FABIK (27,00)	?	Judoclub Liberec	10	10			2	20	2

Matches

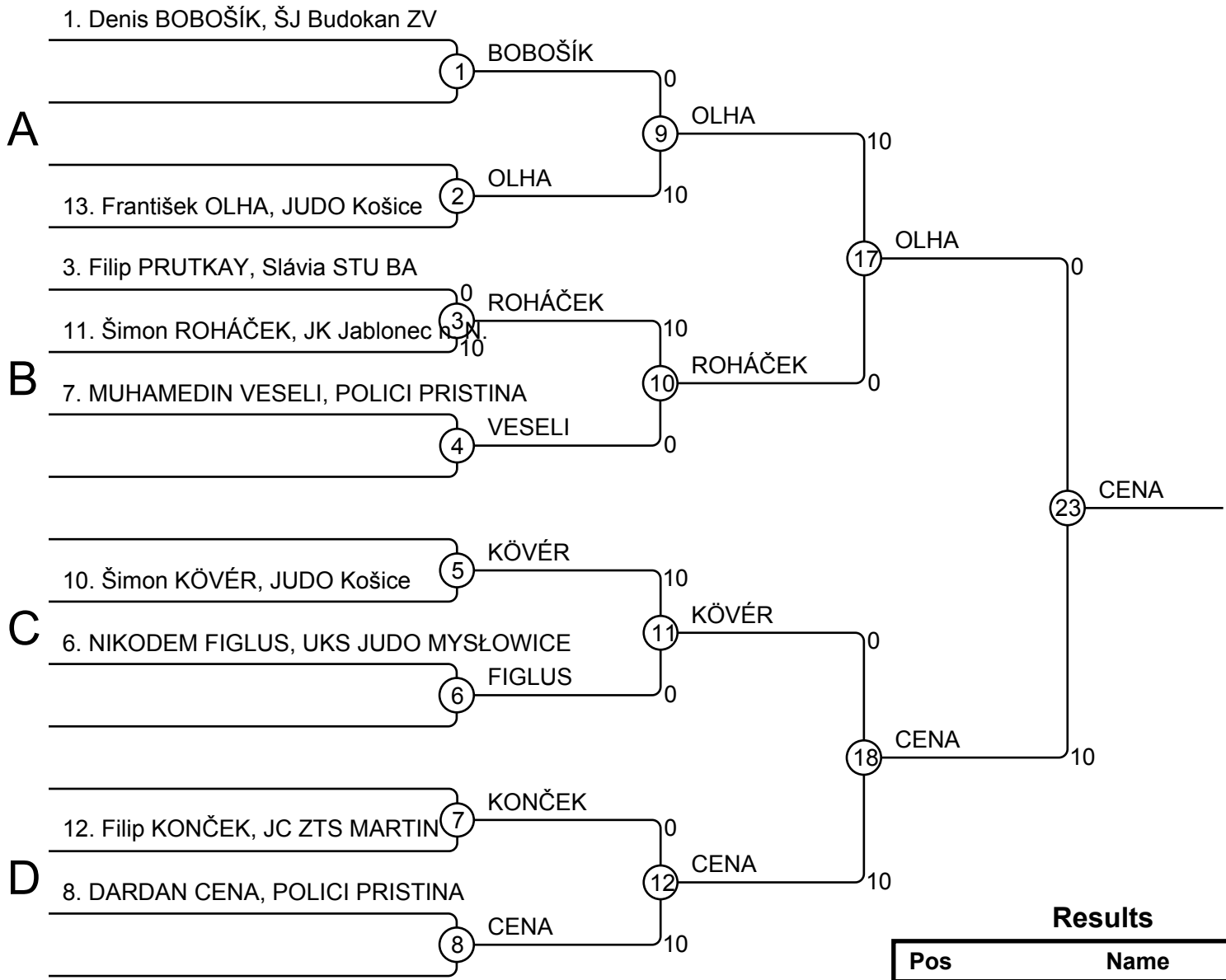
Match	White			Blue	Result	Time
1	PATRIK GIBALA	1	2	Andrej JEKIMOV	0 - 5	2:00
2	ANTON SEMAK	3	4	ALAN FABIK	10 - 0	1:39
3	PATRIK GIBALA	1	3	ANTON SEMAK	0 - 10	0:38
4	Andrej JEKIMOV	2	4	ALAN FABIK	0 - 10	0:55
5	PATRIK GIBALA	1	4	ALAN FABIK	0 - 10	0:23
6	Andrej JEKIMOV	2	3	ANTON SEMAK	0 - 5	2:00

Results

Pos	Name
1	ANTON SEMAK, JC Uzhgorod
2	ALAN FABIK, Judoclub Liberec
3	Andrej JEKIMOV, TJ Mladost' RS
4	PATRIK GIBALA, JUNIOR LC

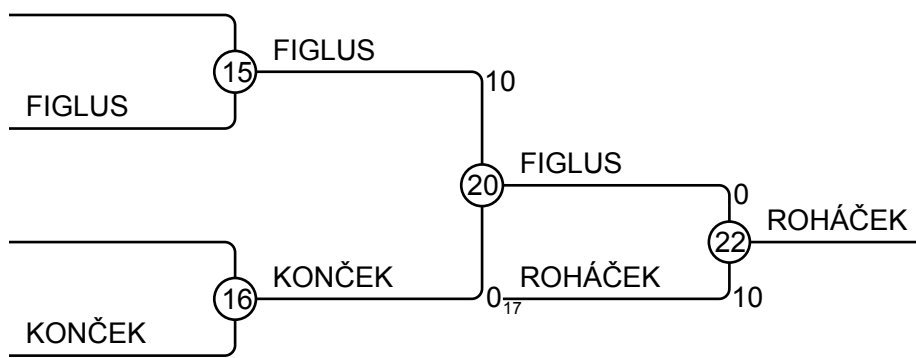
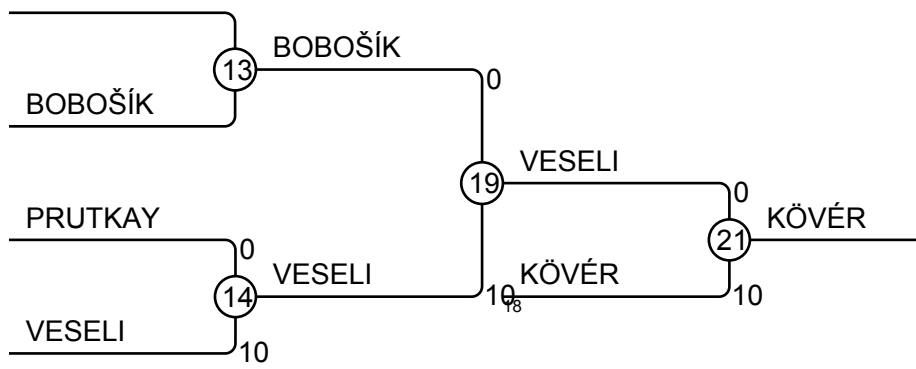
GRAND PRIX 28.02-01.03.2015 BANSKA BYSTRICA MU13-3

Competitors: 9



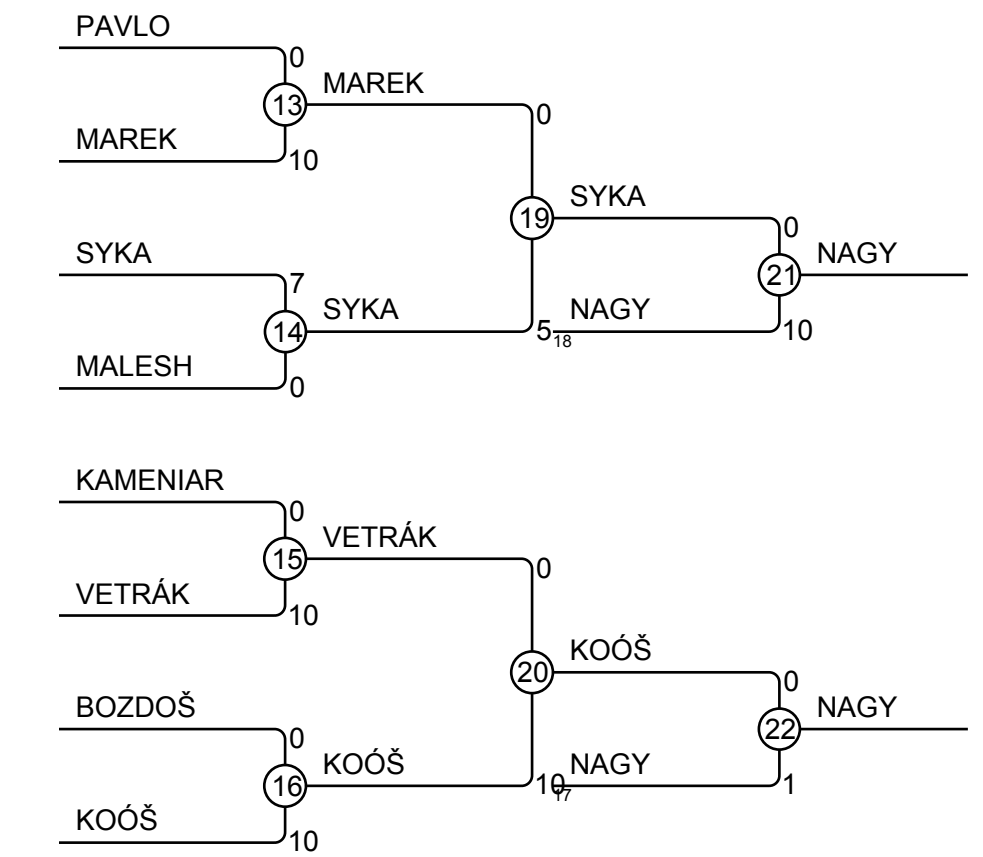
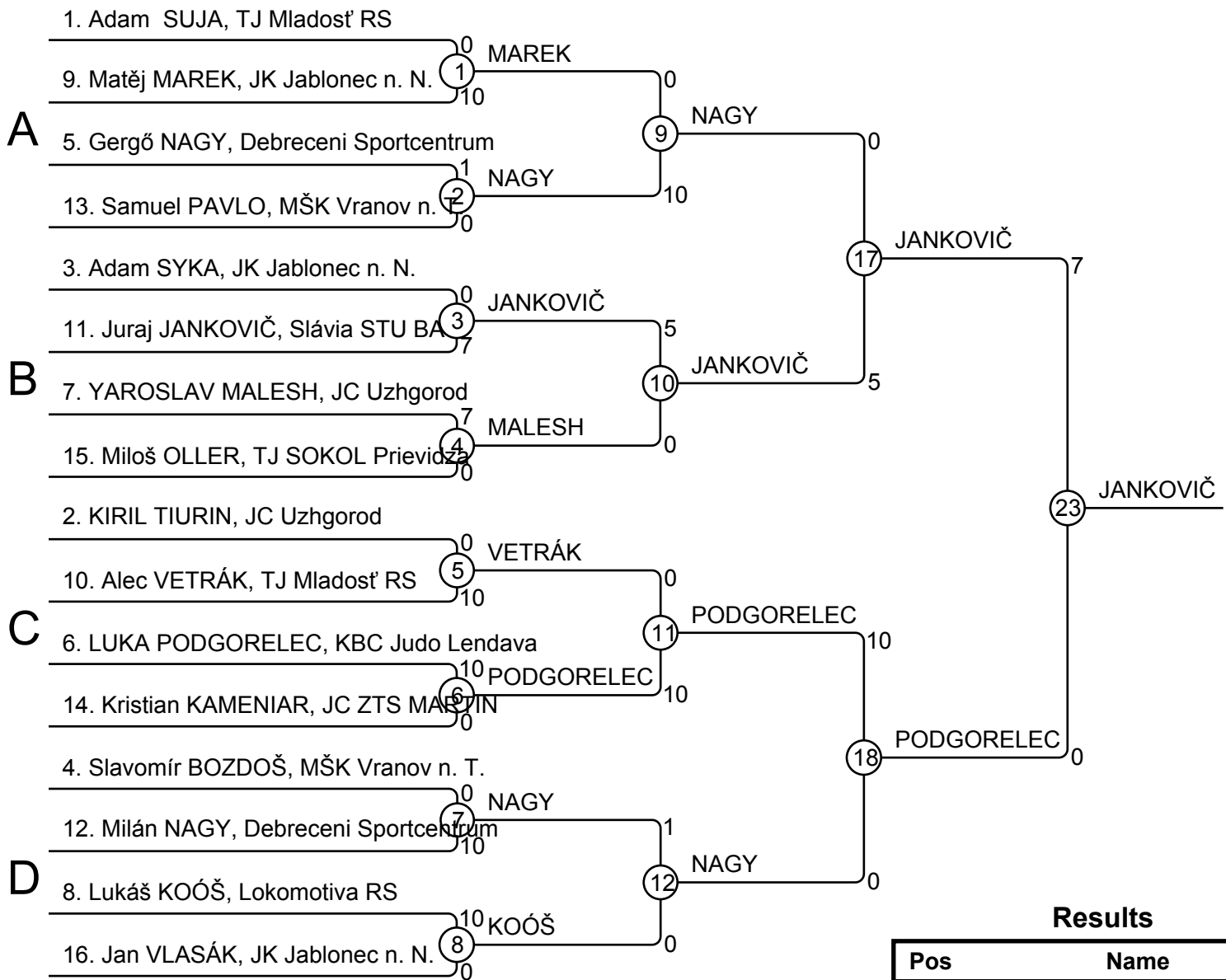
Results

Pos	Name
1	DARDAN CENA, POLICI PRISTINA
2	František OLHA, JUDO Košice
3	Šimon KÖVÉR, JUDO Košice
3	Šimon ROHÁČEK, JK Jablonec n. N.
5	MUHAMEDIN VESELI, POLICI PRISTINA
5	NIKODEM FIGLUS, UKS JUDO MYSŁOWICE
7	Denis BOBOŠÍK, ŠJ Budokan ZV
7	Filip KONČEK, JC ZTS MARTIN



GRAND PRIX 28.02-01.03.2015 BANSKA BYSTRICA MU13-3

Competitors: 16

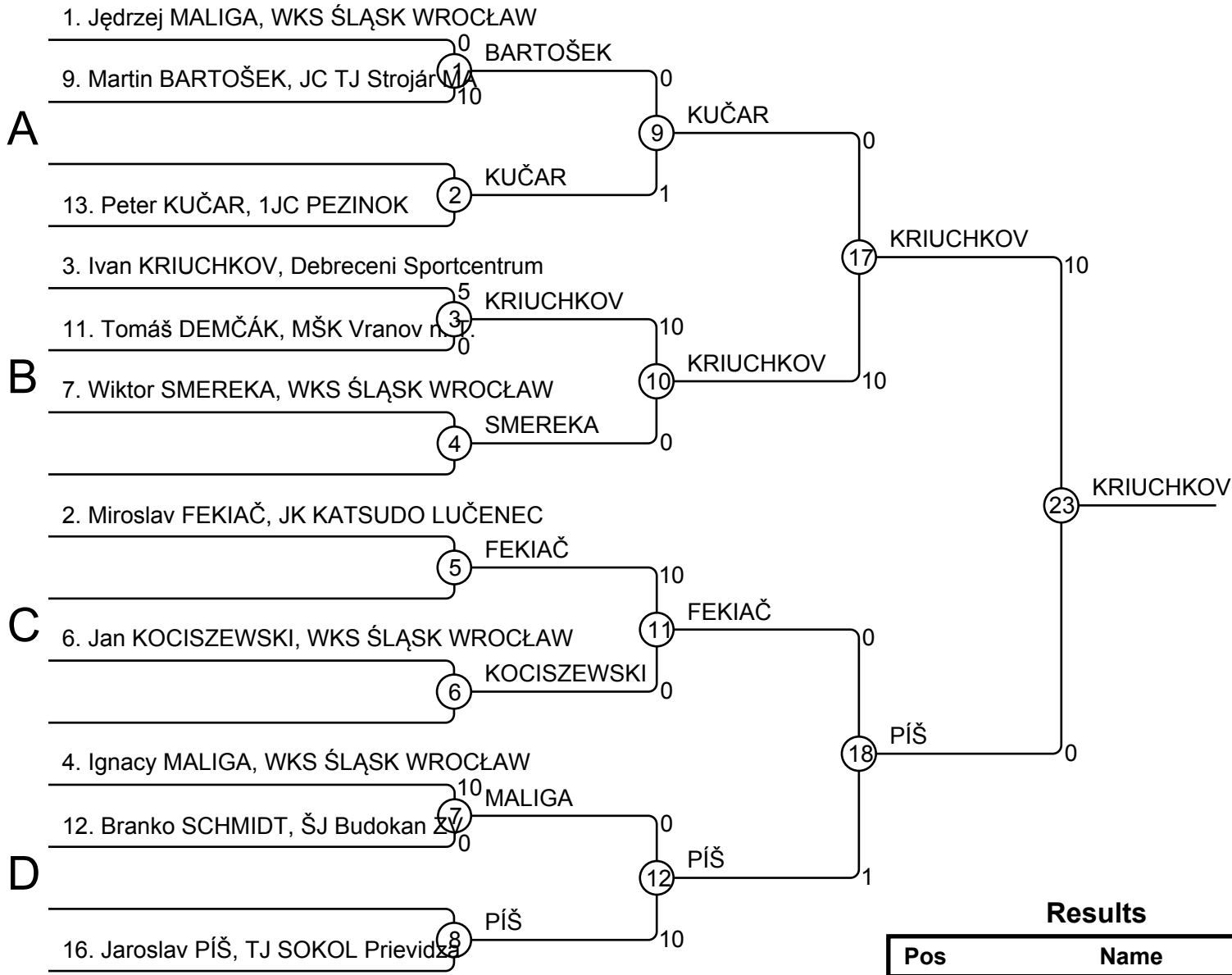


Results

Pos	Name
1	Juraj JANKOVIČ, Slávia STU BA
2	LUKA PODGORELEC, KBC Judo Lendava
3	Milán NAGY, Debreceni Sportcentrum
3	Gergő NAGY, Debreceni Sportcentrum
5	Adam SYKA, JK Jablonec n. N.
5	Lukáš KOÓŠ, Lokomotiva RS
7	Matěj MAREK, JK Jablonec n. N.
7	Alec VETRÁK, TJ Mladost' RS

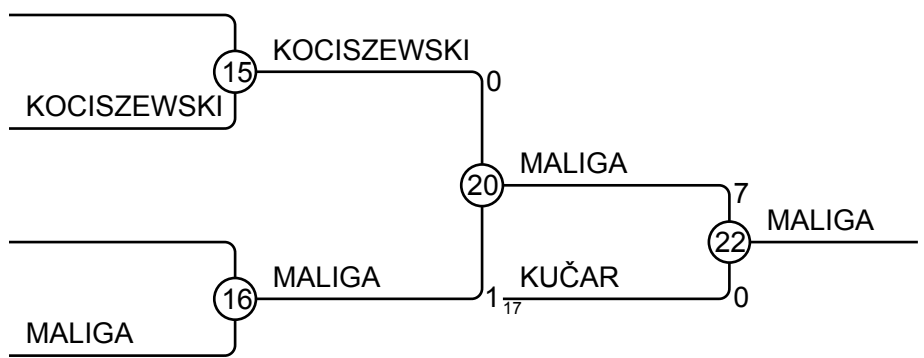
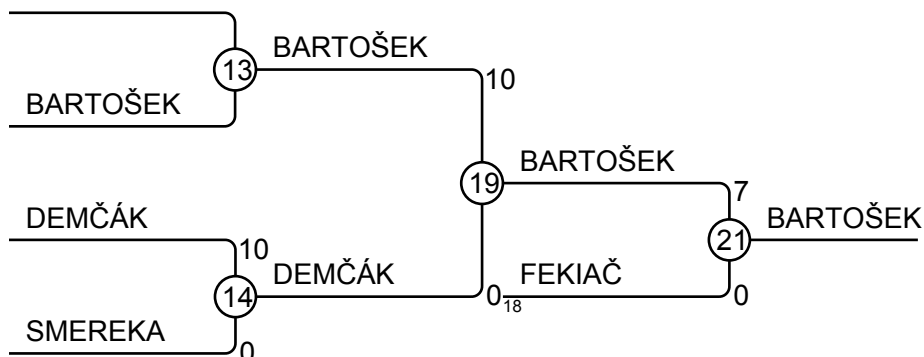
GRAND PRIX 28.02-01.03.2015 BANSKA BYSTRICA MU13-3

Competitors: 11



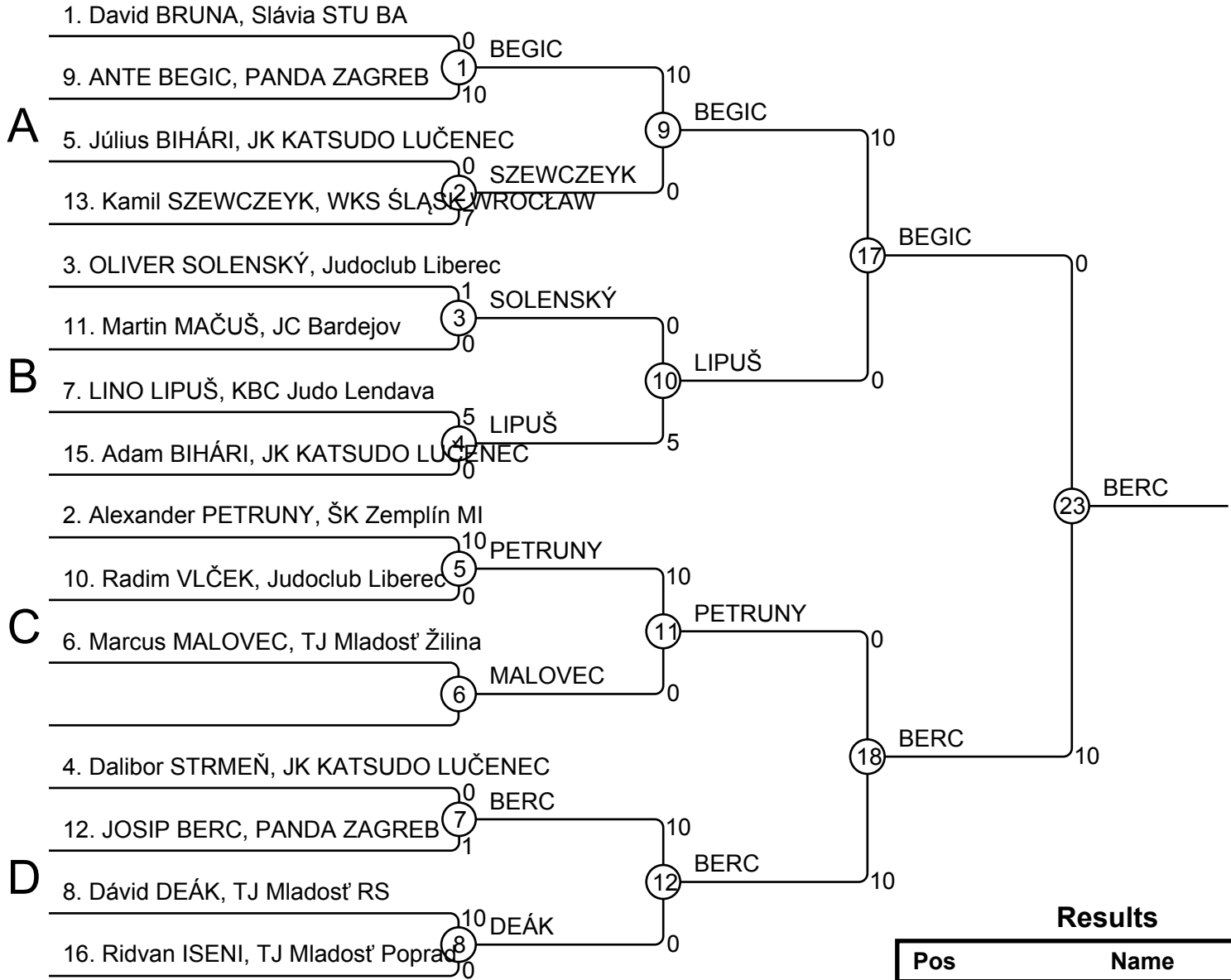
Results

Pos	Name
1	Ivan KRIUCHKOV, Debreceni Sportc
2	Jaroslav PÍŠ, TJ SOKOL Prievidza
3	Martin BARTOŠEK, JC TJ Strojár MA
3	Ignacy MALIGA, WKS ŚLĄSK WROC
5	Miroslav FEKIAČ, JK KATSUDO LUČ
5	Peter KUČAR, 1JC PEZINOK
7	Tomáš DEMČÁK, MŠK Vranov n. T.
7	Jan KOCISZEWSKI, WKS ŚLĄSK WI



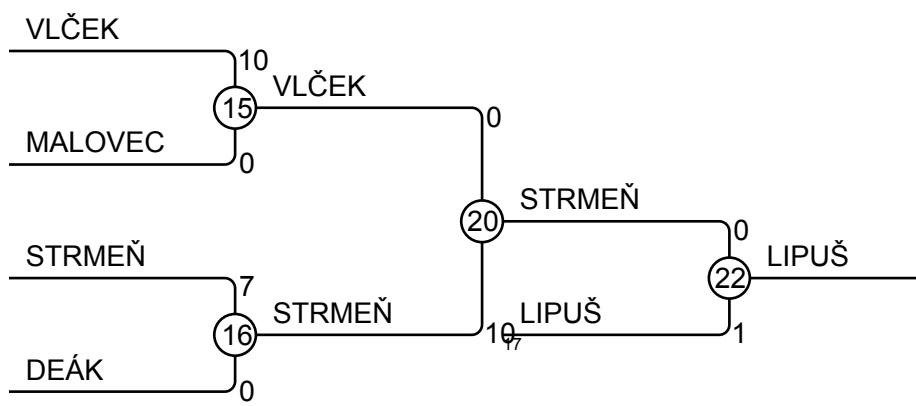
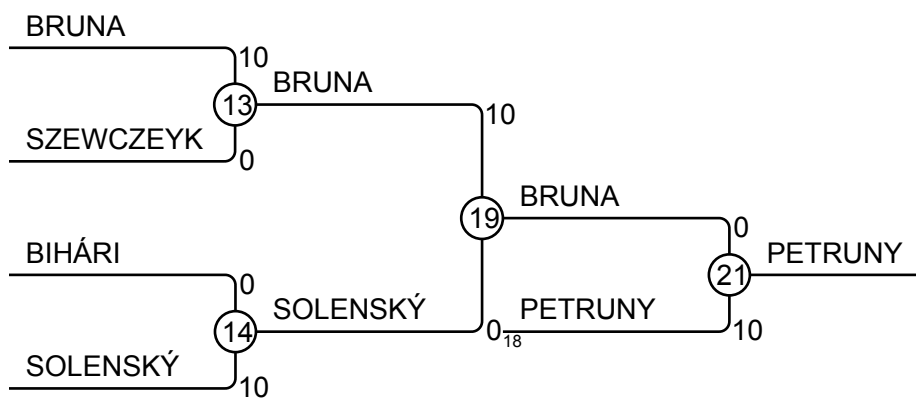
GRAND PRIX 28.02-01.03.2015 BANSKA BYSTRICA MU13-4

Competitors: 15



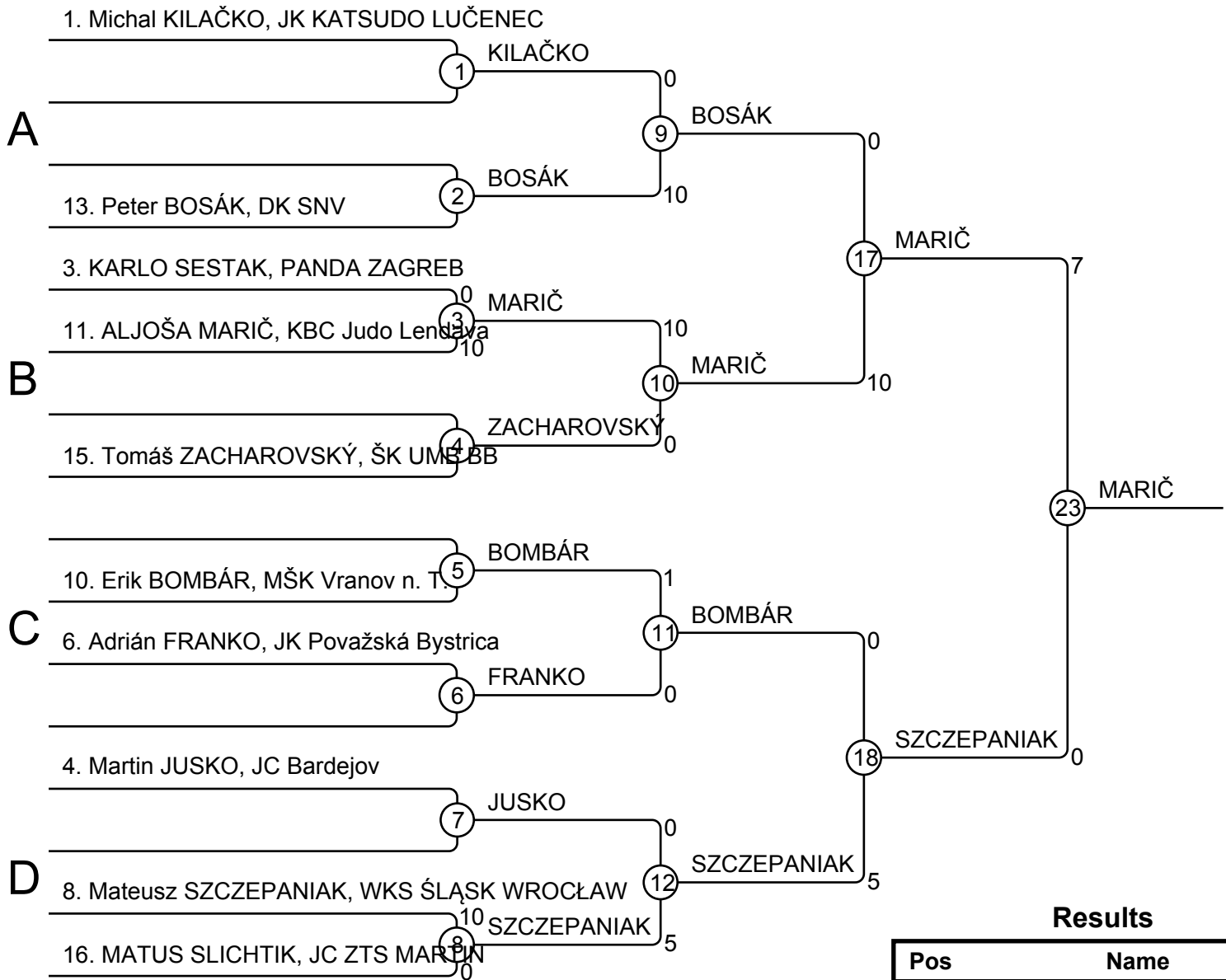
Results

Pos	Name
1	JOSIP BEREC, PANDA ZAGREB
2	ANTE BEGIC, PANDA ZAGREB
3	Alexander PETRUNY, ŠK Zemplín MI
3	LINO LIPUŠ, KBC Judo Lendava
5	David BRUNA, Slávia STU BA
5	Dalibor STRMEŇ, JK KATSUDO LUČENEC
7	OLIVER SOLENSKÝ, Judoclub Liberec
7	Radim VLČEK, Judoclub Liberec



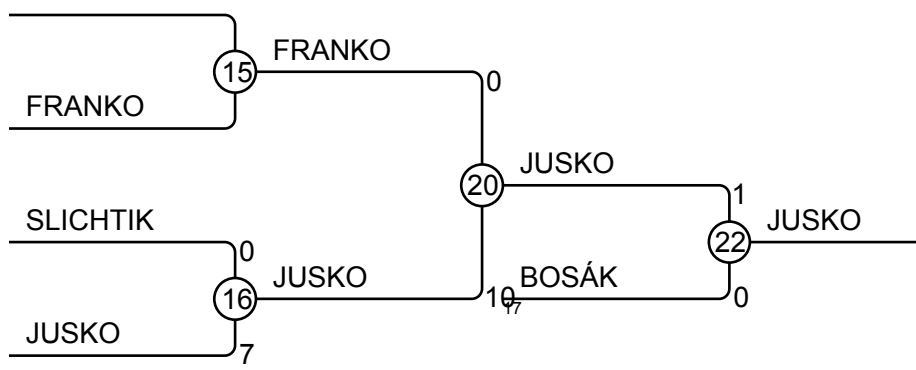
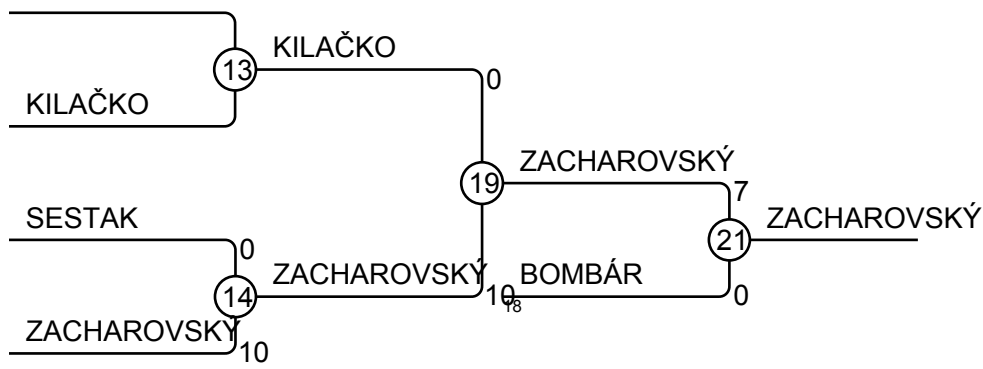
GRAND PRIX 28.02-01.03.2015 BANSKA BYSTRICA MU13-4

Competitors: 10



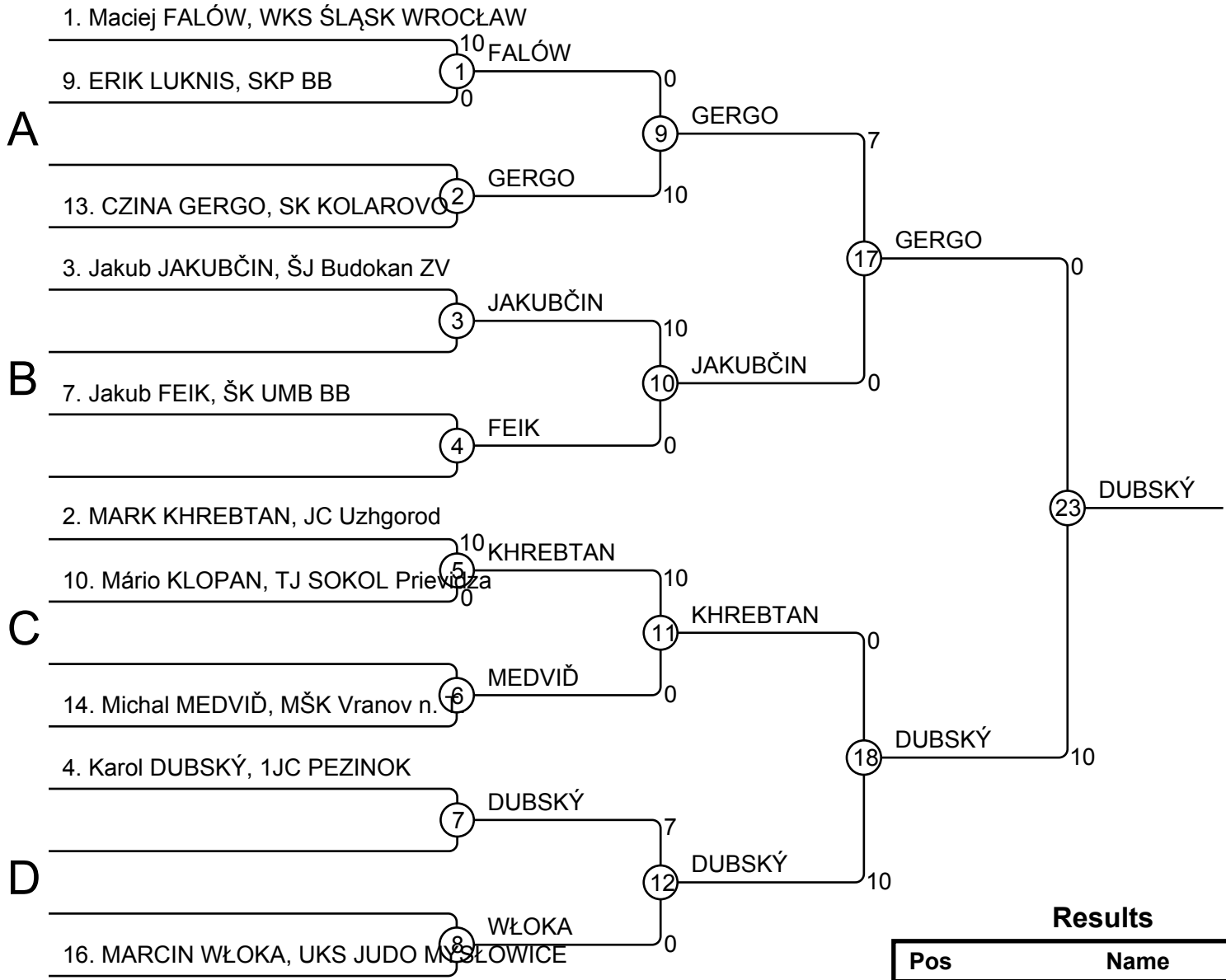
Results

Pos	Name
1	ALJOŠA MARIČ, KBC Judo Lendava
2	Mateusz SZCZEPANIAK, WKS ŚLĄSK WROCŁAW
3	Tomáš ZACHAROVSKÝ, ŠK UMBREB
3	Martin JUSKO, JC Bardejov
5	Erik BOMBÁR, MŠK Vranov n. T.
5	Peter BOSÁK, DK SNV
7	Michal KILAČKO, JK KATSUDO LUČENEC
7	Adrián FRANKO, JK Považská Bystrica



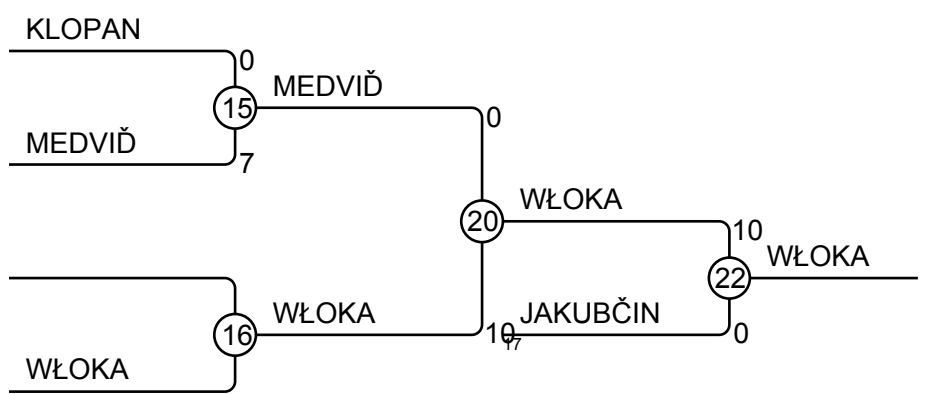
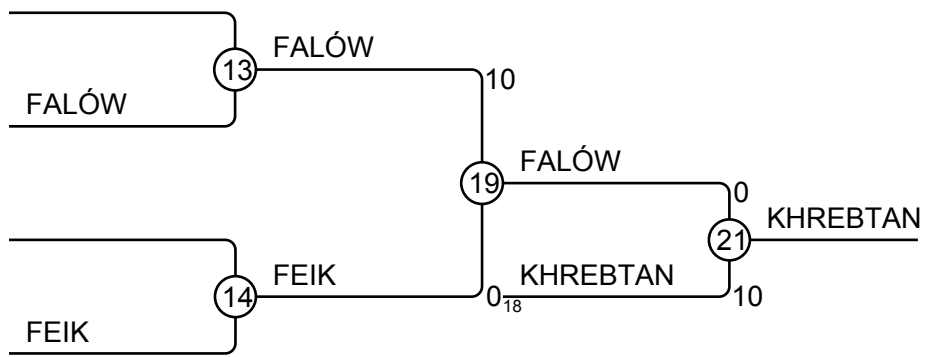
GRAND PRIX 28.02-01.03.2015 BANSKA BYSTRICA MU13-5

Competitors: 10



Results

Pos	Name
1	Karol DUBSKÝ, 1JC PEZINOK
2	CZINA GERGO, SK KOLAROVO
3	MARK KHREBTAN, JC Uzhgorod
3	MARCIN WŁOKA, UKS JUDO MYSŁOWICE
5	Maciej FALÓW, WKS ŚLĄSK WROCŁAW
5	Jakub JAKUBČIN, ŠJ Budokan ZV
7	Jakub FEIK, ŠK UMB BB
7	Michal MEDVIĎ, MŠK Vranov n. T.



GRAND PRIX 28.02-01.03.2015 BANSKA BYSTRICA MU13-5

Competitors: 6

Competitors A

#	Name	Grade	Club	1	2	3	Wins	Pts	Pos
1	ANES VESELI (53,12)	?	POLICI PRISTINA		10	10	2	20	1
2	Ján TRÍMAJ (55,18)	?	Lokomotiva RS			10	1	10	2
3	Leo RYBÁR (52,42)	?	ŠK UMB BB				0	0	3

Matches A

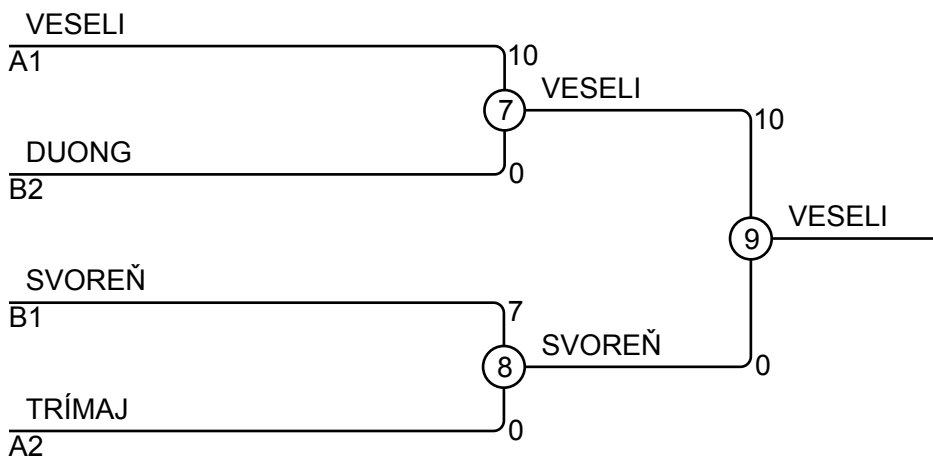
Match	White	Blue	Result	Time
1	ANES VESELI 1 2	Ján TRÍMAJ	10 - 0	0:17
3	ANES VESELI 1 3	Leo RYBÁR	10 - 0	0:58
5	Ján TRÍMAJ 2 3	Leo RYBÁR	10 - 0	0:06

Competitors B

#	Name	Grade	Club	4	5	6	Wins	Pts	Pos
4	Dominik DUONG (52,66)	?	JC ZTS MARTIN			10	1	10	2
5	Šimon SVOREŇ (53,96)	?	TJ Mladost' RS	1		10	2	11	1
6	Pavel MOJŽIŠ (53,22)	?	ŠJ Budokan ZV				0	0	3

Matches B

Match	White	Blue	Result	Time
2	Dominik DUONG 4 5	Šimon SVOREŇ	0 - 1	2:23
4	Dominik DUONG 4 6	Pavel MOJŽIŠ	10 - 0	0:34
6	Šimon SVOREŇ 5 6	Pavel MOJŽIŠ	10 - 0	1:02



Results

Pos	Name
1	ANES VESELI, POLICI PRISTINA
2	Šimon SVOREŇ, TJ Mladost' RS
3	Dominik DUONG, JC ZTS MARTIN
3	Ján TRÍMAJ, Lokomotiva RS

GRAND PRIX 28.02-01.03.2015 BANSKA BYSTRICA MU13-6

Competitors: 8

Competitors A

#	Name	Grade	Club	1	2	3	4	Wins	Pts	Pos
1	Gabriel POTOMA (59,80)	?	MŠK Vranov n. T.			10	10	2	20	1
2	Ladislav DANYI (56,90)	?	Lokomotiva RS	10				1	10	4
3	Bruno MAJOROŠ (56,84)	?	JK KATSUDO LUČENEC		10			1	10	3
4	TOMASZ STACHOWICZ (56,96)	?	UKS JUDO MYSŁOWICE		10	7		2	17	2

Matches A

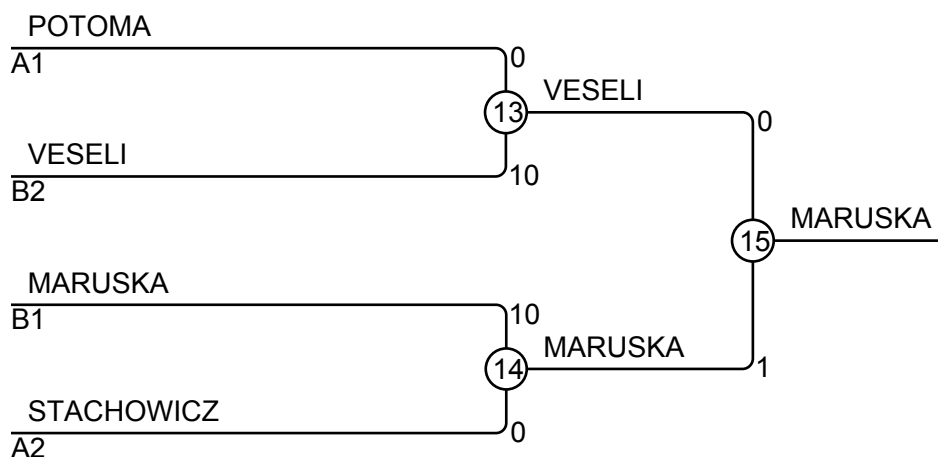
Match	White	Grade	Blue	Result	Time
1	Gabriel POTOMA	1	2	Ladislav DANYI	0 - 10 0:37
3	Bruno MAJOROŠ	3	4	TOMASZ STACHOWICZ	0 - 7 2:00
5	Gabriel POTOMA	1	3	Bruno MAJOROŠ	10 - 0 1:49
7	Ladislav DANYI	2	4	TOMASZ STACHOWICZ	0 - 10 2:00
9	Gabriel POTOMA	1	4	TOMASZ STACHOWICZ	10 - 0 0:51
11	Ladislav DANYI	2	3	Bruno MAJOROŠ	0 - 10 0:19

Competitors B

#	Name	Grade	Club	5	6	7	8	Wins	Pts	Pos
5	Lukáš DEDINSKÝ (56,06)	?	JK KATSUDO LUČENEC					0	0	4
6	Marko ROSÍVAL (55,58)	?	1JC PEZINOK	10			1	2	11	3
7	ALEX MARUSKA (60,00)	?	DUKLA BB	10	10			2	20	1
8	DIAR VESELI (58,26)	?	POLICI PRISTINA	10		7		2	17	2

Matches B

Match	White	Grade	Blue	Result	Time
2	Lukáš DEDINSKÝ	5	6	Marko ROSÍVAL	0 - 10 0:00
4	ALEX MARUSKA	7	8	DIAR VESELI	0 - 7 2:00
6	Lukáš DEDINSKÝ	5	7	ALEX MARUSKA	0 - 10 0:34
8	Marko ROSÍVAL	6	8	DIAR VESELI	1 - 0 2:00
10	Lukáš DEDINSKÝ	5	8	DIAR VESELI	0 - 10 1:32
12	Marko ROSÍVAL	6	7	ALEX MARUSKA	0 - 10 2:00



Results

Pos	Name
1	ALEX MARUSKA, DUKLA BB
2	DIAR VESELI, POLICI PRISTINA
3	Gabriel POTOMA, MŠK Vranov n. T.
3	TOMASZ STACHOWICZ, UKS JUDO MYSŁOWICE

GRAND PRIX 28.02-01.03.2015 BANSKA BYSTRICA MU13+6

Competitors: 4

Competitors

#	Name	Grade	Club	1	2	3	4	Wins	Pts	Pos
1	BENJAMIN MATASEJE (84,00)	?	DUKLA BB		10	10	10	3	30	1
2	Michal VAREŠINSKY (68,05)	?	JC Bardejov					0	0	4
3	ROMAN MITSODA (71,15)	?	JC Uzhgorod		5			1	5	3
4	Matúš LANTAJ (71,80)	?	Slávia STU BA		10	10		2	20	2

Matches

Match	White			Blue	Result	Time
1	BENJAMIN MATASEJE	1	2	Michal VAREŠINSKY	10 - 0	0:09
2	ROMAN MITSODA	3	4	Matúš LANTAJ	0 - 10	0:17
3	BENJAMIN MATASEJE	1	3	ROMAN MITSODA	10 - 0	0:11
4	Michal VAREŠINSKY	2	4	Matúš LANTAJ	0 - 10	0:22
5	BENJAMIN MATASEJE	1	4	Matúš LANTAJ	10 - 0	0:39
6	Michal VAREŠINSKY	2	3	ROMAN MITSODA	0 - 5	2:00

Results

Pos	Name
1	BENJAMIN MATASEJE, DUKLA BB
2	Matúš LANTAJ, Slávia STU BA
3	ROMAN MITSODA, JC Uzhgorod
4	Michal VAREŠINSKY, JC Bardejov

GRAND PRIX 28.02-01.03.2015 BANSKA BYSTRICA FU15-3

Competitors: 2

Competitors

#	Name	Grade	Club	1	2	1	2	1	2	Wins	Pts	Pos
1	Martina KOLMANOVÁ (35,32)	?	JUDO DUBNICA n. /V		10		10			2	20	1
2	Michaela VACULÍKOVÁ (32,26)	?	TJ Mladost' Poprad							0	0	2

Matches

Match	White			Blue	Result	Time
1	Martina KOLMANOVÁ	1	2	Michaela VACULÍKOVÁ	10 - 0	0:26
2	Martina KOLMANOVÁ	1	2	Michaela VACULÍKOVÁ	10 - 0	0:36
3	Martina KOLMANOVÁ	1	2	Michaela VACULÍKOVÁ		

Results

Pos	Name
1	Martina KOLMANOVÁ, JUDO DUBNICA n. /V
2	Michaela VACULÍKOVÁ, TJ Mladost' Poprad

GRAND PRIX 28.02-01.03.2015 BANSKA BYSTRICA FU15-4

Competitors: 3

Competitors

#	Name	Grade	Club	1	2	3	Wins	Pts	Pos
1	Iris LEITMANNOVÁ (38,18)	?	JUDO DUBNICA n. /V				0	0	3
2	Júlia ŠVECOVÁ (40,12)	?	TJ SOKOL Prievidza	10		10	2	20	1
3	PIA PERC (40,00)	?	KBC Judo Lendava	10			1	10	2

Matches

Match	White			Blue	Result	Time
1	Iris LEITMANNOVÁ	1	2	Júlia ŠVECOVÁ	0 - 10	0:22
2	Iris LEITMANNOVÁ	1	3	PIA PERC	0 - 10	0:30
3	Júlia ŠVECOVÁ	2	3	PIA PERC	10 - 0	0:16

Results

Pos	Name
1	Júlia ŠVECOVÁ, TJ SOKOL Prievidza
2	PIA PERC, KBC Judo Lendava
3	Iris LEITMANNOVÁ, JUDO DUBNICA n. /V

GRAND PRIX 28.02-01.03.2015 BANSKA BYSTRICA FU15-4

Competitors: 5

Competitors

#	Name	Grade	Club	1	2	3	4	5	Wins	Pts	Pos
1	Veronika ÚTISOVÁ (43,26)	?	TJ Mladost' RS		10	10	10	10	4	40	1
2	Olivia OLHOVÁ (41,56)	?	JUDO Košice			10		10	2	20	3
3	KRISTINA KACICAKOVA (44,18)	?	JUNIOR LC					10	1	10	4
4	Lidia BOJÁČKOVÁ (41,12)	?	ŠK Zemplín MI		10	10		10	3	30	2
5	JITKA PAVLOVICOVA (42,54)	?	SKP BB						0	0	5

Matches

Match	White			Blue	Result	Time
1	Lidia BOJÁČKOVÁ	4	5	JITKA PAVLOVICOVA	10 - 0	0:29
2	Veronika ÚTISOVÁ	1	2	Olivia OLHOVÁ	10 - 0	0:57
3	KRISTINA KACICAKOVA	3	4	Lidia BOJÁČKOVÁ	0 - 10	1:40
4	Veronika ÚTISOVÁ	1	5	JITKA PAVLOVICOVA	10 - 0	0:52
5	Olivia OLHOVÁ	2	3	KRISTINA KACICAKOVA	10 - 0	0:35
6	Veronika ÚTISOVÁ	1	4	Lidia BOJÁČKOVÁ	10 - 0	0:28
7	KRISTINA KACICAKOVA	3	5	JITKA PAVLOVICOVA	10 - 0	0:30
8	Olivia OLHOVÁ	2	4	Lidia BOJÁČKOVÁ	0 - 10	2:03
9	Veronika ÚTISOVÁ	1	3	KRISTINA KACICAKOVA	10 - 0	0:25
10	Olivia OLHOVÁ	2	5	JITKA PAVLOVICOVA	10 - 0	0:45

Results

Pos	Name
1	Veronika ÚTISOVÁ, TJ Mladost' RS
2	Lidia BOJÁČKOVÁ, ŠK Zemplín MI
3	Olivia OLHOVÁ, JUDO Košice
4	KRISTINA KACICAKOVA, JUNIOR LC
5	JITKA PAVLOVICOVA, SKP BB

GRAND PRIX 28.02-01.03.2015 BANSKA BYSTRICA FU15-4

Competitors: 7

Competitors A

#	Name	Grade	Club	1	2	3	4	Wins	Pts	Pos
1	Viktória JURSOVÁ (47,58)	?	JC ZTS MARTIN					0	0	4
2	Emilie SCHAAL (47,36)	?	Slávia STU BA	10				1	10	3
3	Aleksandra MATUSZEK (47,80)	?	WKS ŚLĄSK WROCŁAW	10	10			2	20	2
4	LARISA ZVER (46,98)	?	KBC Judo Lendava	10	5	10		3	25	1

Matches A

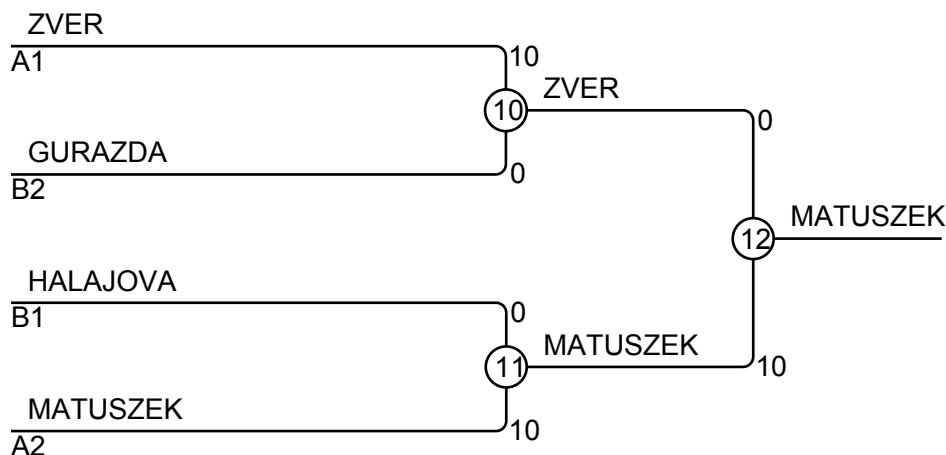
Match	White	Blue	Result	Time
1	Viktória JURSOVÁ (1 2)	Emilie SCHAAL	0 - 10	0:54
2	Aleksandra MATUSZEK (3 4)	LARISA ZVER	0 - 10	2:49
4	Viktória JURSOVÁ (1 3)	Aleksandra MATUSZEK	0 - 10	0:28
5	Emilie SCHAAL (2 4)	LARISA ZVER	0 - 5	3:00
7	Viktória JURSOVÁ (1 4)	LARISA ZVER	0 - 10	1:06
8	Emilie SCHAAL (2 3)	Aleksandra MATUSZEK	0 - 10	1:33

Competitors B

#	Name	Grade	Club	5	6	7	Wins	Pts	Pos
5	Natalia GURAZDA (47,64)	?	WKS ŚLĄSK WROCŁAW		7		1	7	2
6	Radana TOLDYOVÁ (46,06)	?	JK KATSUDO LUČENEC				0	0	3
7	ALEXNADRA HALAJOVA (47,58)		JUNIOR LC	10	10		2	20	1

Matches B

Match	White	Blue	Result	Time
3	Natalia GURAZDA (5 6)	Radana TOLDYOVÁ	7 - 0	3:00
6	Natalia GURAZDA (5 7)	ALEXNADRA HALAJOVA	0 - 10	0:36
9	Radana TOLDYOVÁ (6 7)	ALEXNADRA HALAJOVA	0 - 10	0:28



Results

Pos	Name
1	Aleksandra MATUSZEK, WKS ŚLĄSK WROCŁAW
2	LARISA ZVER, KBC Judo Lendava
3	Natalia GURAZDA, WKS ŚLĄSK WROCŁAW
3	ALEXNADRA HALAJOVA, JUNIOR LC

GRAND PRIX 28.02-01.03.2015 BANSKA BYSTRICA FU15-5

Competitors: 3

Competitors

#	Name	Grade	Club	1	2	3	Wins	Pts	Pos
1	Natalia WSZOŁEK (51,14)	?	WKS ŚLĄSK WROCŁAW		10	10	2	20	1
2	Julia SOKÓŁ (51,98)	?	WKS ŚLĄSK WROCŁAW			10	1	10	2
3	Denisa CABADAJOVÁ (48,82)	?	JC TJ Strojár MA				0	0	3

Matches

Match	White			Blue	Result	Time
1	Natalia WSZOŁEK	1	2	Julia SOKÓŁ	10 - 0	0:43
2	Natalia WSZOŁEK	1	3	Denisa CABADAJOVÁ	10 - 0	0:23
3	Julia SOKÓŁ	2	3	Denisa CABADAJOVÁ	10 - 0	0:40

Results

Pos	Name
1	Natalia WSZOŁEK, WKS ŚLĄSK WROCŁAW
2	Julia SOKÓŁ, WKS ŚLĄSK WROCŁAW
3	Denisa CABADAJOVÁ, JC TJ Strojár MA

GRAND PRIX 28.02-01.03.2015 BANSKA BYSTRICA FU15-5

Competitors: 5

Competitors

#	Name	Grade	Club	1	2	3	4	5	Wins	Pts	Pos
1	Vanessa MATLÁKOVÁ (53,78)	?	JUDO DUBNICA n. /V		10		10		2	20	3
2	Natália NAGYOVÁ (53,80)	?	Slávia STU BA				10		1	10	4
3	Nikola STAWIŃSKA (56,98)	?	WKS ŚLĄSK WROCŁAW	10	10		10	10	4	40	1
4	Marína OVŠÁKOVÁ (54,54)	?	JUDO Košice						0	0	5
5	Dominika ONDRUŠÍKOVÁ (55,94)		TJ Mladost' RS	10	10		10		3	30	2

Matches

Match	White			Blue	Result	Time
1	Marína OVŠÁKOVÁ	4	5	Dominika ONDRUŠÍKOVÁ	0 - 10	0:27
2	Vanessa MATLÁKOVÁ	1	2	Natália NAGYOVÁ	10 - 0	0:10
3	Nikola STAWIŃSKA	3	4	Marína OVŠÁKOVÁ	10 - 0	0:28
4	Vanessa MATLÁKOVÁ	1	5	Dominika ONDRUŠÍKOVÁ	0 - 10	0:24
5	Natália NAGYOVÁ	2	3	Nikola STAWIŃSKA	0 - 10	1:07
6	Vanessa MATLÁKOVÁ	1	4	Marína OVŠÁKOVÁ	10 - 0	1:27
7	Nikola STAWIŃSKA	3	5	Dominika ONDRUŠÍKOVÁ	10 - 0	1:33
8	Natália NAGYOVÁ	2	4	Marína OVŠÁKOVÁ	10 - 0	1:49
9	Vanessa MATLÁKOVÁ	1	3	Nikola STAWIŃSKA	0 - 10	1:28
10	Natália NAGYOVÁ	2	5	Dominika ONDRUŠÍKOVÁ	0 - 10	0:29

Results

Pos	Name
1	Nikola STAWIŃSKA, WKS ŚLĄSK WROCŁAW
2	Dominika ONDRUŠÍKOVÁ, TJ Mladost' RS
3	Vanessa MATLÁKOVÁ, JUDO DUBNICA n. /V
4	Natália NAGYOVÁ, Slávia STU BA
5	Marína OVŠÁKOVÁ, JUDO Košice

GRAND PRIX 28.02-01.03.2015 BANSKA BYSTRICA FU15-6

Competitors: 5

Competitors

#	Name	Grade	Club	1	2	3	4	5	Wins	Pts	Pos
1	Patrícia SLÍŽOVÁ (62,50)	?	TJ Mladost' RS				10	10	2	20	3
2	Slávka IGNÁCOVÁ (62,50)	?	MŠK Vranov n. T.	10			10	10	3	30	2
3	Emilia WOJTYŁO (59,06)	?	WKS ŚLĄSK WROCŁAW	10	10		10	10	4	40	1
4	SARLOTA RINAKOVA (61,40)	?	DUKLA BB					5	1	5	4
5	Martina ANDELOVÁ (60,60)	?	JUDO DUBNICA n. /V						0	0	5

Matches

Match	White			Blue	Result	Time
1	SARLOTA RINAKOVA	4	5	Martina ANDELOVÁ	5 - 0	3:00
2	Patrícia SLÍŽOVÁ	1	2	Slávka IGNÁCOVÁ	0 - 10	0:40
3	Emilia WOJTYŁO	3	4	SARLOTA RINAKOVA	10 - 0	1:09
4	Patrícia SLÍŽOVÁ	1	5	Martina ANDELOVÁ	10 - 0	0:07
5	Slávka IGNÁCOVÁ	2	3	Emilia WOJTYŁO	0 - 10	0:41
6	Patrícia SLÍŽOVÁ	1	4	SARLOTA RINAKOVA	10 - 0	2:12
7	Emilia WOJTYŁO	3	5	Martina ANDELOVÁ	10 - 0	1:30
8	Slávka IGNÁCOVÁ	2	4	SARLOTA RINAKOVA	10 - 0	0:34
9	Patrícia SLÍŽOVÁ	1	3	Emilia WOJTYŁO	0 - 10	1:15
10	Slávka IGNÁCOVÁ	2	5	Martina ANDELOVÁ	10 - 0	0:18

Results

Pos	Name
1	Emilia WOJTYŁO, WKS ŚLĄSK WROCŁAW
2	Slávka IGNÁCOVÁ, MŠK Vranov n. T.
3	Patrícia SLÍŽOVÁ, TJ Mladost' RS
4	SARLOTA RINAKOVA, DUKLA BB
5	Martina ANDELOVÁ, JUDO DUBNICA n. /V

GRAND PRIX 28.02-01.03.2015 BANSKA BYSTRICA FU15+6

Competitors: 4

Competitors

#	Name	Grade	Club	1	2	3	4	Wins	Pts	Pos
1	Jana ŠTAFURÍKOVA (65,10)	?	JC Bardejov		10	10	10	3	30	1
2	Lucia JANKULÍKOVÁ (67,40)	?	ŠJ Budokan ZV					0	0	4
3	Barbora HUDÁČKOVÁ (64,95)	?	ŠK UMB BB		10			1	10	3
4	Katarína IHNÁTOVÁ (77,00)	?	MŠK Vranov n. T.		10	10		2	20	2

Matches

Match	White			Blue	Result	Time
1	Jana ŠTAFURÍKOVA	1	2	Lucia JANKULÍKOVÁ	10 - 0	0:21
2	Barbora HUDÁČKOVÁ	3	4	Katarína IHNÁTOVÁ	0 - 10	0:33
3	Jana ŠTAFURÍKOVA	1	3	Barbora HUDÁČKOVÁ	10 - 0	2:53
4	Lucia JANKULÍKOVÁ	2	4	Katarína IHNÁTOVÁ	0 - 10	0:54
5	Jana ŠTAFURÍKOVA	1	4	Katarína IHNÁTOVÁ	10 - 0	0:40
6	Lucia JANKULÍKOVÁ	2	3	Barbora HUDÁČKOVÁ	0 - 10	1:45

Results

Pos	Name
1	Jana ŠTAFURÍKOVA, JC Bardejov
2	Katarína IHNÁTOVÁ, MŠK Vranov n. T.
3	Barbora HUDÁČKOVÁ, ŠK UMB BB
4	Lucia JANKULÍKOVÁ, ŠJ Budokan ZV

GRAND PRIX 28.02-01.03.2015 BANSKA BYSTRICA MU15-3

Competitors: 7

Competitors A

#	Name	Grade	Club	1	2	3	4	Wins	Pts	Pos
1	Július REENDEK (38,12)	?	JK KATSUDO LUČENEC					0	0	4
2	Miloš KRAJČI (36,82)	?	ŠK UMB BB	5		10		2	15	2
3	FILIP CVEK (31,42)	?	PANDA ZAGREB	10				1	10	3
4	ART VESELI (35,66)	?	POLICI PRISTINA	10	10	10		3	30	1

Matches A

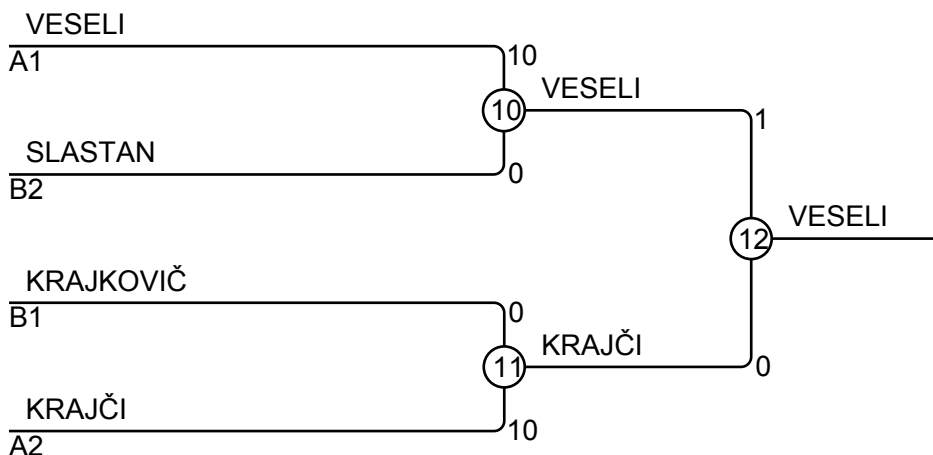
Match	White	Blue	Result	Time
1	Július REENDEK 1 2	Miloš KRAJČI	0 - 5	3:00
2	FILIP CVEK 3 4	ART VESELI	0 - 10	1:00
4	Július REENDEK 1 3	FILIP CVEK	0 - 10	1:31
5	Miloš KRAJČI 2 4	ART VESELI	0 - 10	2:06
7	Július REENDEK 1 4	ART VESELI	0 - 10	1:39
8	Miloš KRAJČI 2 3	FILIP CVEK	10 - 0	0:45

Competitors B

#	Name	Grade	Club	5	6	7	Wins	Pts	Pos
5	JAKUB SLASTAN (37,16)	?	SKP BB			7	1	7	2
6	Peter KRAJKOVIČ (33,72)	?	JC ZTS MARTIN	10		10	2	20	1
7	Jakub KRYSKA (33,26)	?	WKS ŚLĄSK WROCŁAW				0	0	3

Matches B

Match	White	Blue	Result	Time
3	JAKUB SLASTAN 5 6	Peter KRAJKOVIČ	0 - 10	1:06
6	JAKUB SLASTAN 5 7	Jakub KRYSKA	7 - 0	3:00
9	Peter KRAJKOVIČ 6 7	Jakub KRYSKA	10 - 0	0:31



Results

Pos	Name
1	ART VESELI, POLICI PRISTINA
2	Miloš KRAJČI, ŠK UMB BB
3	JAKUB SLASTAN, SKP BB
3	Peter KRAJKOVIČ, JC ZTS MARTIN

GRAND PRIX 28.02-01.03.2015 BANSKA BYSTRICA MU15-4

Competitors: 5

Competitors

#	Name	Grade	Club	1	2	3	4	5	Wins	Pts	Pos
1	Michal MARUNA (40,44)	?	JC ZTS MARTIN		10	1			2	11	3
2	LOVRO SUCIC (41,68)	?	PANDA ZAGREB						0	0	5
3	Péter BALOGH (40,26)	?	Debreceni Sportcentrum		5				1	5	4
4	Bartolomej WITKOWSKI (42,18)	?	ŠK Zemplín MI	10	10	7		10	4	37	1
5	Patrick JACKANIN (40,86)	?	JC Bardejov	10	10	10			3	30	2

Matches

Match	White	Blue	Result	Time
1	Bartolomej WITKOWSKI 4 5	Patrick JACKANIN	10 - 0	0:51
2	Michal MARUNA 1 2	LOVRO SUCIC	10 - 0	0:41
3	Péter BALOGH 3 4	Bartolomej WITKOWSKI	0 - 7	3:00
4	Michal MARUNA 1 5	Patrick JACKANIN	0 - 10	0:11
5	LOVRO SUCIC 2 3	Péter BALOGH	0 - 5	3:00
6	Michal MARUNA 1 4	Bartolomej WITKOWSKI	0 - 10	0:28
7	Péter BALOGH 3 5	Patrick JACKANIN	0 - 10	2:54
8	LOVRO SUCIC 2 4	Bartolomej WITKOWSKI	0 - 10	0:00
9	Michal MARUNA 1 3	Péter BALOGH	1 - 0	3:08
10	LOVRO SUCIC 2 5	Patrick JACKANIN	0 - 10	0:00

Results

Pos	Name
1	Bartolomej WITKOWSKI, ŠK Zemplín MI
2	Patrick JACKANIN, JC Bardejov
3	Michal MARUNA, JC ZTS MARTIN
4	Péter BALOGH, Debreceni Sportcentrum
5	LOVRO SUCIC, PANDA ZAGREB

GRAND PRIX 28.02-01.03.2015 BANSKA BYSTRICA MU15-4

Competitors: 6

Competitors A

#	Name	Grade	Club	1	2	3	Wins	Pts	Pos
1	JAKUB DONOVAL (45,70)	?	DUKLA BB				0	0	3
2	Miroslav VANEK (42,86)	?	JC Bardejov	10			1	10	2
3	Jan MROZIŇSKI (46,06)	?	WKS ŚLĄSK WROCŁAW	10	10		2	20	1

Matches A

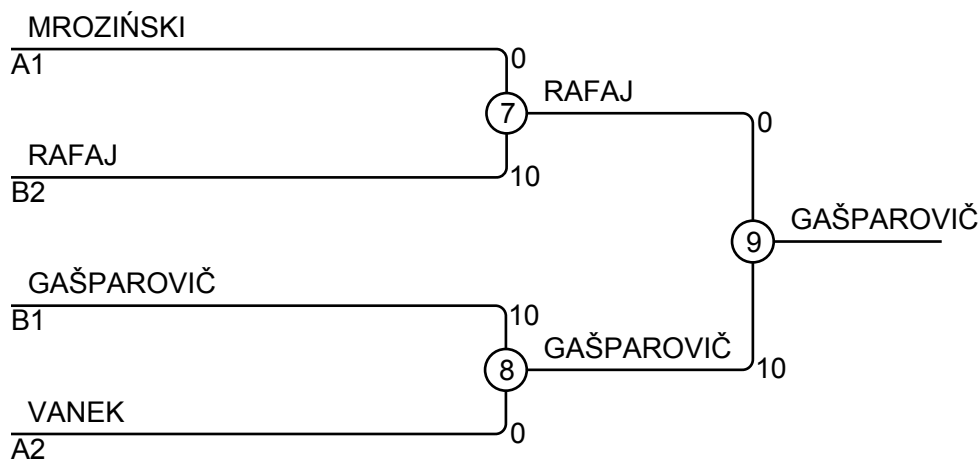
Match	White	Blue	Result	Time
1	JAKUB DONOVAL	1 2 Miroslav VANEK	0 - 10	0:40
3	JAKUB DONOVAL	1 3 Jan MROZIŇSKI	0 - 10	0:36
5	Miroslav VANEK	2 3 Jan MROZIŇSKI	0 - 10	2:08

Competitors B

#	Name	Grade	Club	4	5	6	Wins	Pts	Pos
4	Jozef RAFAJ (44,52)	?	JUDO DUBNICA n. /V		10		1	10	2
5	IGOR VULELIJA (42,74)	?	PANDA ZAGREB				0	0	3
6	Matúš GAŠPAROVIČ (45,84)	?	1JC PEZINOK	5	10		2	15	1

Matches B

Match	White	Blue	Result	Time
2	Jozef RAFAJ	4 5 IGOR VULELIJA	10 - 0	1:38
4	Jozef RAFAJ	4 6 Matúš GAŠPAROVIČ	0 - 5	3:00
6	IGOR VULELIJA	5 6 Matúš GAŠPAROVIČ	0 - 10	0:36



Results

Pos	Name
1	Matúš GAŠPAROVIČ, 1JC PEZINOK
2	Jozef RAFAJ, JUDO DUBNICA n. /V
3	Jan MROZIŇSKI, WKS ŚLĄSK WROCŁAW
3	Miroslav VANEK, JC Bardejov

GRAND PRIX 28.02-01.03.2015 BANSKA BYSTRICA MU15-5

Competitors: 6

Competitors A

#	Name	Grade	Club	1	2	3	Wins	Pts	Pos
1	JIRI RAFFEL (49,36)	?	Judoclub Liberec				0	0	3
2	TIMI MARKOJA (47,36)	?	KBC Judo Lendava	10		10	2	20	1
3	Adrián KOLENO (47,20)	?	TJ Mladost' Žilina	10			1	10	2

Matches A

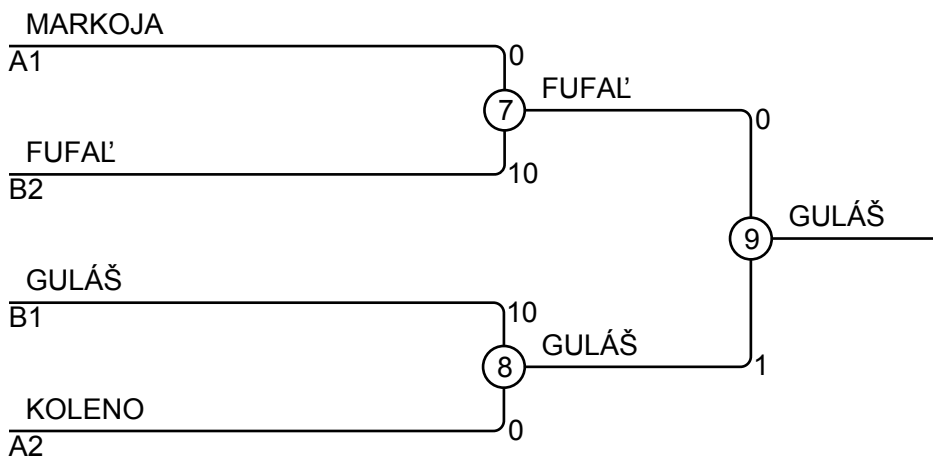
Match	White	Blue	Result	Time
1	JIRI RAFFEL	1 2 TIMI MARKOJA	0 - 10	0:27
3	JIRI RAFFEL	1 3 Adrián KOLENO	0 - 10	0:44
5	TIMI MARKOJA	2 3 Adrián KOLENO	10 - 0	0:49

Competitors B

#	Name	Grade	Club	4	5	6	Wins	Pts	Pos
4	Alex GULÁŠ (47,10)	?	TJ SOKOL Prievidza		7	10	2	17	1
5	Patrik FUFAL' (46,90)	?	1JC PEZINOK			10	1	10	2
6	Kacper PONIKOWSKI (47,04)	?	WKS ŚLĄSK WROCŁAW				0	0	3

Matches B

Match	White	Blue	Result	Time
2	Alex GULÁŠ	4 5 Patrik FUFAL'	7 - 0	3:00
4	Alex GULÁŠ	4 6 Kacper PONIKOWSKI	10 - 0	0:41
6	Patrik FUFAL'	5 6 Kacper PONIKOWSKI	10 - 0	0:29



Results

Pos	Name
1	Alex GULÁŠ, TJ SOKOL Prievidza
2	Patrik FUFAL', 1JC PEZINOK
3	TIMI MARKOJA, KBC Judo Lendava
3	Adrián KOLENO, TJ Mladost' Žilina

GRAND PRIX 28.02-01.03.2015 BANSKA BYSTRICA MU15-5

Competitors: 8

Competitors A

#	Name	Grade	Club	1	2	3	4	Wins	Pts	Pos
1	Ján SRŠEŇ (53,58)	?	ŠK UMB BB		5	7	10	3	22	1
2	Denis ŠKULTÉTY (53,56)	?	TJ SOKOL Prievidza					0	0	4
3	Juraj PAVLOVIČ (52,68)	?	Slávia STU BA		5			1	5	3
4	Erik VACULÍK (51,84)	?	TJ Mladost' Poprad		10	10		2	20	2

Matches A

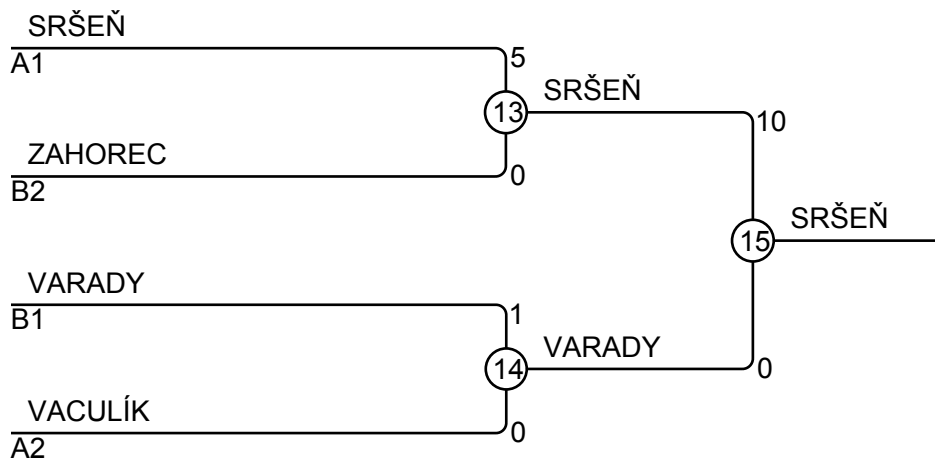
Match	White	Blue	Result	Time
1	Ján SRŠEŇ	1 2 Denis ŠKULTÉTY	5 - 0	3:00
3	Juraj PAVLOVIČ	3 4 Erik VACULÍK	0 - 10	1:29
5	Ján SRŠEŇ	1 3 Juraj PAVLOVIČ	7 - 0	3:00
7	Denis ŠKULTÉTY	2 4 Erik VACULÍK	0 - 10	0:37
9	Ján SRŠEŇ	1 4 Erik VACULÍK	10 - 0	0:44
11	Denis ŠKULTÉTY	2 3 Juraj PAVLOVIČ	0 - 5	3:00

Competitors B

#	Name	Grade	Club	5	6	7	8	Wins	Pts	Pos
5	Martin VARADY (52,42)	?	ŠK Zemplín MI		10	10	10	3	30	1
6	Denis KRAJKOVIČ (51,44)	?	JC ZTS MARTIN					0	0	4
7	Matúš ŠUSTEK (52,16)	?	ŠK UMB BB		10			1	10	3
8	JAKUB ZAHOREC (52,62)	?	DUKLA BB		10	10		2	20	2

Matches B

Match	White	Blue	Result	Time
2	Martin VARADY	5 6 Denis KRAJKOVIČ	10 - 0	0:17
4	Matúš ŠUSTEK	7 8 JAKUB ZAHOREC	0 - 10	2:09
6	Martin VARADY	5 7 Matúš ŠUSTEK	10 - 0	0:56
8	Denis KRAJKOVIČ	6 8 JAKUB ZAHOREC	0 - 10	0:34
10	Martin VARADY	5 8 JAKUB ZAHOREC	10 - 0	2:50
12	Denis KRAJKOVIČ	6 7 Matúš ŠUSTEK	0 - 10	0:20



Results

Pos	Name
1	Ján SRŠEŇ, ŠK UMB BB
2	Martin VARADY, ŠK Zemplín MI
3	JAKUB ZAHOREC, DUKLA BB
3	Erik VACULÍK, TJ Mladost' Poprad

GRAND PRIX 28.02-01.03.2015 BANSKA BYSTRICA MU15-6

Competitors: 5

Competitors

#	Name	Grade	Club	1	2	3	4	5	Wins	Pts	Pos
1	Matúš KLOPAN (58,12)	?	TJ SOKOL Prievidza						0	0	5
2	Filip ČASNOCHA (57,46)	?	1JC PEZINOK	10					1	10	4
3	Matyáš SOBOTA (59,92)	?	JK Jablonec n. N.	10	10		10		3	30	2
4	Filip KYSEL (59,02)	?	Slávia STU BA	10	10				2	20	3
5	Carlos GALLARDE (59,32)	?	Slávia STU BA	10	10	5	10		4	35	1

Matches

Match	White			Blue	Result	Time
1	Filip KYSEL	4	5	Carlos GALLARDE	0 - 10	0:07
2	Matúš KLOPAN	1	2	Filip ČASNOCHA	0 - 10	0:33
3	Matyáš SOBOTA	3	4	Filip KYSEL	10 - 0	0:08
4	Matúš KLOPAN	1	5	Carlos GALLARDE	0 - 10	0:06
5	Filip ČASNOCHA	2	3	Matyáš SOBOTA	0 - 10	0:13
6	Matúš KLOPAN	1	4	Filip KYSEL	0 - 10	0:36
7	Matyáš SOBOTA	3	5	Carlos GALLARDE	0 - 5	3:00
8	Filip ČASNOCHA	2	4	Filip KYSEL	0 - 10	0:42
9	Matúš KLOPAN	1	3	Matyáš SOBOTA	0 - 10	0:12
10	Filip ČASNOCHA	2	5	Carlos GALLARDE	0 - 10	1:36

Results

Pos	Name
1	Carlos GALLARDE, Slávia STU BA
2	Matyáš SOBOTA, JK Jablonec n. N.
3	Filip KYSEL, Slávia STU BA
4	Filip ČASNOCHA, 1JC PEZINOK
5	Matúš KLOPAN, TJ SOKOL Prievidza

GRAND PRIX 28.02-01.03.2015 BANSKA BYSTRICA MU15-6

Competitors: 7

Competitors A

#	Name	Grade	Club	1	2	3	4	Wins	Pts	Pos
1	Daniel KMETÍK (64,35)	?	TJ Mladost' RS					0	0	4
2	Nikolas KARÁSEK (61,45)	?	TJ SOKOL Prievidza	10		10		2	20	2
3	Adam ŠARGA (61,60)	?	DK SNV	10				1	10	3
4	BORNA TURALIJA (65,50)	?	PANDA ZAGREB	10	10	10		3	30	1

Matches A

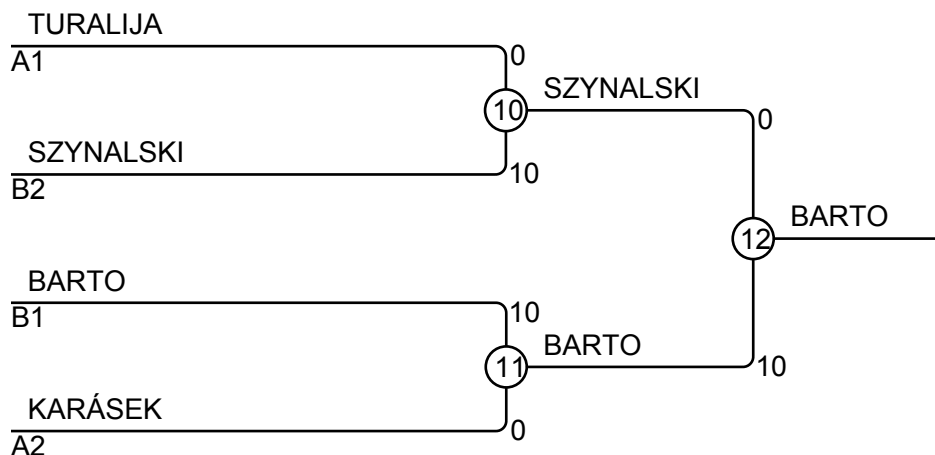
Match	White	Blue	Result	Time
1	Daniel KMETÍK 1	Nikolas KARÁSEK 2	0 - 10	0:06
2	Adam ŠARGA 3	BORNA TURALIJA 4	0 - 10	1:43
4	Daniel KMETÍK 1	Adam ŠARGA 3	0 - 10	1:02
5	Nikolas KARÁSEK 2	BORNA TURALIJA 4	0 - 10	2:23
7	Daniel KMETÍK 1	BORNA TURALIJA 4	0 - 10	0:28
8	Nikolas KARÁSEK 2	Adam ŠARGA 3	10 - 0	2:15

Competitors B

#	Name	Grade	Club	5	6	7	Wins	Pts	Pos
5	Maciej SZYNALSKI (64,20)	?	WKS ŚLĄSK WROCŁAW			10	1	10	2
6	ALEX BARTO (66,15)	?	DUKLA BB	10		10	2	20	1
7	Marko MIKUNDA (60,65)	?	TJ Mladost' Žilina				0	0	3

Matches B

Match	White	Blue	Result	Time
3	Maciej SZYNALSKI 5	ALEX BARTO 6	0 - 10	1:17
6	Maciej SZYNALSKI 5	Marko MIKUNDA 7	10 - 0	0:10
9	ALEX BARTO 6	Marko MIKUNDA 7	10 - 0	1:30



Results

Pos	Name
1	ALEX BARTO, DUKLA BB
2	Maciej SZYNALSKI, WKS ŚLĄSK WROCŁAW
3	BORNA TURALIJA, PANDA ZAGREB
3	Nikolas KARÁSEK, TJ SOKOL Prievidza

GRAND PRIX 28.02-01.03.2015 BANSKA BYSTRICA MU15-7

Competitors: 3

Competitors

#	Name	Grade	Club	1	2	3	Wins	Pts	Pos
1	Lukáš PILZ (71,00)	?	TJ Mladost' RS				0	0	3
2	SAMUEL RET (70,90)	?	SKP BB	10		10	2	20	1
3	Maciej KUCZEER (71,10)	?	WKS ŚLĄSK WROCŁAW	10			1	10	2

Matches

Match	White			Blue	Result	Time
1	Lukáš PILZ	1	2	SAMUEL RET	0 - 10	0:40
2	Lukáš PILZ	1	3	Maciej KUCZEER	0 - 10	0:28
3	SAMUEL RET	2	3	Maciej KUCZEER	10 - 0	1:56

Results

Pos	Name
1	SAMUEL RET, SKP BB
2	Maciej KUCZEER, WKS ŚLĄSK WROCŁAW
3	Lukáš PILZ, TJ Mladost' RS

GRAND PRIX 28.02-01.03.2015 BANSKA BYSTRICA MU15+7

Competitors: 2

Competitors

#	Name	Grade	Club	1	2	1	2	1	2	Wins	Pts	Pos
1	Wojciech KORDYALIK (113,10)	?	WKS ŚLĄSK WROCŁAW		10		10			2	20	1
2	Adam BAROBIN (80,45)	?	JUDO Košice							0	0	2

Matches

Match	White			Blue	Result	Time
1	Wojciech KORDYALIK	1	2	Adam BAROBIN	10 - 0	0:20
2	Wojciech KORDYALIK	1	2	Adam BAROBIN	10 - 0	0:31
3	Wojciech KORDYALIK	1	2	Adam BAROBIN		

Results

Pos	Name
1	Wojciech KORDYALIK, WKS ŚLĄSK WROCŁAW
2	Adam BAROBIN, JUDO Košice

GRAND PRIX 28.02-01.03.2015 BANSKA BYSTRICA FU18-4

Competitors: 2

Competitors

#	Name	Grade	Club	1	2	1	2	1	2	Wins	Pts	Pos
1	Miroslava MORONGOVÁ (43,90)	?	ŠK Zemplín MI		10		10			2	20	1
2	PETRA HRINOVA (43,96)	?	JC KATSUDO LC							0	0	2

Matches

Match	White			Blue	Result	Time
1	Miroslava MORONGOVÁ	1	2	PETRA HRINOVA	10 - 0	2:09
2	Miroslava MORONGOVÁ	1	2	PETRA HRINOVA	10 - 0	2:11
3	Miroslava MORONGOVÁ	1	2	PETRA HRINOVA		

Results

Pos	Name
1	Miroslava MORONGOVÁ, ŠK Zemplín MI
2	PETRA HRINOVA, JC KATSUDO LC

GRAND PRIX 28.02-01.03.2015 BANSKA BYSTRICA FU18-4

Competitors: 5

Competitors

#	Name	Grade	Club	1	2	3	4	5	Wins	Pts	Pos
1	Nikoleta MULLEROVÁ (47,58)	?	TJ Mladost' RS			10		10	2	20	3
2	VERONIKA SZABOOVA (46,42)	?	SK KOLAROVO	10		10			2	20	2
3	Zuzanna GRABOWSKA (47,44)	?	WKS ŚLĄSK WROCŁAW						0	0	5
4	PATRICIA BOKOROVA (47,58)	?	JUNIOR LC	10	7	10		10	4	37	1
5	ALEXANDRA BOBALOVA (46,72)		JUNIOR LC		7	7			2	14	4

Matches

Match	White			Blue	Result	Time
1	PATRICIA BOKOROVA	4	5	ALEXANDRA BOBALOVA	10 - 0	1:39
2	Nikoleta MULLEROVÁ	1	2	VERONIKA SZABOOVA	0 - 10	2:59
3	Zuzanna GRABOWSKA	3	4	PATRICIA BOKOROVA	0 - 10	2:03
4	Nikoleta MULLEROVÁ	1	5	ALEXANDRA BOBALOVA	10 - 0	1:16
5	VERONIKA SZABOOVA	2	3	Zuzanna GRABOWSKA	10 - 0	0:42
6	Nikoleta MULLEROVÁ	1	4	PATRICIA BOKOROVA	0 - 10	0:53
7	Zuzanna GRABOWSKA	3	5	ALEXANDRA BOBALOVA	0 - 7	4:00
8	VERONIKA SZABOOVA	2	4	PATRICIA BOKOROVA	0 - 7	4:00
9	Nikoleta MULLEROVÁ	1	3	Zuzanna GRABOWSKA	10 - 0	3:49
10	VERONIKA SZABOOVA	2	5	ALEXANDRA BOBALOVA	0 - 7	4:00

Results

Pos	Name
1	PATRICIA BOKOROVA, JUNIOR LC
2	VERONIKA SZABOOVA, SK KOLAROVO
3	Nikoleta MULLEROVÁ, TJ Mladost' RS
4	ALEXANDRA BOBALOVA, JUNIOR LC
5	Zuzanna GRABOWSKA, WKS ŚLĄSK WROCŁAW

GRAND PRIX 28.02-01.03.2015 BANSKA BYSTRICA FU18-5

Competitors: 2

Competitors

#	Name	Grade	Club	1	2	1	2	1	2	Wins	Pts	Pos
1	MARGARETA MLINARIC (50,42)	?	PANDA ZAGREB		10		10			2	20	1
2	Viktória MIKOVÁ (51,58)	?	MŠK Vranov n. T.							0	0	2

Matches

Match	White			Blue	Result	Time
1	MARGARETA MLINARIC	1	2	Viktória MIKOVÁ	10 - 0	0:24
2	MARGARETA MLINARIC	1	2	Viktória MIKOVÁ	10 - 0	1:29
3	MARGARETA MLINARIC	1	2	Viktória MIKOVÁ		

Results

Pos	Name
1	MARGARETA MLINARIC, PANDA ZAGREB
2	Viktória MIKOVÁ, MŠK Vranov n. T.

GRAND PRIX 28.02-01.03.2015 BANSKA BYSTRICA FU18-5

Competitors: 4

Competitors

#	Name	Grade	Club	1	2	3	4	Wins	Pts	Pos
1	Lenka PRIŠČÁKOVÁ (56,76)	?	TJ Slávia PU Prešov		10	10		2	20	2
2	Natália GALLSCHNEIDEROVÁ (55,50)	?	DK SNV			10		1	10	3
3	ADRIANA KLEMSCHEOVA (56,80)	?	SOKOL I PROSTEJOV					0	0	4
4	Terézia KŘIŽÁNKOVÁ (56,84)	?	JK Považská Bystrica	10	10	10		3	30	1

Matches

Match	White			Blue	Result	Time
1	Lenka PRIŠČÁKOVÁ	1	2	Natália GALLSCHNEIDEROVÁ	10 - 0	1:01
2	ADRIANA KLEMSCHEOVA	3	4	Terézia KŘIŽÁNKOVÁ	0 - 10	1:20
3	Lenka PRIŠČÁKOVÁ	1	3	ADRIANA KLEMSCHEOVA	10 - 0	0:07
4	Natália GALLSCHNEIDEROVÁ	2	4	Terézia KŘIŽÁNKOVÁ	0 - 10	0:31
5	Lenka PRIŠČÁKOVÁ	1	4	Terézia KŘIŽÁNKOVÁ	0 - 10	1:26
6	Natália GALLSCHNEIDEROVÁ	2	3	ADRIANA KLEMSCHEOVA	10 - 0	0:11

Results

Pos	Name
1	Terézia KŘIŽÁNKOVÁ, JK Považská Bystrica
2	Lenka PRIŠČÁKOVÁ, TJ Slávia PU Prešov
3	Natália GALLSCHNEIDEROVÁ, DK SNV
4	ADRIANA KLEMSCHEOVA, SOKOL I PROSTEJOV

GRAND PRIX 28.02-01.03.2015 BANSKA BYSTRICA FU18-6

Competitors: 4

Competitors

#	Name	Grade	Club	1	2	3	4	Wins	Pts	Pos
1	Daniela VAVREKOVÁ (61,35)	?	DK SNV					0	0	4
2	Slávka IGNÁCOVÁ (62,50)	?	MŠK Vranov n. T.	10				1	10	3
3	SIMONA JERABKOVA (63,20)	?	SOKOL I PROSTEJOV	10	10			2	20	2
4	VERONIKA PARSOVA (62,40)	?	DUKLA BB	10	10	10		3	30	1

Matches

Match	White			Blue	Result	Time
1	Daniela VAVREKOVÁ	1	2	Slávka IGNÁCOVÁ	0 - 10	3:19
2	SIMONA JERABKOVA	3	4	VERONIKA PARSOVA	0 - 10	1:46
3	Daniela VAVREKOVÁ	1	3	SIMONA JERABKOVA	0 - 10	2:43
4	Slávka IGNÁCOVÁ	2	4	VERONIKA PARSOVA	0 - 10	1:36
5	Daniela VAVREKOVÁ	1	4	VERONIKA PARSOVA	0 - 10	0:19
6	Slávka IGNÁCOVÁ	2	3	SIMONA JERABKOVA	0 - 10	0:07

Results

Pos	Name
1	VERONIKA PARSOVA, DUKLA BB
2	SIMONA JERABKOVA, SOKOL I PROSTEJOV
3	Slávka IGNÁCOVÁ, MŠK Vranov n. T.
4	Daniela VAVREKOVÁ, DK SNV

GRAND PRIX 28.02-01.03.2015 BANSKA BYSTRICA FU18+6

Competitors: 7

Competitors A

#	Name	Grade	Club	1	2	3	4	Wins	Pts	Pos
1	Kinga WOLSZCZAK (73,00)	?	WKS ŚLĄSK WROCŁAW			10		1	10	3
2	Kateřina POLÁKOVÁ (68,50)	?	JK Jablonec n. N.	10		10	10	3	30	1
3	Jana ŠTAFURÍKOVA (65,10)	?	JC Bardejov					0	0	4
4	Martina VARADYOVÁ (68,05)	?	ŠK Zemplín MI	10		10		2	20	2

Matches A

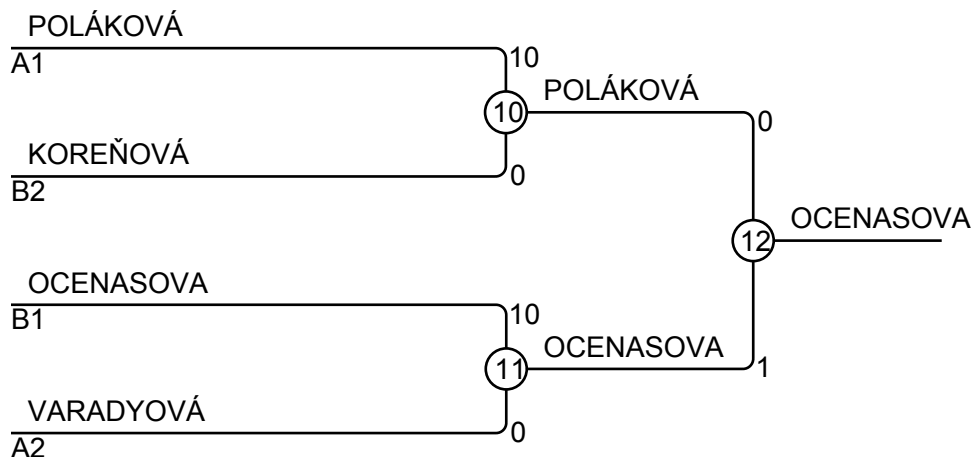
Match	White	Blue	Result	Time
1	Kinga WOLSZCZAK 1 2	Kateřina POLÁKOVÁ	0 - 10	1:34
2	Jana ŠTAFURÍKOVA 3 4	Martina VARADYOVÁ	0 - 10	0:24
4	Kinga WOLSZCZAK 1 3	Jana ŠTAFURÍKOVA	10 - 0	0:32
5	Kateřina POLÁKOVÁ 2 4	Martina VARADYOVÁ	10 - 0	3:22
7	Kinga WOLSZCZAK 1 4	Martina VARADYOVÁ	0 - 10	0:27
8	Kateřina POLÁKOVÁ 2 3	Jana ŠTAFURÍKOVA	10 - 0	1:10

Competitors B

#	Name	Grade	Club	5	6	7	Wins	Pts	Pos
5	Natalia PETRUNY (79,70)	?	ŠK Zemplín MI				0	0	3
6	ZUZANA OCENASOVA (65,80)	?	TJ MLADOST RS	10		10	2	20	1
7	Eva KOREŇOVÁ (78,05)	?	ŠK Zemplín MI	10			1	10	2

Matches B

Match	White	Blue	Result	Time
3	Natalia PETRUNY 5 6	ZUZANA OCENASOVA	0 - 10	1:45
6	Natalia PETRUNY 5 7	Eva KOREŇOVÁ	0 - 10	3:51
9	ZUZANA OCENASOVA 6 7	Eva KOREŇOVÁ	10 - 0	0:29



Results

Pos	Name
1	ZUZANA OCENASOVA, TJ MLADOST RS
2	Kateřina POLÁKOVÁ, JK Jablonec n. N.
3	Eva KOREŇOVÁ, ŠK Zemplín MI
3	Martina VARADYOVÁ, ŠK Zemplín MI

GRAND PRIX 28.02-01.03.2015 BANSKA BYSTRICA MU18-4

Competitors: 4

Competitors

#	Name	Grade	Club	1	2	3	4	Wins	Pts	Pos
1	Miroslav VANEK (42,86)	?	JC Bardejov					0	0	4
2	Bartolomej WITKOWSKI (42,26)	?	ŠK Zemplín MI	10		10		2	20	1
3	Patrik VAŠINA (41,78)	?	JC Železo Hranice	10			7	2	17	2
4	VOJTECH SCHEJBAL (44,52)	?	Judoclub Liberec	10	1			2	11	3

Matches

Match	White			Blue	Result	Time
1	Miroslav VANEK	1	2	Bartolomej WITKOWSKI	0 - 10	2:10
2	Patrik VAŠINA	3	4	VOJTECH SCHEJBAL	7 - 0	4:00
3	Miroslav VANEK	1	3	Patrik VAŠINA	0 - 10	1:15
4	Bartolomej WITKOWSKI	2	4	VOJTECH SCHEJBAL	0 - 1	5:09
5	Miroslav VANEK	1	4	VOJTECH SCHEJBAL	0 - 10	0:22
6	Bartolomej WITKOWSKI	2	3	Patrik VAŠINA	10 - 0	2:01

Results

Pos	Name
1	Bartolomej WITKOWSKI, ŠK Zemplín MI
2	Patrik VAŠINA, JC Železo Hranice
3	VOJTECH SCHEJBAL, Judoclub Liberec
4	Miroslav VANEK, JC Bardejov

GRAND PRIX 28.02-01.03.2015 BANSKA BYSTRICA MU18-5

Competitors: 2

Competitors

#	Name	Grade	Club	1	2	1	2	1	2	Wins	Pts	Pos
1	BRUNO BANSKY (47,70)	?	DUKLA BB							0	0	2
2	David ŠATÁNEK (50,00)	?	JC Železo Hranice	7		10				2	17	1

Matches

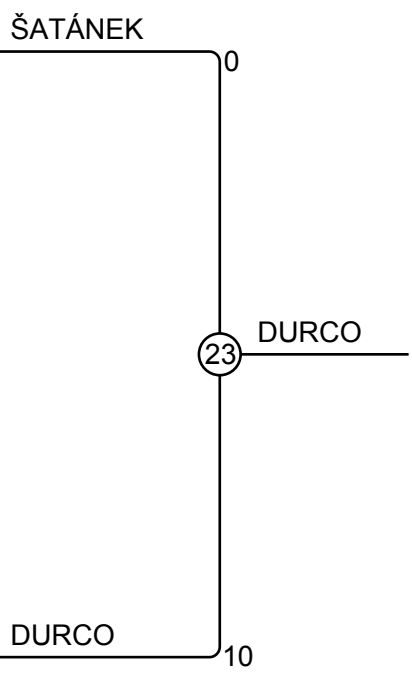
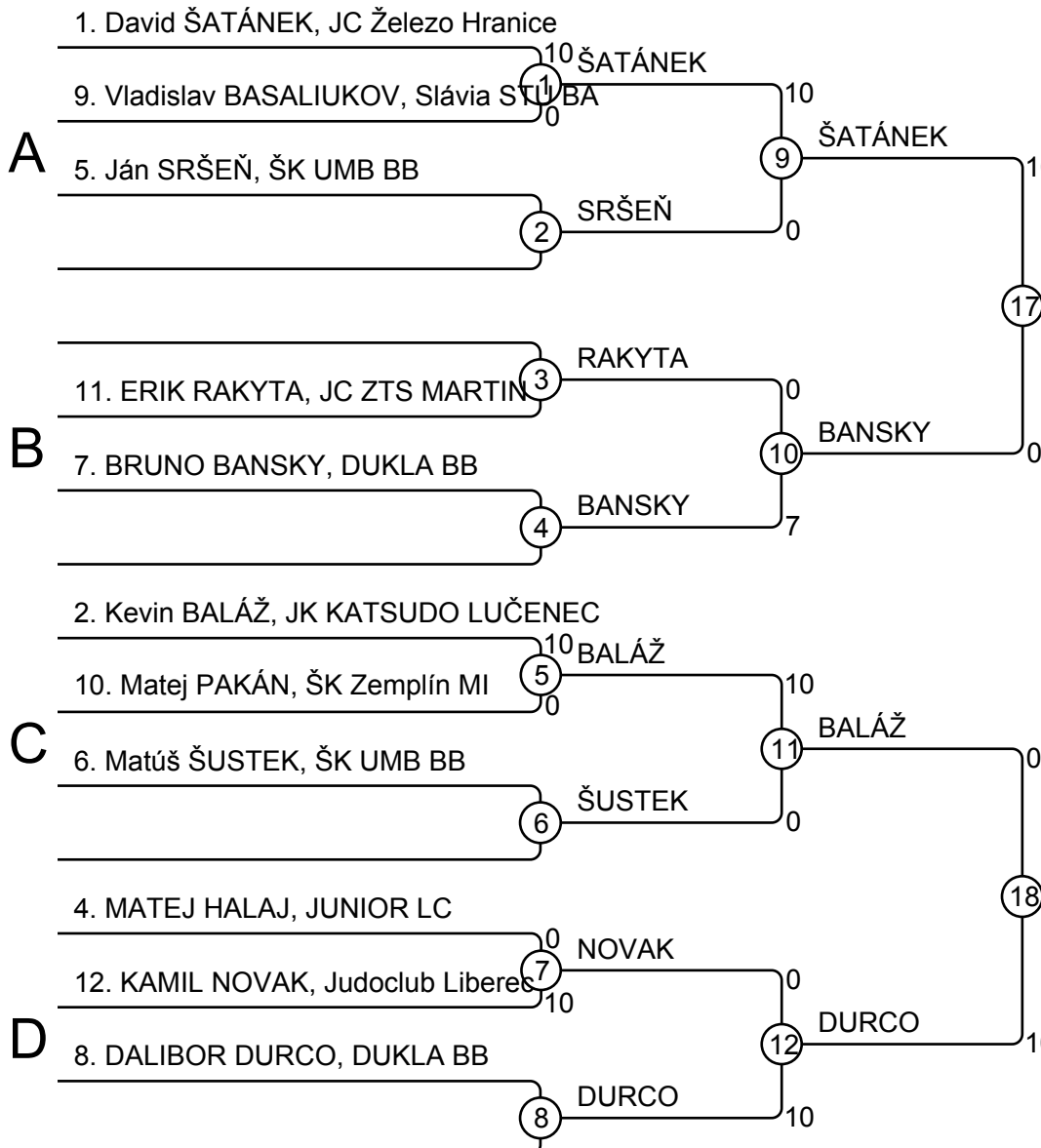
Match	White			Blue	Result	Time
1	BRUNO BANSKY	1	2	David ŠATÁNEK	0 - 7	4:00
2	BRUNO BANSKY	1	2	David ŠATÁNEK	0 - 10	0:29
3	BRUNO BANSKY	1	2	David ŠATÁNEK		

Results

Pos	Name
1	David ŠATÁNEK, JC Železo Hranice
2	BRUNO BANSKY, DUKLA BB

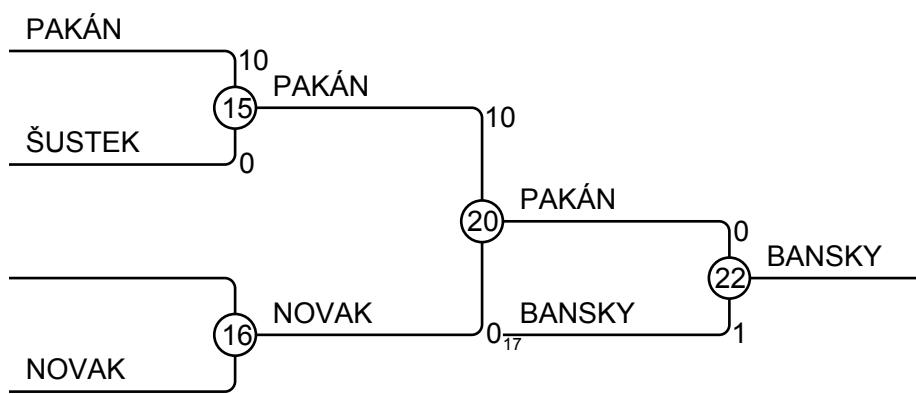
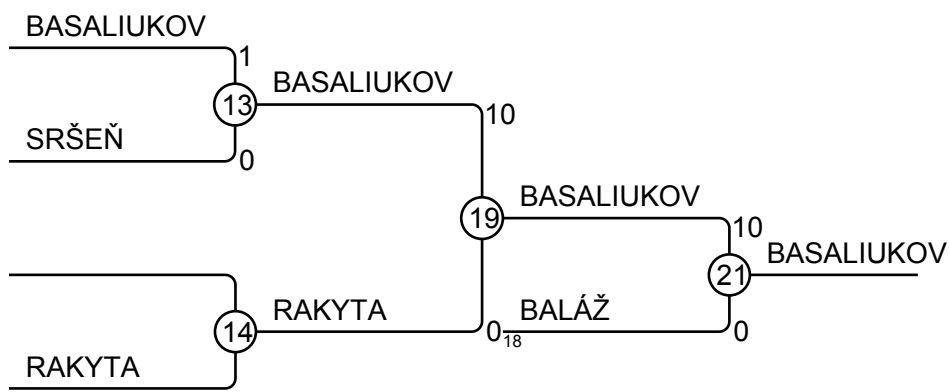
GRAND PRIX 28.02-01.03.2015 BANSKA BYSTRICA MU18-5

Competitors: 11



Results

Pos	Name
1	DALIBOR DURCO, DUKLA BB
2	David ŠATÁNEK, JC Železo Hranice
3	Vladislav BASALIUKOV, Slávia STU BA
3	BRUNO BANSKY, DUKLA BB
5	Kevin BALÁŽ, JK KATSUDO LUČENEC
5	Matej PAKÁN, ŠK Zemplín MI
7	ERIK RAKYTA, JC ZTS MARTIN
7	KAMIL NOVAK, Judoclub Liberec



GRAND PRIX 28.02-01.03.2015 BANSKA BYSTRICA MU18-6

Competitors: 7

Competitors A

#	Name	Grade	Club	1	2	3	4	Wins	Pts	Pos
1	Marek MAN (59,64)	?	JK Jablonec n. N.		10		10	2	20	2
2	Branislav HORVÁTH (56,64)	?	DK SNV					0	0	4
3	Daniel MLYNARIČ (58,98)	?	JC Bardejov	10	10		10	3	30	1
4	Matyáš SOBOTA (59,56)	?	JK Jablonec n. N.		10			1	10	3

Matches A

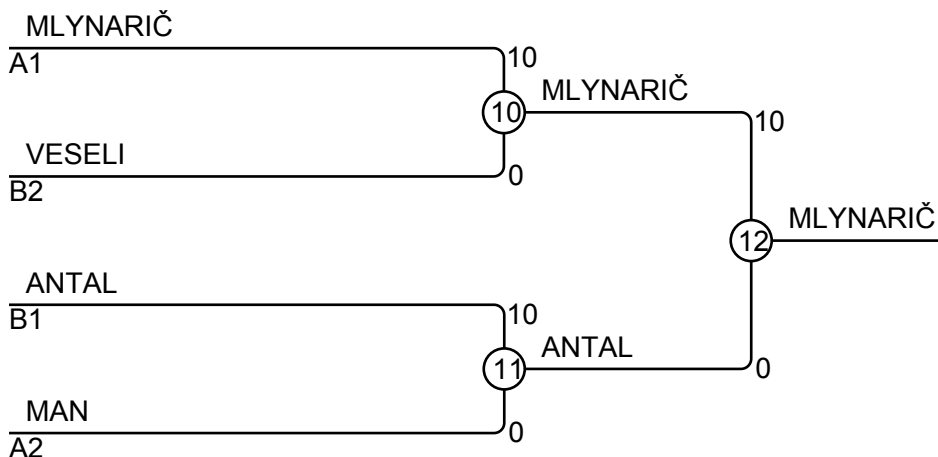
Match	White	Blue	Result	Time
1	Marek MAN	1 2 Branislav HORVÁTH	10 - 0	2:17
2	Daniel MLYNARIČ	3 4 Matyáš SOBOTA	10 - 0	0:37
4	Marek MAN	1 3 Daniel MLYNARIČ	0 - 10	2:16
5	Branislav HORVÁTH	2 4 Matyáš SOBOTA	0 - 10	0:25
7	Marek MAN	1 4 Matyáš SOBOTA	10 - 0	3:21
8	Branislav HORVÁTH	2 3 Daniel MLYNARIČ	0 - 10	1:07

Competitors B

#	Name	Grade	Club	5	6	7	Wins	Pts	Pos
5	MAREK POLACEK (56,40)	?	DUKLA BB				0	0	3
6	ARI VESELI (59,86)	?	POLICI PRISTINA	10			1	10	2
7	Juraj ANTAL (60,20)	?	TJ Mladost' RS	10	10		2	20	1

Matches B

Match	White	Blue	Result	Time
3	MAREK POLACEK	5 6 ARI VESELI	0 - 10	1:05
6	MAREK POLACEK	5 7 Juraj ANTAL	0 - 10	1:27
9	ARI VESELI	6 7 Juraj ANTAL	0 - 10	2:25

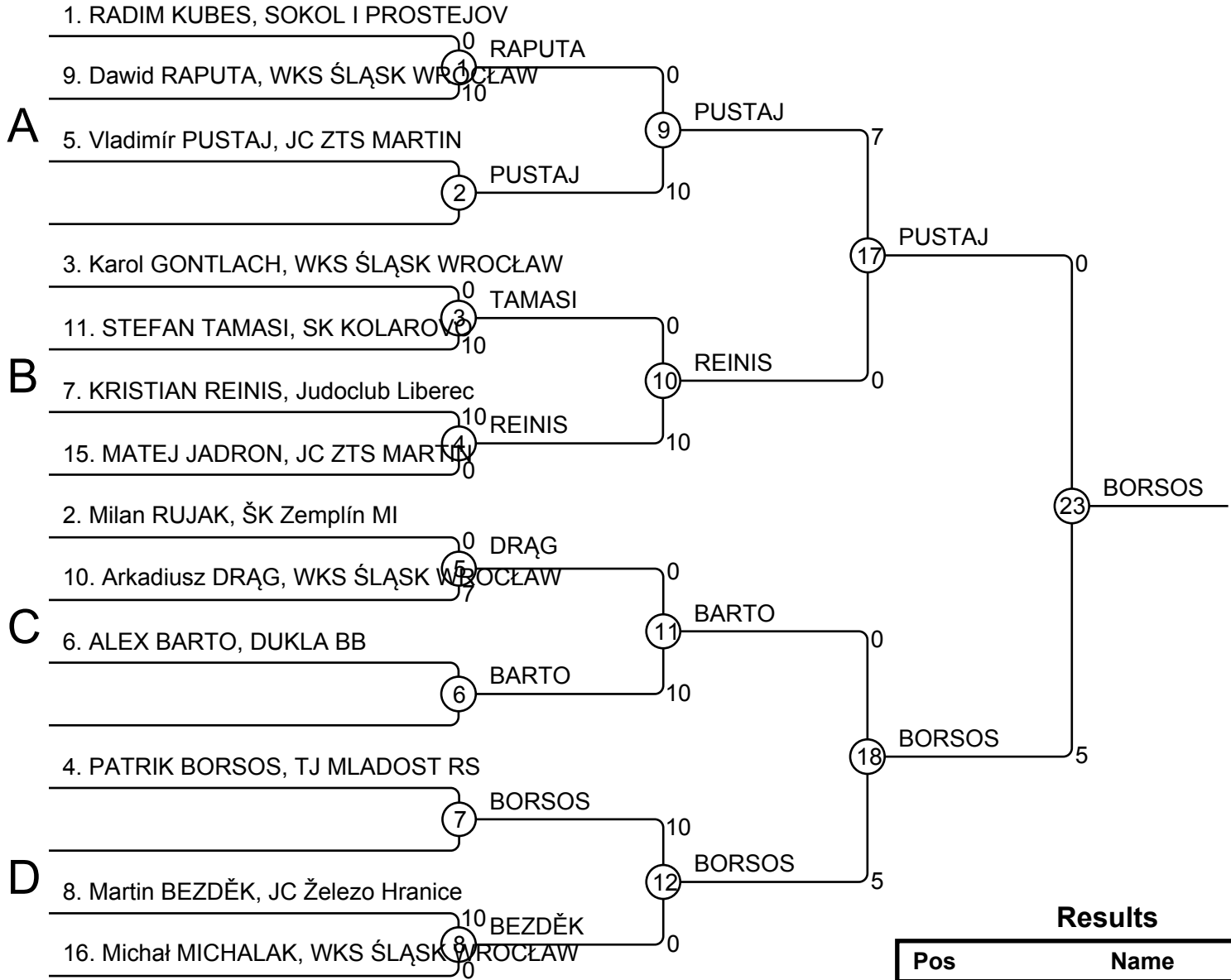


Results

Pos	Name
1	Daniel MLYNARIČ, JC Bardejov
2	Juraj ANTAL, TJ Mladost' RS
3	ARI VESELI, POLICI PRISTINA
3	Marek MAN, JK Jablonec n. N.

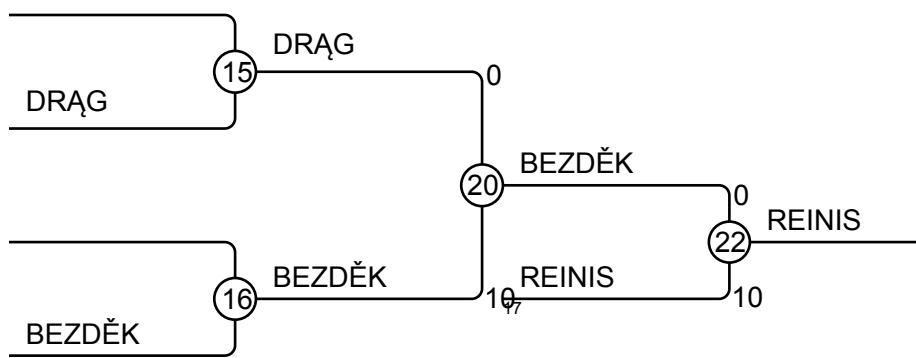
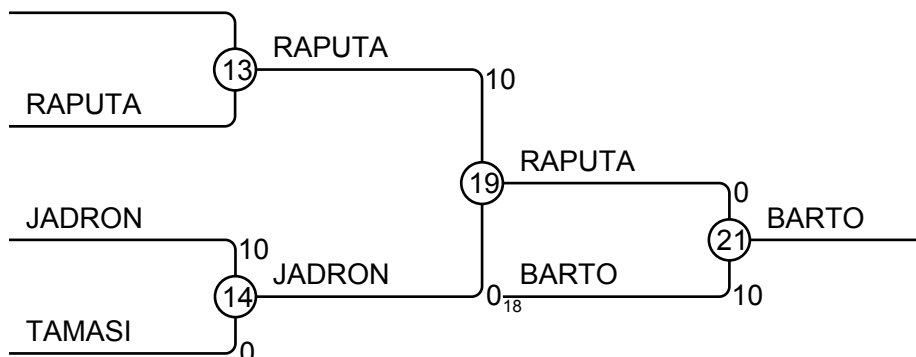
GRAND PRIX 28.02-01.03.2015 BANSKA BYSTRICA MU18-6

Competitors: 13



Results

Pos	Name
1	PATRIK BORSOS, TJ MLADOST RS
2	Vladimír PUSTAJ, JC ZTS MARTIN
3	ALEX BARTO, DUKLA BB
3	KRISTIAN REINIS, Judoclub Liberec
5	Dawid RAPUTA, WKS ŚLĄSK WROCLAW
5	Martin BEZDĚK, JC Železo Hranice
7	MATEJ JADRON, JC ZTS MARTIN
7	Arkadiusz DRĄG, WKS ŚLĄSK WROCLAW



GRAND PRIX 28.02-01.03.2015 BANSKA BYSTRICA MU18-7

Competitors: 5

Competitors

#	Name	Grade	Club	1	2	3	4	5	Wins	Pts	Pos
1	ZSOLT SZEPE (73,05)	?	SK KOLAROVO			10			1	10	4
2	Mateusz DŁUŻNIAK (71,70)	?	WKS ŚLĄSK WROCŁAW	10		5			2	15	3
3	Dawid ŁATA (69,85)	?	WKS ŚLĄSK WROCŁAW						0	0	5
4	Michal ŠMIDA (73,20)	?	Slávia STU BA	10	10	10		10	4	40	1
5	Štefan GÁBOR (73,00)	?	Slávia STU BA	10	10	10			3	30	2

Matches

Match	White			Blue	Result	Time
1	Michal ŠMIDA	4	5	Štefan GÁBOR	10 - 0	3:46
2	ZSOLT SZEPE	1	2	Mateusz DŁUŻNIAK	0 - 10	1:59
3	Dawid ŁATA	3	4	Michal ŠMIDA	0 - 10	0:12
4	ZSOLT SZEPE	1	5	Štefan GÁBOR	0 - 10	0:53
5	Mateusz DŁUŻNIAK	2	3	Dawid ŁATA	5 - 0	4:00
6	ZSOLT SZEPE	1	4	Michal ŠMIDA	0 - 10	1:21
7	Dawid ŁATA	3	5	Štefan GÁBOR	0 - 10	1:00
8	Mateusz DŁUŻNIAK	2	4	Michal ŠMIDA	0 - 10	1:58
9	ZSOLT SZEPE	1	3	Dawid ŁATA	10 - 0	3:39
10	Mateusz DŁUŻNIAK	2	5	Štefan GÁBOR	0 - 10	2:09

Results

Pos	Name
1	Michal ŠMIDA, Slávia STU BA
2	Štefan GÁBOR, Slávia STU BA
3	Mateusz DŁUŻNIAK, WKS ŚLĄSK WROCŁAW
4	ZSOLT SZEPE, SK KOLAROVO
5	Dawid ŁATA, WKS ŚLĄSK WROCŁAW

GRAND PRIX 28.02-01.03.2015 BANSKA BYSTRICA MU18-8

Competitors: 4

Competitors

#	Name	Grade	Club	1	2	3	4	Wins	Pts	Pos
1	Marek JAKLOVSKÝ (79,65)	?	JC ZTS MARTIN		1		10	2	11	2
2	Valentín KRIGOVSKÝ (80,70)	?	TJ Slávia PU Prešov				10	1	10	3
3	MARIUS FIZEL (80,55)	?	DUKLA BB	10	10		10	3	30	1
4	David VRBA (79,40)	?	ŠK UMB BB					0	0	4

Matches

Match	White			Blue	Result	Time
1	Marek JAKLOVSKÝ	1	2	Valentín KRIGOVSKÝ	1 - 0	4:32
2	MARIUS FIZEL	3	4	David VRBA	10 - 0	0:15
3	Marek JAKLOVSKÝ	1	3	MARIUS FIZEL	0 - 10	0:58
4	Valentín KRIGOVSKÝ	2	4	David VRBA	10 - 0	0:08
5	Marek JAKLOVSKÝ	1	4	David VRBA	10 - 0	0:34
6	Valentín KRIGOVSKÝ	2	3	MARIUS FIZEL	0 - 10	0:19

Results

Pos	Name
1	MARIUS FIZEL, DUKLA BB
2	Marek JAKLOVSKÝ, JC ZTS MARTIN
3	Valentín KRIGOVSKÝ, TJ Slávia PU Prešov
4	David VRBA, ŠK UMB BB

GRAND PRIX 28.02-01.03.2015 BANSKA BYSTRICA MU18-9

Competitors: 3

Competitors

#	Name	Grade	Club	1	2	3	Wins	Pts	Pos
1	Rastislav SOBKULIAK (86,95)	?	JC ZTS MARTIN			10	1	10	2
2	LUKAS KURAK (89,20)	?	JUNIOR LC	10		10	2	20	1
3	Grzegorz KORDYALIK (87,30)	?	WKS ŚLĄSK WROCŁAW				0	0	3

Matches

Match	White			Blue	Result	Time
1	Rastislav SOBKULIAK	1	2	LUKAS KURAK	0 - 10	2:36
2	Rastislav SOBKULIAK	1	3	Grzegorz KORDYALIK	10 - 0	0:25
3	LUKAS KURAK	2	3	Grzegorz KORDYALIK	10 - 0	0:54

Results

Pos	Name
1	LUKAS KURAK, JUNIOR LC
2	Rastislav SOBKULIAK, JC ZTS MARTIN
3	Grzegorz KORDYALIK, WKS ŚLĄSK WROCŁAW

GRAND PRIX 28.02-01.03.2015 BANSKA BYSTRICA MU18+9

Competitors: 2

Competitors

#	Name	Grade	Club	1	2	1	2	1	2	Wins	Pts	Pos
1	Ivan HLOBEJ (114,55)	?	JC ZTS MARTIN		10		10			2	20	1
2	LUBOMIR STROMKO (97,90)	?	JC ZTS MARTIN							0	0	2

Matches

Match	White			Blue	Result	Time
1	Ivan HLOBEJ	1	2	LUBOMIR STROMKO	10 - 0	0:40
2	Ivan HLOBEJ	1	2	LUBOMIR STROMKO	10 - 0	0:50
3	Ivan HLOBEJ	1	2	LUBOMIR STROMKO		

Results

Pos	Name
1	Ivan HLOBEJ, JC ZTS MARTIN
2	LUBOMIR STROMKO, JC ZTS MARTIN