

XLVI MVC 25.06.2015 MICHALOVCE FU9-C1

Competitors: 5

Competitors

#	Name	Grade	Club	1	2	3	4	5	Wins	Pts	Pos
1	PAVLÍNA ĽUPTÁKOVÁ	?	JK KATSUDO LC		10	10	10	5	4	35	1
2	ZSÓFIA NAGY	?	MISKOLC						0	0	5
3	Héra FERENCI	?	Domasek		10			10	2	20	3
4	LAURA DRUGDOVÁ	?	JUNIOR LC		10	10		10	3	30	2
5	NINA DRUGDOVÁ	?	JUNIOR LC		10				1	10	4

Matches

Match	White		Blue		Result	Time
1	LAURA DRUGDOVÁ	4	5	NINA DRUGDOVÁ	10 - 0	1:54
2	PAVLÍNA ĽUPTÁKOVÁ	1	2	ZSÓFIA NAGY	10 - 0	0:24
3	Héra FERENCI	3	4	LAURA DRUGDOVÁ	0 - 10	1:18
4	PAVLÍNA ĽUPTÁKOVÁ	1	5	NINA DRUGDOVÁ	5 - 0	2:00
5	ZSÓFIA NAGY	2	3	Héra FERENCI	0 - 10	0:57
6	PAVLÍNA ĽUPTÁKOVÁ	1	4	LAURA DRUGDOVÁ	10 - 0	0:38
7	Héra FERENCI	3	5	NINA DRUGDOVÁ	10 - 0	0:49
8	ZSÓFIA NAGY	2	4	LAURA DRUGDOVÁ	0 - 10	0:56
9	PAVLÍNA ĽUPTÁKOVÁ	1	3	Héra FERENCI	10 - 0	1:58
10	ZSÓFIA NAGY	2	5	NINA DRUGDOVÁ	0 - 10	1:03

Results

Pos	Name
1	PAVLÍNA ĽUPTÁKOVÁ, JK KATSUDO LC
2	LAURA DRUGDOVÁ, JUNIOR LC
3	Héra FERENCI, Domasek
4	NINA DRUGDOVÁ, JUNIOR LC
5	ZSÓFIA NAGY, MISKOLC

XLVI MVC 25.06.2015 MICHALOVCE FU9-C2

Competitors: 2

Competitors

#	Name	Grade	Club	1	2	1	2	1	2	Wins	Pts	Pos
1	SABA KIACHURI	?	TJ MLADOST PP							0	0	2
2	NELLA SOFIE DEMČÁKOVÁ	?	ŠK ZEMPLÍN MI	10		10				2	20	1

Matches

Match	White			Blue	Result	Time
1	SABA KIACHURI	1	2	NELLA SOFIE DEMČÁKOVÁ	0 - 10	0:30
2	SABA KIACHURI	1	2	NELLA SOFIE DEMČÁKOVÁ	0 - 10	0:04
3	SABA KIACHURI	1	2	NELLA SOFIE DEMČÁKOVÁ		

Results

Pos	Name
1	NELLA SOFIE DEMČÁKOVÁ, ŠK ZEMPLÍN MI
2	SABA KIACHURI, TJ MLADOST PP

XLVI MVC 25.06.2015 MICHALOVCE FU9-D1

Competitors: 4

Competitors

#	Name	Grade	Club	1	2	3	4	Wins	Pts	Pos
1	AMÁLIE ŠČERBOVÁ	?	TJ JUDO OSTRAVA		10	10	10	3	30	1
2	NICOL VAVROVÁ	?	JC HRADEC KRALOVE			10		1	10	3
3	SOFIE HOZLÁROVÁ	?	ŠKP BANSKÁ BYSTRICA					0	0	4
4	TAMARA HUDAKOVA	?	JC BARDEJOV		5	10		2	15	2

Matches

Match	White			Blue	Result	Time
1	AMÁLIE ŠČERBOVÁ	1	2	NICOL VAVROVÁ	10 - 0	1:00
2	SOFIE HOZLÁROVÁ	3	4	TAMARA HUDAKOVA	0 - 10	0:25
3	AMÁLIE ŠČERBOVÁ	1	3	SOFIE HOZLÁROVÁ	10 - 0	0:20
4	NICOL VAVROVÁ	2	4	TAMARA HUDAKOVA	0 - 5	2:00
5	AMÁLIE ŠČERBOVÁ	1	4	TAMARA HUDAKOVA	10 - 0	0:13
6	NICOL VAVROVÁ	2	3	SOFIE HOZLÁROVÁ	10 - 0	0:22

Results

Pos	Name
1	AMÁLIE ŠČERBOVÁ, TJ JUDO OSTRAVA
2	TAMARA HUDAKOVA, JC BARDEJOV
3	NICOL VAVROVÁ, JC HRADEC KRALOVE
4	SOFIE HOZLÁROVÁ, ŠKP BANSKÁ BYSTRICA

XLVI MVC 25.06.2015 MICHALOVCE FU9-D2

Competitors: 3

Competitors

#	Name	Grade	Club	1	2	3	Wins	Pts	Pos
1	ILLES SZITA	?	MISKOLC		10	10	2	20	1
2	Héra FERENCI	?	Domasek				0	0	3
3	ZUZANA HAMBOROVA	?	DK SNV		10		1	10	2

Matches

Match	White			Blue	Result	Time
1	ILLES SZITA	1	2	Héra FERENCI	10 - 0	0:36
2	ILLES SZITA	1	3	ZUZANA HAMBOROVA	10 - 0	0:40
3	Héra FERENCI	2	3	ZUZANA HAMBOROVA	0 - 10	0:00

Results

Pos	Name
1	ILLES SZITA, MISKOLC
2	ZUZANA HAMBOROVA, DK SNV
3	Héra FERENCI, Domasek

XLVI MVC 25.06.2015 MICHALOVCE FU9-D3

Competitors: 2

Competitors

#	Name	Grade	Club	1	2	1	2	1	2	Wins	Pts	Pos
1	HANAH HANKOVA	?	JC BARDEJOV		10		10			2	20	1
2	LUCIE ZACHARIAŠOVÁ	?	JC HRADEC KRALOVE							0	0	2

Matches

Match	White			Blue	Result	Time
1	HANAH HANKOVA	1	2	LUCIE ZACHARIAŠOVÁ	10 - 0	1:18
2	HANAH HANKOVA	1	2	LUCIE ZACHARIAŠOVÁ	10 - 0	1:01
3	HANAH HANKOVA	1	2	LUCIE ZACHARIAŠOVÁ		

Results

Pos	Name
1	HANAH HANKOVA, JC BARDEJOV
2	LUCIE ZACHARIAŠOVÁ, JC HRADEC KRALOVE

XLVI MVC 25.06.2015 MICHALOVCE MU9-C1

Competitors: 2

Competitors

#	Name	Grade	Club	1	2	1	2	1	2	Wins	Pts	Pos
1	JÁN PAVLOVIČ	?	ŠK ZEMPLÍN MI		10		10			2	20	1
2	ENRICO LACIKA	?	DK SNV							0	0	2

Matches

Match	White			Blue	Result	Time
1	JÁN PAVLOVIČ	1	2	ENRICO LACIKA	10 - 0	0:23
2	JÁN PAVLOVIČ	1	2	ENRICO LACIKA	10 - 0	0:22
3	JÁN PAVLOVIČ	1	2	ENRICO LACIKA		

Results

Pos	Name
1	JÁN PAVLOVIČ , ŠK ZEMPLÍN MI
2	ENRICO LACIKA, DK SNV

XLVI MVC 25.06.2015 MICHALOVCE MU9-C2

Competitors: 4

Competitors

#	Name	Grade	Club	1	2	3	4	Wins	Pts	Pos
1	RASTISLAV ROHUN	?	ŠK ZEMPLÍN MI					0	0	4
2	ALEX KUŽMA	?	ŠK ZEMPLÍN MI	10		10	10	3	30	1
3	VOZARSKY TIMUR	?	JC BARDEJOV	10				1	10	3
4	SILVIO LACIKA	?	DK SNV	10		10		2	20	2

Matches

Match	White			Blue	Result	Time
1	RASTISLAV ROHUN	1	2	ALEX KUŽMA	0 - 10	0:23
2	VOZARSKY TIMUR	3	4	SILVIO LACIKA	0 - 10	0:40
3	RASTISLAV ROHUN	1	3	VOZARSKY TIMUR	0 - 10	1:42
4	ALEX KUŽMA	2	4	SILVIO LACIKA	10 - 0	1:23
5	RASTISLAV ROHUN	1	4	SILVIO LACIKA	0 - 10	0:18
6	ALEX KUŽMA	2	3	VOZARSKY TIMUR	10 - 0	0:25

Results

Pos	Name
1	ALEX KUŽMA, ŠK ZEMPLÍN MI
2	SILVIO LACIKA, DK SNV
3	VOZARSKY TIMUR, JC BARDEJOV
4	RASTISLAV ROHUN, ŠK ZEMPLÍN MI

XLVI MVC 25.06.2015 MICHALOVCE MU9-C3

Competitors: 3

Competitors

#	Name	Grade	Club	1	2	3	Wins	Pts	Pos
1	REMUS ISENI	?	TJ MLADOST PP				0	0	3
2	ATTILA KUŽMA	?	ŠK ZEMPLÍN MI	10		10	2	20	1
3	CIMBOLAS TIMAS	?	ALYTUS	7			1	7	2

Matches

Match	White			Blue	Result	Time
1	REMUS ISENI	1	2	ATTILA KUŽMA	0 - 10	1:03
2	REMUS ISENI	1	3	CIMBOLAS TIMAS	0 - 7	2:00
3	ATTILA KUŽMA	2	3	CIMBOLAS TIMAS	10 - 0	0:26

Results

Pos	Name
1	ATTILA KUŽMA, ŠK ZEMPLÍN MI
2	CIMBOLAS TIMAS, ALYTUS
3	REMUS ISENI, TJ MLADOST PP

XLVI MVC 25.06.2015 MICHALOVCE MU9-C4

Competitors: 3

Competitors

#	Name	Grade	Club	1	2	3	Wins	Pts	Pos
1	MAKSIM DŽADOŇ	?	TJ MLADOST PP		10		1	10	2
2	SAMUEL KOPČÍK	?	ŠK ZEMPLÍN MI				0	0	3
3	ILARIIA TSURKAN	?	EUROPA ODESSA	5	10		2	15	1

Matches

Match	White			Blue	Result	Time
1	MAKSIM DŽADOŇ	1	2	SAMUEL KOPČÍK	10 - 0	0:05
2	MAKSIM DŽADOŇ	1	3	ILARIIA TSURKAN	0 - 5	2:00
3	SAMUEL KOPČÍK	2	3	ILARIIA TSURKAN	0 - 10	0:25

Results

Pos	Name
1	ILARIIA TSURKAN, EUROPA ODESSA
2	MAKSIM DŽADOŇ, TJ MLADOST PP
3	SAMUEL KOPČÍK, ŠK ZEMPLÍN MI

XLVI MVC 25.06.2015 MICHALOVCE MU9-D1

Competitors: 4

Competitors

#	Name	Grade	Club	1	2	3	4	Wins	Pts	Pos
1	MAREK MACEJKA	?	1.JK PEZINOK		10	10	10	3	30	1
2	RICHARD MIŠKO	?	TJ MLADOST PP					0	0	4
3	VáCLAV BEČKA	?	TJ JUDO OSTRAVA		10		10	2	20	2
4	JAN JAKUBEC	?	SKP NOVY BYDZOV		10			1	10	3

Matches

Match	White			Blue	Result	Time
1	MAREK MACEJKA	1	2	RICHARD MIŠKO	10 - 0	0:54
2	VáCLAV BEČKA	3	4	JAN JAKUBEC	10 - 0	1:43
3	MAREK MACEJKA	1	3	VáCLAV BEČKA	10 - 0	1:04
4	RICHARD MIŠKO	2	4	JAN JAKUBEC	0 - 10	1:20
5	MAREK MACEJKA	1	4	JAN JAKUBEC	10 - 0	0:57
6	RICHARD MIŠKO	2	3	VáCLAV BEČKA	0 - 10	0:54

Results

Pos	Name
1	MAREK MACEJKA, 1.JK PEZINOK
2	VáCLAV BEČKA, TJ JUDO OSTRAVA
3	JAN JAKUBEC, SKP NOVY BYDZOV
4	RICHARD MIŠKO, TJ MLADOST PP

XLVI MVC 25.06.2015 MICHALOVCE MU9-D2

Competitors: 3

Competitors

#	Name	Grade	Club	1	2	3	Wins	Pts	Pos
1	Martin ZVARA	?	Mladost' RS		10	5	2	15	1
2	MAREK ZEC	?	JUDO KOŠICE				0	0	3
3	DALIBOR ŽIDEK	?	FRYDEK-MISTEK		10		1	10	2

Matches

Match	White			Blue	Result	Time
1	Martin ZVARA	1	2	MAREK ZEC	10 - 0	0:21
2	Martin ZVARA	1	3	DALIBOR ŽIDEK	5 - 0	2:00
3	MAREK ZEC	2	3	DALIBOR ŽIDEK	0 - 10	0:10

Results

Pos	Name
1	Martin ZVARA, Mladost' RS
2	DALIBOR ŽIDEK, FRYDEK-MISTEK
3	MAREK ZEC, JUDO KOŠICE

XLVI MVC 25.06.2015 MICHALOVCE MU9-D3

Competitors: 3

Competitors

#	Name	Grade	Club	1	2	3	Wins	Pts	Pos
1	Sebastián ZÁVADSKÝ	?	Mladost' RS		10	10	2	20	1
2	MARTIN MYSICKA	?	DK SNV			10	1	10	2
3	ALEXEJ PĽAVČAN	?	TJ MLADOST PP				0	0	3

Matches

Match	White			Blue	Result	Time
1	Sebastián ZÁVADSKÝ	1	2	MARTIN MYSICKA	10 - 0	1:58
2	Sebastián ZÁVADSKÝ	1	3	ALEXEJ PĽAVČAN	10 - 0	0:22
3	MARTIN MYSICKA	2	3	ALEXEJ PĽAVČAN	10 - 0	0:36

Results

Pos	Name
1	Sebastián ZÁVADSKÝ, Mladost' RS
2	MARTIN MYSICKA, DK SNV
3	ALEXEJ PĽAVČAN, TJ MLADOST PP

XLVI MVC 25.06.2015 MICHALOVCE MU9-D4

Competitors: 3

Competitors

#	Name	Grade	Club	1	2	3	Wins	Pts	Pos
1	BRUNO OVČÍK	?	JK SPARTA PB		10		1	10	2
2	MARTIN KVASNICA	?	TJ MLADOST PP				0	0	3
3	NAZAR BEZUSHKA	?	UZHOROD2	10	10		2	20	1

Matches

Match	White			Blue	Result	Time
1	BRUNO OVČÍK	1	2	MARTIN KVASNICA	10 - 0	0:26
2	BRUNO OVČÍK	1	3	NAZAR BEZUSHKA	0 - 10	1:02
3	MARTIN KVASNICA	2	3	NAZAR BEZUSHKA	0 - 10	0:53

Results

Pos	Name
1	NAZAR BEZUSHKA, UZHOROD2
2	BRUNO OVČÍK, JK SPARTA PB
3	MARTIN KVASNICA, TJ MLADOST PP

XLVI MVC 25.06.2015 MICHALOVCE MU9-D5

Competitors: 2

Competitors

#	Name	Grade	Club	1	2	1	2	1	2	Wins	Pts	Pos
1	NICOLAS ONCICA	?	CSS UNIREA IASI		10		10			2	20	1
2	FILIP URBAN	?	DK SNV							0	0	2

Matches

Match	White			Blue	Result	Time
1	NICOLAS ONCICA	1	2	FILIP URBAN	10 - 0	0:50
2	NICOLAS ONCICA	1	2	FILIP URBAN	10 - 0	0:55
3	NICOLAS ONCICA	1	2	FILIP URBAN		

Results

Pos	Name
1	NICOLAS ONCICA, CSS UNIREA IASI
2	FILIP URBAN, DK SNV

XLVI MVC 25.06.2015 MICHALOVCE FU11-24

Competitors: 4

Competitors

#	Name	Grade	Club	1	2	3	4	Wins	Pts	Pos
1	Ema HUBLEROVÁ	?	MŠK Vranov n. T.					0	0	4
2	PETRA POLIAKOVÁ	?	TJ MLADOST PP	10				1	10	3
3	HANA BEDNAROVA	?	JC HRADEC KRALOVE	10	1		10	3	21	1
4	KRISTÍNA KRIŽOVÁ	?	JK KATSUDO LC	10	10			2	20	2

Matches

Match	White			Blue	Result	Time
1	Ema HUBLEROVÁ	1	2	PETRA POLIAKOVÁ	0 - 10	0:29
2	HANA BEDNAROVA	3	4	KRISTÍNA KRIŽOVÁ	10 - 0	0:25
3	Ema HUBLEROVÁ	1	3	HANA BEDNAROVA	0 - 10	0:50
4	PETRA POLIAKOVÁ	2	4	KRISTÍNA KRIŽOVÁ	0 - 10	0:52
5	Ema HUBLEROVÁ	1	4	KRISTÍNA KRIŽOVÁ	0 - 10	0:46
6	PETRA POLIAKOVÁ	2	3	HANA BEDNAROVA	0 - 1	2:54

Results

Pos	Name
1	HANA BEDNAROVA, JC HRADEC KRALOVE
2	KRISTÍNA KRIŽOVÁ, JK KATSUDO LC
3	PETRA POLIAKOVÁ, TJ MLADOST PP
4	Ema HUBLEROVÁ, MŠK Vranov n. T.

XLVI MVC 25.06.2015 MICHALOVCE FU11-27

Competitors: 3

Competitors

#	Name	Grade	Club	1	2	3	Wins	Pts	Pos
1	MARTINA LUPTAKOVA	?	JK KATSUDO LC		10	10	2	20	1
2	EMMA MARKOVIČOVÁ	?	1.JK PEZINOK				0	0	3
3	Sába FERENCI	?	Domasek		10		1	10	2

Matches

Match	White			Blue	Result	Time
1	MARTINA LUPTAKOVA	1	2	EMMA MARKOVIČOVÁ	10 - 0	0:09
2	MARTINA LUPTAKOVA	1	3	Sába FERENCI	10 - 0	0:52
3	EMMA MARKOVIČOVÁ	2	3	Sába FERENCI	0 - 10	1:28

Results

Pos	Name
1	MARTINA LUPTAKOVA, JK KATSUDO LC
2	Sába FERENCI, Domasek
3	EMMA MARKOVIČOVÁ, 1.JK PEZINOK

XLVI MVC 25.06.2015 MICHALOVCE FU11-30

Competitors: 6

Competitors A

#	Name	Grade	Club	1	2	3	Wins	Pts	Pos
1	ELLA MARKOVIČOVÁ	?	1.JK PEZINOK			10	1	10	2
2	LUCIA LAZAROVA	?	SKP NOVY BYDZOV	5		1	2	6	1
3	OLGA HASNAČA	?	LIEPAJAS KSS				0	0	3

Matches A

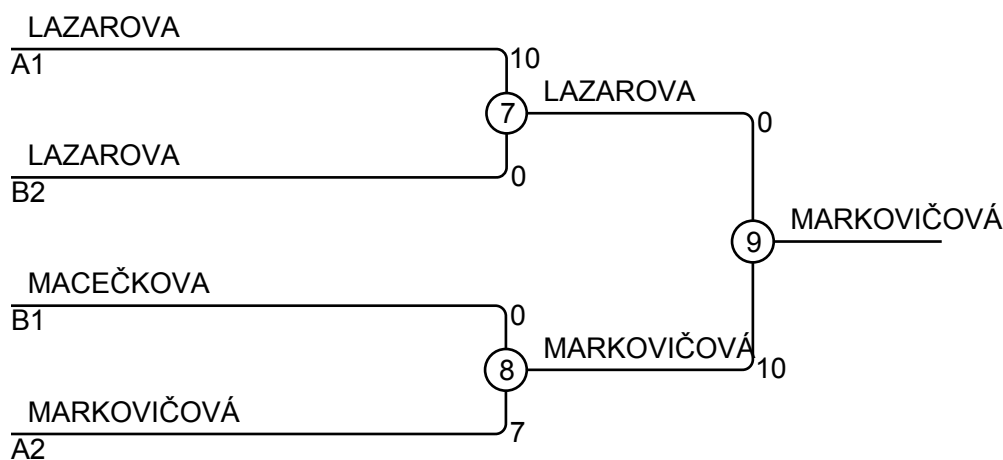
Match	White	Grade	Blue	Result	Time	
1	ELLA MARKOVIČOVÁ	1	2	LUCIA LAZAROVA	0 - 5	2:00
3	ELLA MARKOVIČOVÁ	1	3	OLGA HASNAČA	10 - 0	1:49
5	LUCIA LAZAROVA	2	3	OLGA HASNAČA	1 - 0	2:00

Competitors B

#	Name	Grade	Club	4	5	6	Wins	Pts	Pos
4	LENKA LAZAROVA	?	SKP NOVY BYDZOV			10	1	10	2
5	BOŽIDARA MACEČKOVA	?	JC BARDEJOV	5		10	2	15	1
6	MICHAELLA DRANČAKOVÁ	?	ŠK ZEMPLÍN MI				0	0	3

Matches B

Match	White	Grade	Blue	Result	Time	
2	LENKA LAZAROVA	4	5	BOŽIDARA MACEČKOVA	0 - 5	2:00
4	LENKA LAZAROVA	4	6	MICHAELLA DRANČAKOVÁ	10 - 0	0:21
6	BOŽIDARA MACEČKOVA	5	6	MICHAELLA DRANČAKOVÁ	10 - 0	0:58



Results

Pos	Name
1	ELLA MARKOVIČOVÁ, 1.JK PEZINOK
2	LUCIA LAZAROVA, SKP NOVY BYDZOV
3	LENKA LAZAROVA, SKP NOVY BYDZOV
3	BOŽIDARA MACEČKOVA, JC BARDEJOV

XLVI MVC 25.06.2015 MICHALOVCE FU11-34

Competitors: 5

Competitors

#	Name	Grade	Club	1	2	3	4	5	Wins	Pts	Pos
1	Sofia NYÍFOROVÁ	?	Mladost' RS						0	0	5
2	STANKA GRAPOVA	?	JUDO KOŠICE	5					1	5	4
3	LARA TRESTYÁNSZKI	?	MISKOLC	10	10			10	3	30	2
4	NINA HANZLÍKOVÁ	?	JUNIOR LC	1	1	10		7	4	19	1
5	LILLY PODHOROVÁ	?	JUNIOR LC	10	10				2	20	3

Matches

Match	White		Blue		Result	Time
1	NINA HANZLÍKOVÁ	4	5	LILLY PODHOROVÁ	7 - 0	2:00
2	Sofia NYÍFOROVÁ	1	2	STANKA GRAPOVA	0 - 5	2:00
3	LARA TRESTYÁNSZKI	3	4	NINA HANZLÍKOVÁ	0 - 10	0:42
4	Sofia NYÍFOROVÁ	1	5	LILLY PODHOROVÁ	0 - 10	1:07
5	STANKA GRAPOVA	2	3	LARA TRESTYÁNSZKI	0 - 10	1:25
6	Sofia NYÍFOROVÁ	1	4	NINA HANZLÍKOVÁ	0 - 1	2:24
7	LARA TRESTYÁNSZKI	3	5	LILLY PODHOROVÁ	10 - 0	1:15
8	STANKA GRAPOVA	2	4	NINA HANZLÍKOVÁ	0 - 1	2:52
9	Sofia NYÍFOROVÁ	1	3	LARA TRESTYÁNSZKI	0 - 10	0:09
10	STANKA GRAPOVA	2	5	LILLY PODHOROVÁ	0 - 10	0:59

Results

Pos	Name
1	NINA HANZLÍKOVÁ, JUNIOR LC
2	LARA TRESTYÁNSZKI, MISKOLC
3	LILLY PODHOROVÁ, JUNIOR LC
4	STANKA GRAPOVA, JUDO KOŠICE
5	Sofia NYÍFOROVÁ, Mladost' RS

XLVI MVC 25.06.2015 MICHALOVCE FU11-42

Competitors: 5

Competitors

#	Name	Grade	Club	1	2	3	4	5	Wins	Pts	Pos
1	NINA KOČKOVÁ	?	TJ SLÁVIA PU PO					7	1	7	4
2	KARMEN MEZOOVÁ	?	JUNIOR LC	10				10	2	20	3
3	LILIEN DEMETER	?	MISKOLC	10	10		10	10	4	40	1
4	DIANA FEKIAČOVÁ	?	JK KATSUDO LC	10	10			10	3	30	2
5	NADA NEUVIRTHOVA	?	DK SNV						0	0	5

Matches

Match	White	Blue	Result	Time
1	DIANA FEKIAČOVÁ 4 5	NADA NEUVIRTHOVA	10 - 0	0:15
2	NINA KOČKOVÁ 1 2	KARMEN MEZOOVÁ	0 - 10	1:21
3	LILIEN DEMETER 3 4	DIANA FEKIAČOVÁ	10 - 0	0:21
4	NINA KOČKOVÁ 1 5	NADA NEUVIRTHOVA	7 - 0	2:00
5	KARMEN MEZOOVÁ 2 3	LILIEN DEMETER	0 - 10	0:09
6	NINA KOČKOVÁ 1 4	DIANA FEKIAČOVÁ	0 - 10	0:10
7	LILIEN DEMETER 3 5	NADA NEUVIRTHOVA	10 - 0	0:04
8	KARMEN MEZOOVÁ 2 4	DIANA FEKIAČOVÁ	0 - 10	0:32
9	NINA KOČKOVÁ 1 3	LILIEN DEMETER	0 - 10	0:29
10	KARMEN MEZOOVÁ 2 5	NADA NEUVIRTHOVA	10 - 0	0:26

Results

Pos	Name
1	LILIEN DEMETER, MISKOLC
2	DIANA FEKIAČOVÁ, JK KATSUDO LC
3	KARMEN MEZOOVÁ, JUNIOR LC
4	NINA KOČKOVÁ, TJ SLÁVIA PU PO
5	NADA NEUVIRTHOVA, DK SNV

XLVI MVC 25.06.2015 MICHALOVCE MU11-24

Competitors: 3

Competitors

#	Name	Grade	Club	1	2	3	Wins	Pts	Pos
1	MARIAN HORVATH	?	JUDO KOŠICE				0	0	3
2	SIMON MATUŠKA	?	JK KATSUDO LC	10		7	2	17	1
3	TOMI WARMUŽ	?	TJ JUDO OSTRAVA	10			1	10	2

Matches

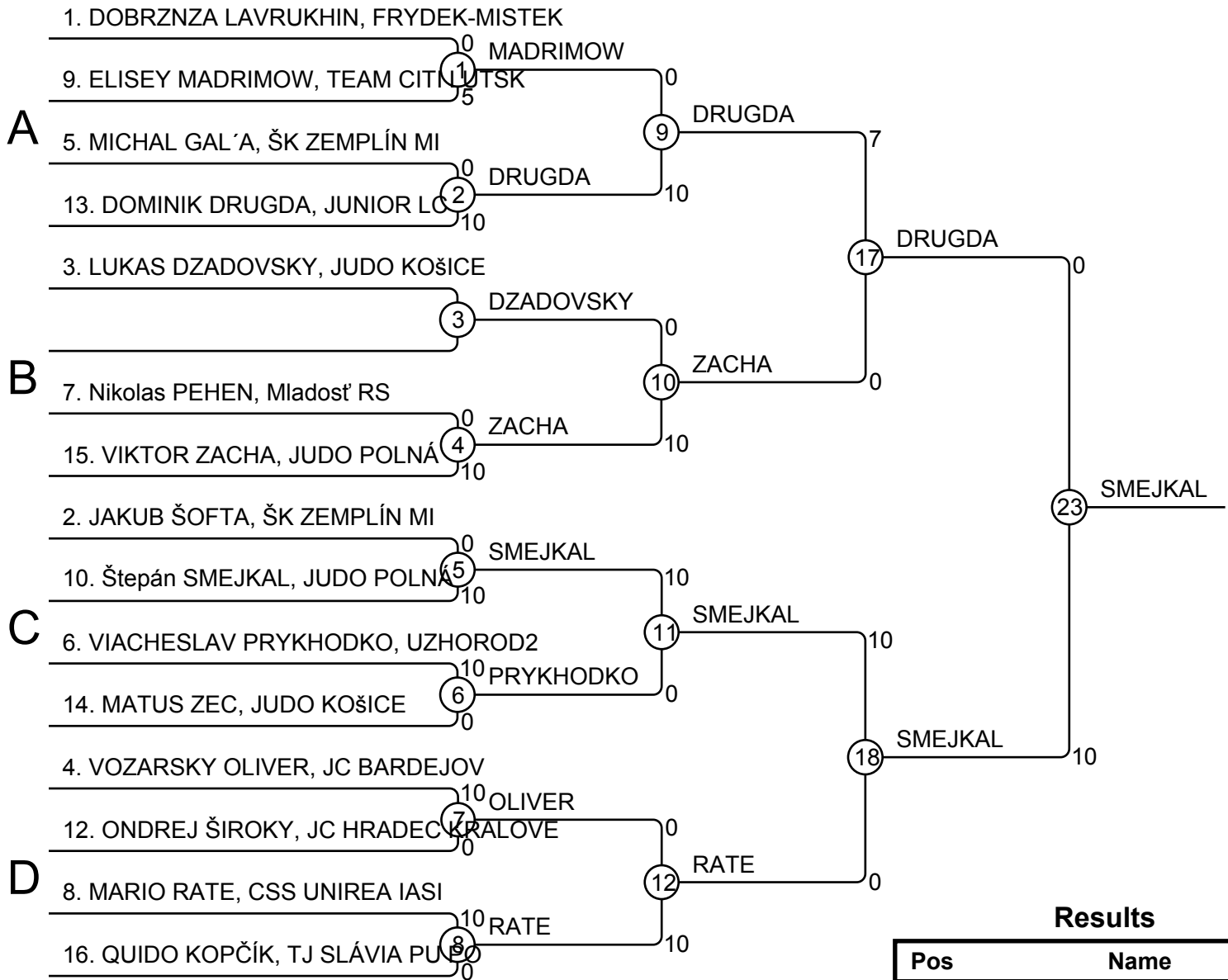
Match	White			Blue	Result	Time
1	MARIAN HORVATH	1	2	SIMON MATUŠKA	0 - 10	0:03
2	MARIAN HORVATH	1	3	TOMI WARMUŽ	0 - 10	0:27
3	SIMON MATUŠKA	2	3	TOMI WARMUŽ	7 - 0	1:48

Results

Pos	Name
1	SIMON MATUŠKA, JK KATSUDO LC
2	TOMI WARMUŽ, TJ JUDO OSTRAVA
3	MARIAN HORVATH, JUDO KOŠICE

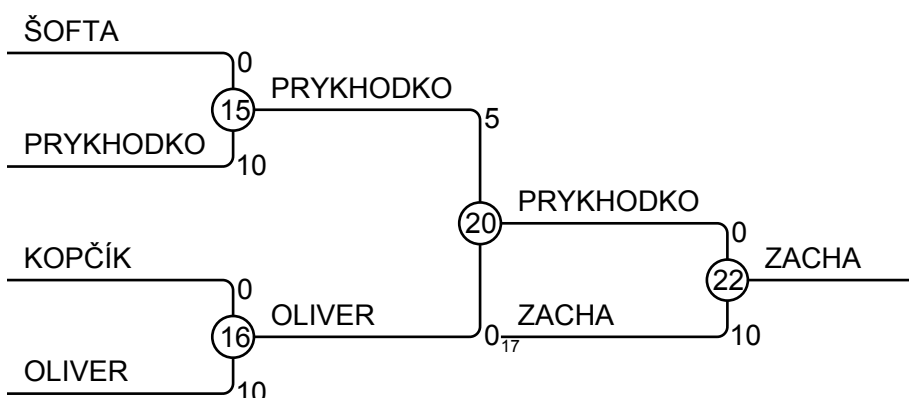
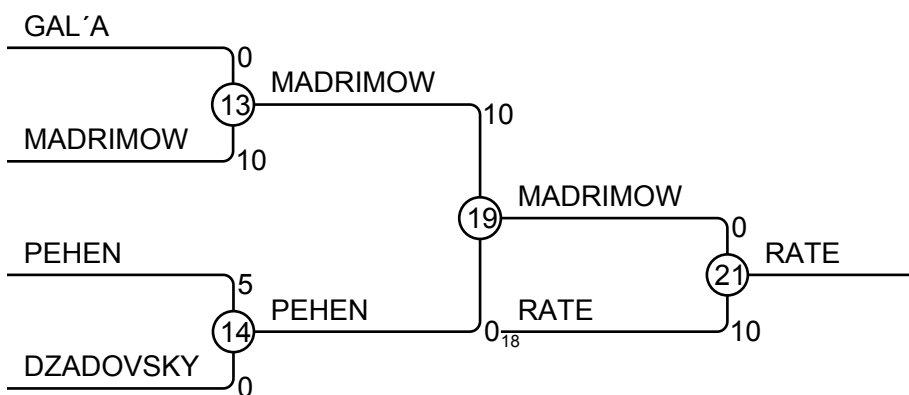
XLVI MVC 25.06.2015 MICHALOVCE MU11-27

Competitors: 15



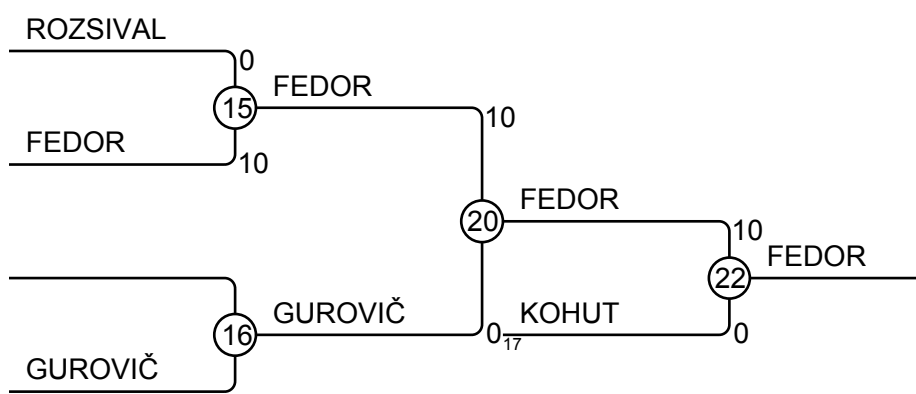
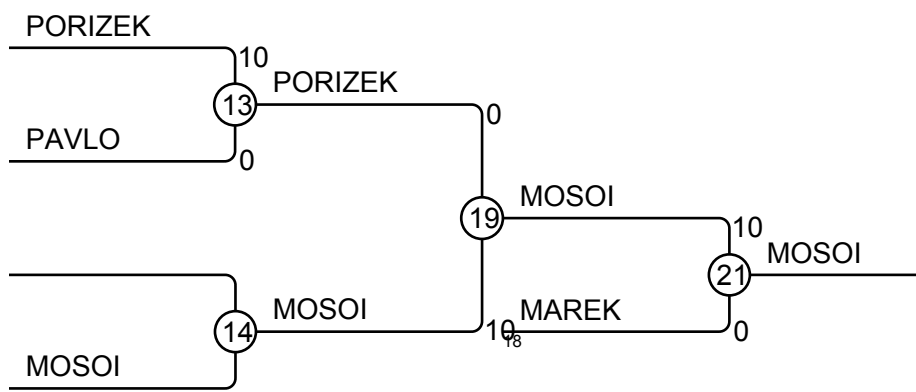
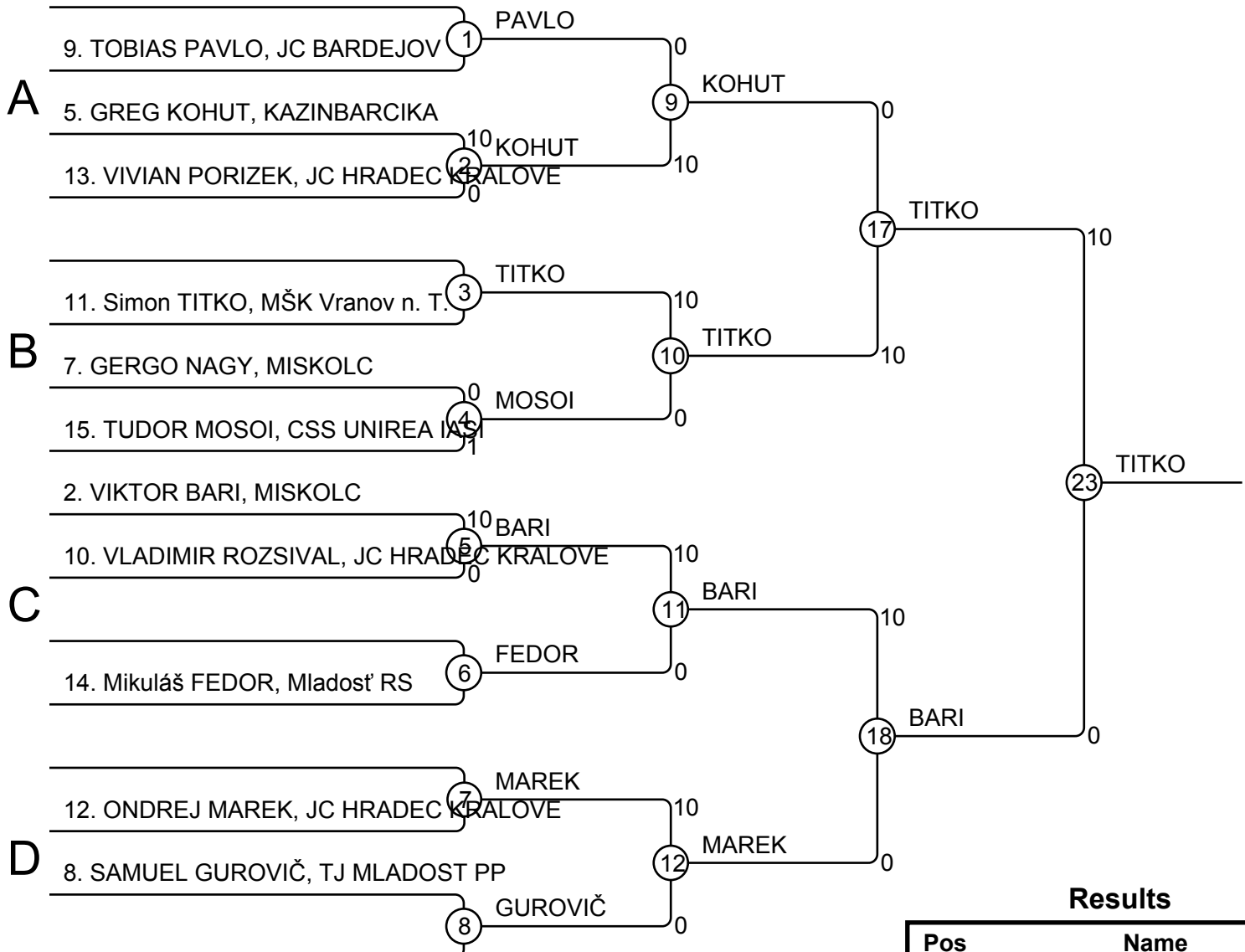
Results

Pos	Name
1	Štepán SMEJKAL, JUDO POLNÁ
2	DOMINIK DRUGDA, JUNIOR LC
3	MARIO RATE, CSS UNIREA IASI
3	VIKTOR ZACHA, JUDO POLNÁ
5	ELISEY MADRIMOW, TEAM CITI LUTSK
5	VIACHESLAV PRYKHODKO, UZHOROD2
7	Nikolas PEHEN, Mladost' RS
7	VOZARSKY OLIVER, JC BARDEJOV



XLVI MVC 25.06.2015 MICHALOVCE MU11-30

Competitors: 11

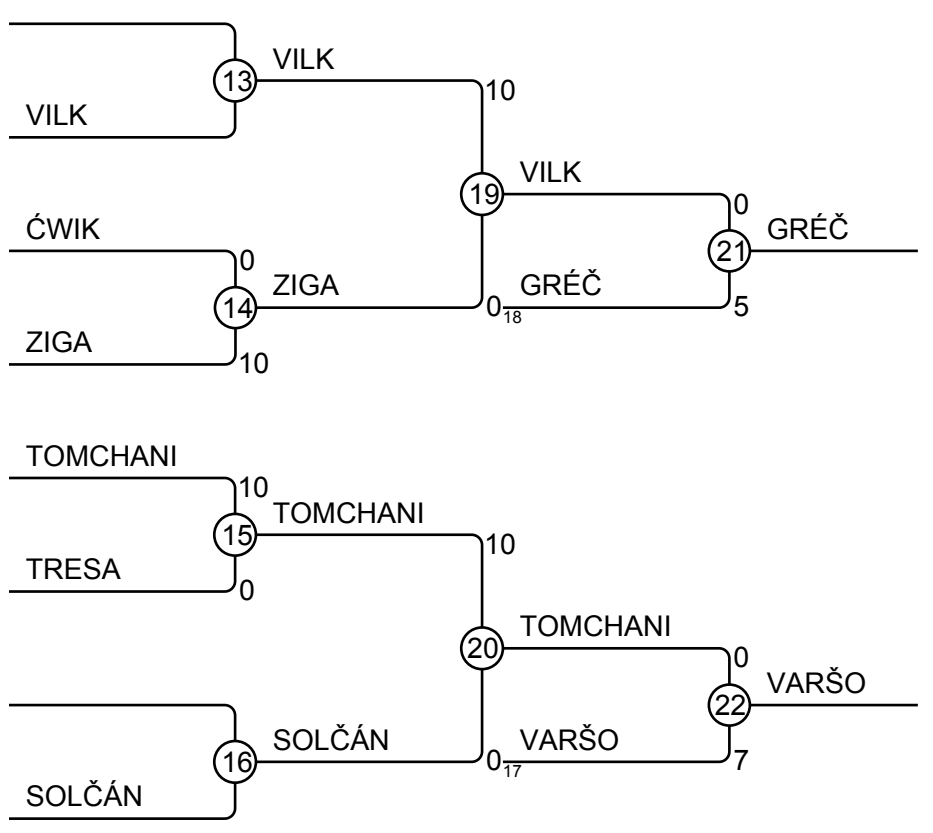
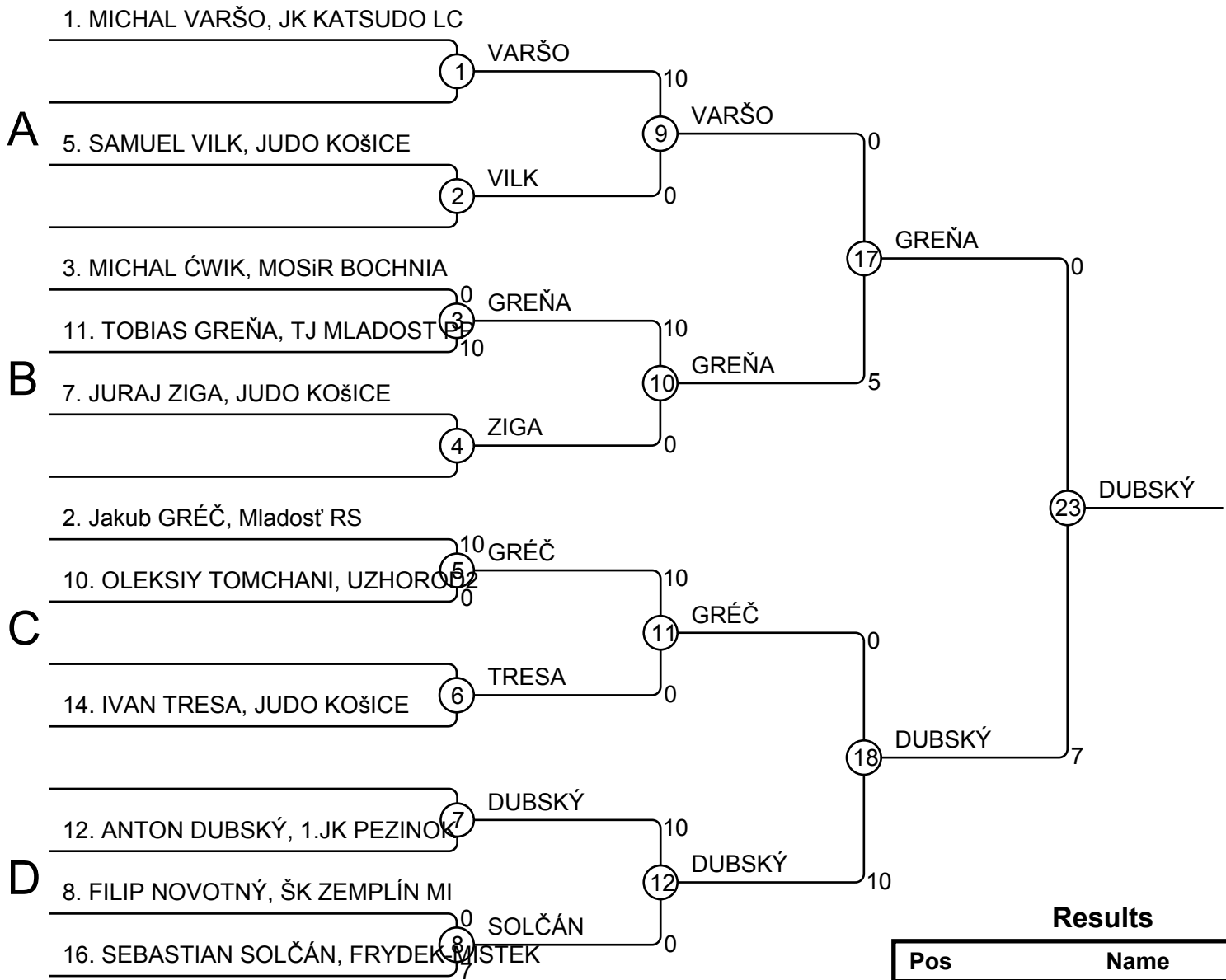


Results

Pos	Name
1	Simon TITKO, MŠK Vranov n. T.
2	VIKTOR BARI, MISKOLC
3	TUDOR MOSOI, CSS UNIREA IASI
3	Mikuláš FEDOR, Mladost' RS
5	ONDREJ MAREK, JC HRADEC KRALOVE
5	GREG KOHUT, KAZINBARCIKA
7	VIVIAN PORIZEK, JC HRADEC KRALOVE
7	SAMUEL GUROVIČ, TJ MLADOST PP

XLVI MVC 25.06.2015 MICHALOVCE MU11-34

Competitors: 11

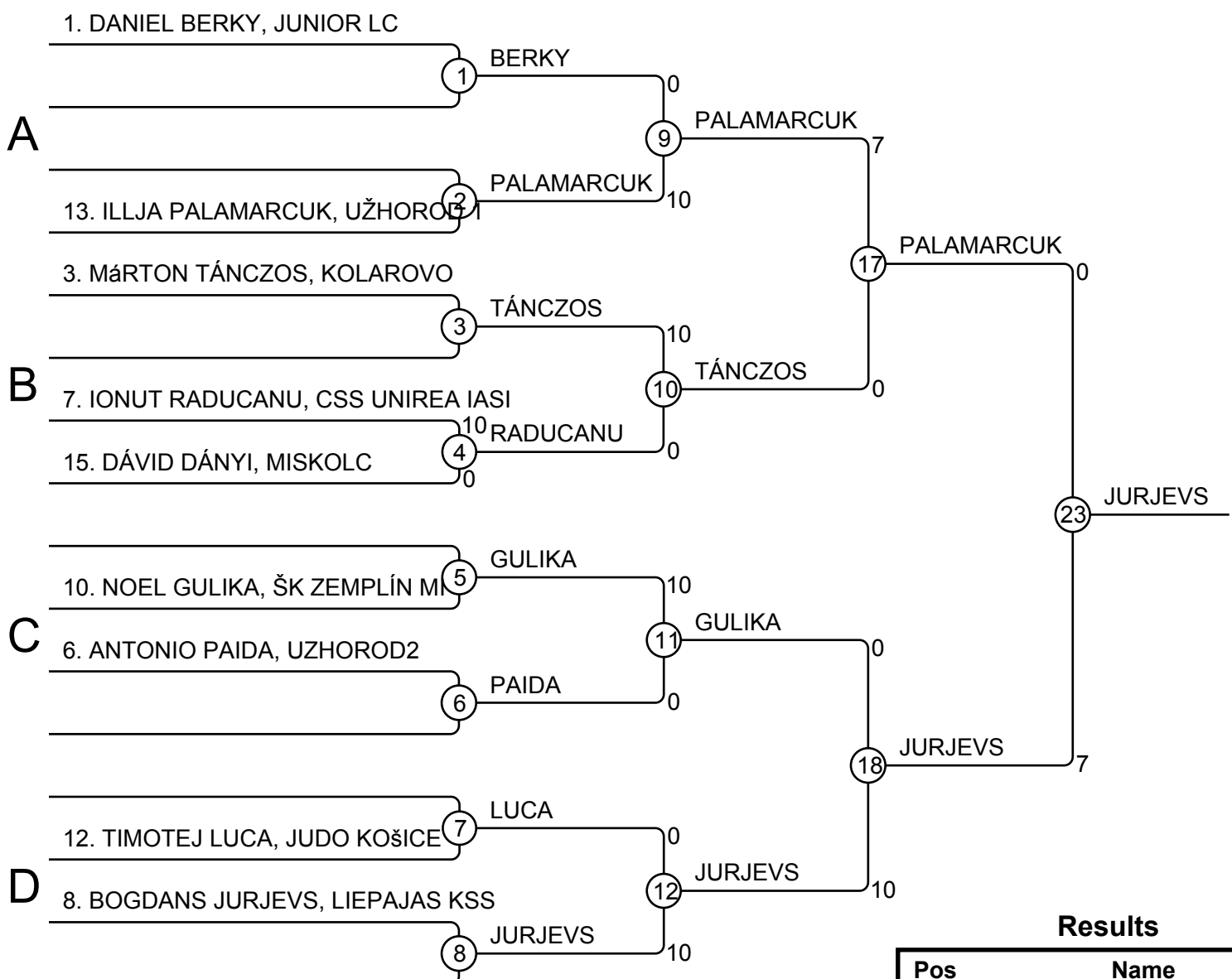


Results

Pos	Name
1	ANTON DUBSKÝ, 1.JK PEZINOK
2	TOBIAS GREŇA, TJ MLADOST' PP
3	Jakub GRÉČ, Mladost' RS
3	MICHAL VARŠO, JK KATSUDO LC
5	SAMUEL VILK, JUDO KOŠICE
5	OLEKSIY TOMCHANI, UZHOROD D2
7	JURAJ ZIGA, JUDO KOŠICE
7	SEBASTIAN SOLČÁN, FRYDEK-MIS

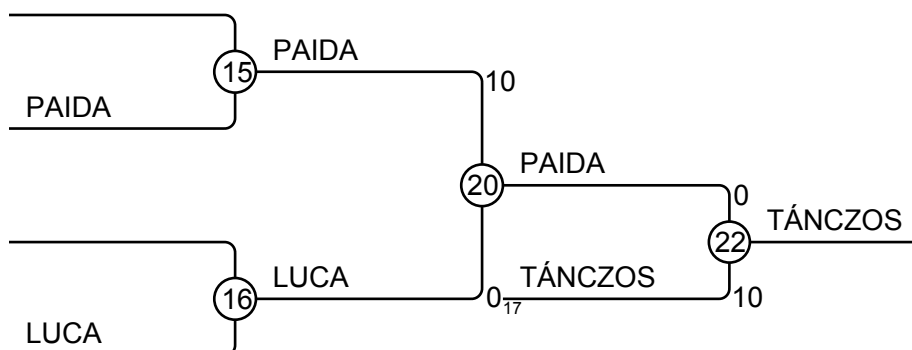
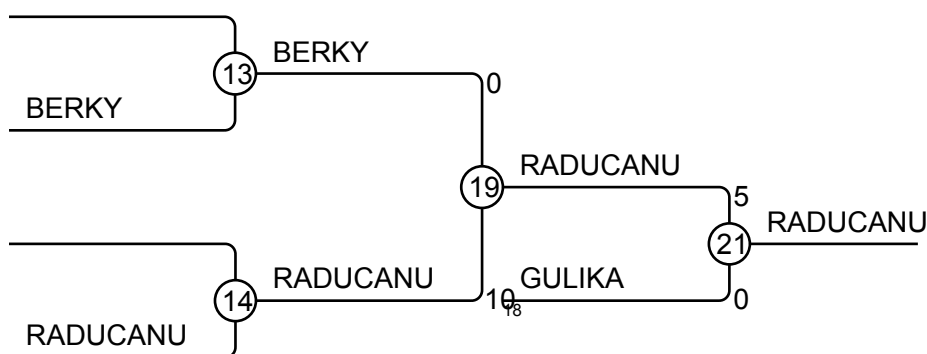
XLVI MVC 25.06.2015 MICHALOVCE MU11-38

Competitors: 9



Results

Pos	Name
1	BOGDANS JURJEVS, LIEPAJAS KS
2	ILLJA PALAMARCUK, UŽHOROD 1
3	IONUT RADUCANU, CSS UNIREA IA
3	MÁRTON TÁNCZOS, KOLAROVO
5	NOEL GULIKA, ŠK ZEMPLÍN MI
5	ANTONIO PAIDA, UZHOROD2
7	DANIEL BERKY, JUNIOR LC
7	TIMOTEJ LUCA, JUDO KOŠICE



XLVI MVC 25.06.2015 MICHALOVCE MU11-42

Competitors: 6

Competitors A

#	Name	Grade	Club	1	2	3	Wins	Pts	Pos
1	ADAM JELÍNEK	?	JUDO POLNÁ		10		1	10	2
2	ADAM GAZDA	?	ŠK ZEMPLÍN MI				0	0	3
3	TOMÁŠ POTUČEK	?	TJ JUDO OSTRAVA	10	10		2	20	1

Matches A

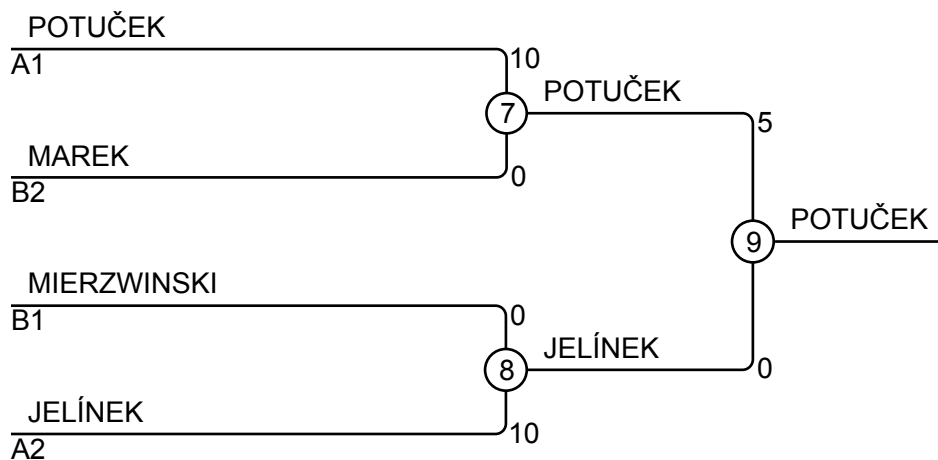
Match	White	Blue	Result	Time
1	ADAM JELÍNEK 1 2	ADAM GAZDA	10 - 0	0:22
3	ADAM JELÍNEK 1 3	TOMÁŠ POTUČEK	0 - 10	0:23
5	ADAM GAZDA 2 3	TOMÁŠ POTUČEK	0 - 10	0:33

Competitors B

#	Name	Grade	Club	4	5	6	Wins	Pts	Pos
4	JAKUB MAREK	?	JC HRADEC KRALOVE		10		1	10	2
5	PETER TOKAR	?	ŠK ZEMPLÍN MI				0	0	3
6	SZYMON MIERZWINSKI	?	MOSiR BOCHNIA	7	10		2	17	1

Matches B

Match	White	Blue	Result	Time
2	JAKUB MAREK 4 5	PETER TOKAR	10 - 0	1:50
4	JAKUB MAREK 4 6	SZYMON MIERZWINSKI	0 - 7	2:00
6	PETER TOKAR 5 6	SZYMON MIERZWINSKI	0 - 10	1:06



Results

Pos	Name
1	TOMÁŠ POTUČEK, TJ JUDO OSTRAVA
2	ADAM JELÍNEK, JUDO POLNÁ
3	JAKUB MAREK, JC HRADEC KRALOVE
3	SZYMON MIERZWINSKI, MOSiR BOCHNIA

XLVI MVC 25.06.2015 MICHALOVCE MU11-46

Competitors: 8

Competitors A

#	Name	Grade	Club	1	2	3	4	Wins	Pts	Pos
1	Lukáš ZVARA	?	Mladost' RS		10			1	10	3
2	SEBASTIAN STEFAN	?	CSS UNIREA IASI					0	0	4
3	Lukas BERNÁTH	?	Mladost' RS	10	10			2	20	2
4	JAKUB SETLA	?	FRYDEK-MISTEK	10	10	10		3	30	1

Matches A

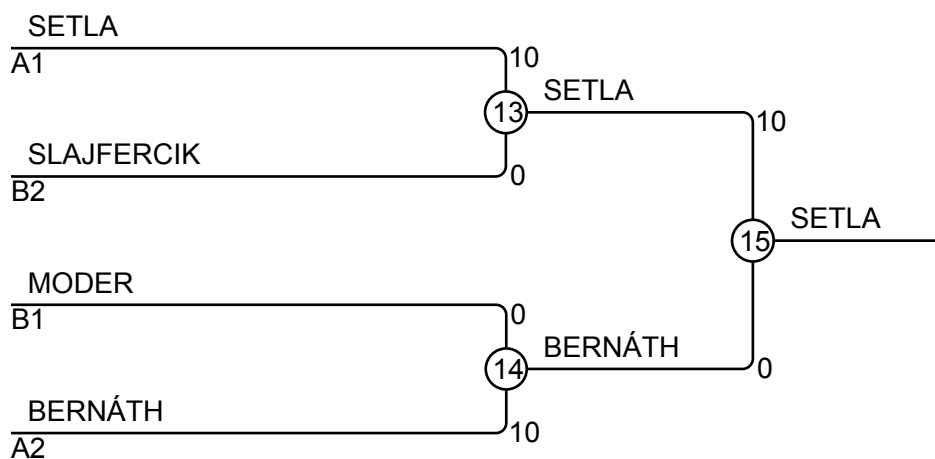
Match	White	Blue	Result	Time
1	Lukáš ZVARA 1 2	SEBASTIAN STEFAN	10 - 0	0:15
3	Lukas BERNÁTH 3 4	JAKUB SETLA	0 - 10	2:00
5	Lukáš ZVARA 1 3	Lukas BERNÁTH	0 - 10	0:05
7	SEBASTIAN STEFAN 2 4	JAKUB SETLA	0 - 10	0:40
9	Lukáš ZVARA 1 4	JAKUB SETLA	0 - 10	1:16
11	SEBASTIAN STEFAN 2 3	Lukas BERNÁTH	0 - 10	0:29

Competitors B

#	Name	Grade	Club	5	6	7	8	Wins	Pts	Pos
5	ADAM SLAJFERCIK	?	JK KATSUDO LC		5	10		2	15	2
6	VALENTIN PRUNDEANU	?	CSS UNIREA IASI			10		1	10	3
7	Ivan ONDRUŠÍK	?	Mladost' RS					0	0	4
8	FABIAN MODER	?	ZELTWEG	1	10	10		3	21	1

Matches B

Match	White	Blue	Result	Time
2	ADAM SLAJFERCIK 5 6	VALENTIN PRUNDEANU	5 - 0	2:00
4	Ivan ONDRUŠÍK 7 8	FABIAN MODER	0 - 10	0:06
6	ADAM SLAJFERCIK 5 7	Ivan ONDRUŠÍK	10 - 0	0:15
8	VALENTIN PRUNDEANU 6 8	FABIAN MODER	0 - 10	1:52
10	ADAM SLAJFERCIK 5 8	FABIAN MODER	0 - 1	2:31
12	VALENTIN PRUNDEANU 6 7	Ivan ONDRUŠÍK	10 - 0	0:05



Results

Pos	Name
1	JAKUB SETLA , FRYDEK-MISTEK
2	Lukas BERNÁTH, Mladost' RS
3	ADAM SLAJFERCIK, JK KATSUDO LC
3	FABIAN MODER, ZELTWEG

XLVI MVC 25.06.2015 MICHALOVCE MU11-50

Competitors: 2

Competitors

#	Name	Grade	Club	1	2	1	2	1	2	Wins	Pts	Pos
1	MATEJ KOČKA	?	TJ SLÁVIA PU PO		10		10			2	20	1
2	MAXIM KOSTUR	?	DK SNV							0	0	2

Matches

Match	White			Blue	Result	Time
1	MATEJ KOČKA	1	2	MAXIM KOSTUR	10 - 0	0:29
2	MATEJ KOČKA	1	2	MAXIM KOSTUR	10 - 0	0:07
3	MATEJ KOČKA	1	2	MAXIM KOSTUR		

Results

Pos	Name
1	MATEJ KOČKA, TJ SLÁVIA PU PO
2	MAXIM KOSTUR, DK SNV

XLVI MVC 25.06.2015 MICHALOVCE FU13-28

Competitors: 2

Competitors

#	Name	Grade	Club	1	2	1	2	1	2	Wins	Pts	Pos
1	TEREZA VANEKOVA	?	JC BARDEJOV		10		10			2	20	1
2	Bianka HUBLEROVÁ	?	MŠK Vranov n. T.							0	0	2

Matches

Match	White			Blue	Result	Time
1	TEREZA VANEKOVA	1	2	Bianka HUBLEROVÁ	10 - 0	0:08
2	TEREZA VANEKOVA	1	2	Bianka HUBLEROVÁ	10 - 0	0:08
3	TEREZA VANEKOVA	1	2	Bianka HUBLEROVÁ		

Results

Pos	Name
1	TEREZA VANEKOVA, JC BARDEJOV
2	Bianka HUBLEROVÁ, MŠK Vranov n. T.

XLVI MVC 25.06.2015 MICHALOVCE FU13-32

Competitors: 5

Competitors

#	Name	Grade	Club	1	2	3	4	5	Wins	Pts	Pos
1	NATÁLIA GAŽIOVÁ	?	LOKOMOTIVA RS		10	5	7	10	4	32	1
2	Sara TITKOVÁ	?	MŠK Vranov n. T.			10		10	2	20	3
3	YULIA SHTEFANIAK	?	UZHOROD2					10	1	10	4
4	MARTINA SEKOVÁ	?	JK SPARTA PB		10	10		10	3	30	2
5	ALŽBETA HLIVOVÁ	?	ŠK ZEMPLÍN MI						0	0	5

Matches

Match	White	Blue	Result	Time
1	MARTINA SEKOVÁ 4 5	ALŽBETA HLIVOVÁ	10 - 0	0:40
2	NATÁLIA GAŽIOVÁ 1 2	Sara TITKOVÁ	10 - 0	0:47
3	YULIA SHTEFANIAK 3 4	MARTINA SEKOVÁ	0 - 10	0:36
4	NATÁLIA GAŽIOVÁ 1 5	ALŽBETA HLIVOVÁ	10 - 0	0:28
5	Sara TITKOVÁ 2 3	YULIA SHTEFANIAK	10 - 0	0:36
6	NATÁLIA GAŽIOVÁ 1 4	MARTINA SEKOVÁ	7 - 0	2:00
7	YULIA SHTEFANIAK 3 5	ALŽBETA HLIVOVÁ	10 - 0	1:10
8	Sara TITKOVÁ 2 4	MARTINA SEKOVÁ	0 - 10	0:33
9	NATÁLIA GAŽIOVÁ 1 3	YULIA SHTEFANIAK	5 - 0	2:00
10	Sara TITKOVÁ 2 5	ALŽBETA HLIVOVÁ	10 - 0	1:08

Results

Pos	Name
1	NATÁLIA GAŽIOVÁ, LOKOMOTIVA RS
2	MARTINA SEKOVÁ, JK SPARTA PB
3	Sara TITKOVÁ, MŠK Vranov n. T.
4	YULIA SHTEFANIAK, UZHOROD2
5	ALŽBETA HLIVOVÁ, ŠK ZEMPLÍN MI

XLVI MVC 25.06.2015 MICHALOVCE FU13-36

Competitors: 5

Competitors

#	Name	Grade	Club	1	2	3	4	5	Wins	Pts	Pos
1	Bronislava ŠKORŇOVÁ	?	Mladost' RS			10		10	2	20	3
2	MARGARÉTA SZABÓ	?	KOLAROVO	10		10		10	3	30	2
3	Vita FERENCCI	?	Domasek					10	1	10	4
4	LEONA ŠČERBOVÁ	?	TJ JUDO OSTRAVA	10	10	10		10	4	40	1
5	KRISTÝN WARMUŽOVÁ	?	TJ JUDO OSTRAVA						0	0	5

Matches

Match	White			Blue	Result	Time
1	LEONA ŠČERBOVÁ	4	5	KRISTÝN WARMUŽOVÁ	10 - 0	1:48
2	Bronislava ŠKORŇOVÁ	1	2	MARGARÉTA SZABÓ	0 - 10	0:16
3	Vita FERENCCI	3	4	LEONA ŠČERBOVÁ	0 - 10	0:32
4	Bronislava ŠKORŇOVÁ	1	5	KRISTÝN WARMUŽOVÁ	10 - 0	0:25
5	MARGARÉTA SZABÓ	2	3	Vita FERENCCI	10 - 0	0:48
6	Bronislava ŠKORŇOVÁ	1	4	LEONA ŠČERBOVÁ	0 - 10	1:24
7	Vita FERENCCI	3	5	KRISTÝN WARMUŽOVÁ	10 - 0	0:48
8	MARGARÉTA SZABÓ	2	4	LEONA ŠČERBOVÁ	0 - 10	1:24
9	Bronislava ŠKORŇOVÁ	1	3	Vita FERENCCI	10 - 0	0:35
10	MARGARÉTA SZABÓ	2	5	KRISTÝN WARMUŽOVÁ	10 - 0	0:18

Results

Pos	Name
1	LEONA ŠČERBOVÁ, TJ JUDO OSTRAVA
2	MARGARÉTA SZABÓ, KOLAROVO
3	Bronislava ŠKORŇOVÁ, Mladost' RS
4	Vita FERENCCI, Domasek
5	KRISTÝN WARMUŽOVÁ, TJ JUDO OSTRAVA

XLVI MVC 25.06.2015 MICHALOVCE FU13-40

Competitors: 3

Competitors

#	Name	Grade	Club	1	2	3	Wins	Pts	Pos
1	SIMONA HORVATHOVA	?	DK SNV			10	1	10	2
2	LENKA TOMÁNKOVÁ	?	1.JK PEZINOK	10		10	2	20	1
3	JITKA HOPJANOVA	?	JC HRADEC KRALOVE				0	0	3

Matches

Match	White			Blue	Result	Time
1	SIMONA HORVATHOVA	1	2	LENKA TOMÁNKOVÁ	0 - 10	0:34
2	SIMONA HORVATHOVA	1	3	JITKA HOPJANOVA	10 - 0	1:18
3	LENKA TOMÁNKOVÁ	2	3	JITKA HOPJANOVA	10 - 0	0:05

Results

Pos	Name
1	LENKA TOMÁNKOVÁ, 1.JK PEZINOK
2	SIMONA HORVATHOVA, DK SNV
3	JITKA HOPJANOVA, JC HRADEC KRALOVE

XLVI MVC 25.06.2015 MICHALOVCE FU13-44

Competitors: 4

Competitors

#	Name	Grade	Club	1	2	3	4	Wins	Pts	Pos
1	LAURA TUTKOVA	?	DK SNV					0	0	4
2	SÁRA ŠPINEROVÁ	?	DK SNV	10			10	2	20	2
3	ANETA VESELA	?	SKP NOVY BYDZOV	10	1		10	3	21	1
4	SOFIA POPOVICOVA	?	ŠK ZEMPLÍN MI	1				1	1	3

Matches

Match	White			Blue	Result	Time
1	LAURA TUTKOVA	1	2	SÁRA ŠPINEROVÁ	0 - 10	0:40
2	ANETA VESELA	3	4	SOFIA POPOVICOVA	10 - 0	0:47
3	LAURA TUTKOVA	1	3	ANETA VESELA	0 - 10	0:08
4	SÁRA ŠPINEROVÁ	2	4	SOFIA POPOVICOVA	10 - 0	0:40
5	LAURA TUTKOVA	1	4	SOFIA POPOVICOVA	0 - 1	2:00
6	SÁRA ŠPINEROVÁ	2	3	ANETA VESELA	0 - 1	2:00

Results

Pos	Name
1	ANETA VESELA, SKP NOVY BYDZOV
2	SÁRA ŠPINEROVÁ, DK SNV
3	SOFIA POPOVICOVA, ŠK ZEMPLÍN MI
4	LAURA TUTKOVA, DK SNV

XLVI MVC 25.06.2015 MICHALOVCE FU13-48

Competitors: 3

Competitors

#	Name	Grade	Club	1	2	3	Wins	Pts	Pos
1	SIMONA KOČKOVÁ	?	TJ SLÁVIA PU PO				0	0	3
2	Dorota LÁBOVÁ	?	MŠK Vranov n. T.	10			1	10	2
3	EMESE KOHUT	?	KAZINBARCIKA	10	10		2	20	1

Matches

Match	White			Blue	Result	Time
1	SIMONA KOČKOVÁ	1	2	Dorota LÁBOVÁ	0 - 10	0:40
2	SIMONA KOČKOVÁ	1	3	EMESE KOHUT	0 - 10	1:18
3	Dorota LÁBOVÁ	2	3	EMESE KOHUT	0 - 10	0:23

Results

Pos	Name
1	EMESE KOHUT, KAZINBARCIKA
2	Dorota LÁBOVÁ, MŠK Vranov n. T.
3	SIMONA KOČKOVÁ, TJ SLÁVIA PU PO

XLVI MVC 25.06.2015 MICHALOVCE FU13+63

Competitors: 1

Competitors

#	Name	Grade	Club	1	Wins	Pts	Pos
1	DIANA KANÓCOVÁ	?	ŠK ZEMPLÍN MI		0	0	1

Matches

Match	White	Blue	Result	Time
-------	-------	------	--------	------

Results

Pos	Name
1	DIANA KANÓCOVÁ, ŠK ZEMPLÍN MI

XLVI MVC 25.06.2015 MICHALOVCE MU13-30

Competitors: 8

Competitors A

#	Name	Grade	Club	1	2	3	4	Wins	Pts	Pos
1	NIKOLAI JG STEINER	?	ZELTWEG					0	0	4
2	Kornel BODOR	?	Mladost' RS	10				1	10	3
3	ANTON SIAMAK	?	UŽHOROD 1	10	10			2	20	2
4	ANDREJ MEŠA	?	JK KATSUDO LC	10	10	5		3	25	1

Matches A

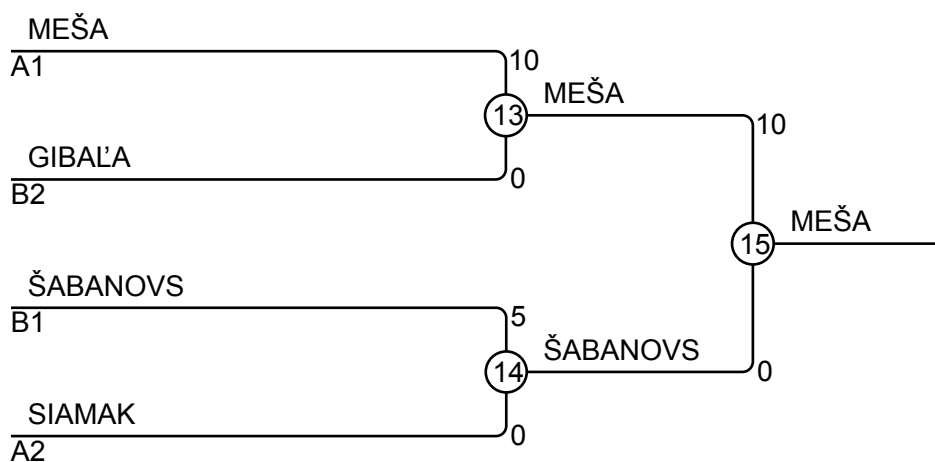
Match	White	Blue	Result	Time
1	NIKOLAI JG STEINER 1 2	Kornel BODOR	0 - 10	0:47
3	ANTON SIAMAK 3 4	ANDREJ MEŠA	0 - 5	2:00
5	NIKOLAI JG STEINER 1 3	ANTON SIAMAK	0 - 10	0:38
7	Kornel BODOR 2 4	ANDREJ MEŠA	0 - 10	1:21
9	NIKOLAI JG STEINER 1 4	ANDREJ MEŠA	0 - 10	0:12
11	Kornel BODOR 2 3	ANTON SIAMAK	0 - 10	0:32

Competitors B

#	Name	Grade	Club	5	6	7	8	Wins	Pts	Pos
5	PATRIK GIBAĽA	?	JUNIOR LC		1		1	2	2	2
6	RAČKAUSKAS GYTIS	?	ALYTUS				10	1	10	3
7	DENISS ŠABANOVS	?	LIEPAJAS KSS	10	1		10	3	21	1
8	DAVID KOČKA	?	JC HRADEC KRALOVE					0	0	4

Matches B

Match	White	Blue	Result	Time
2	PATRIK GIBAĽA 5 6	RAČKAUSKAS GYTIS	1 - 0	2:00
4	DENISS ŠABANOVS 7 8	DAVID KOČKA	10 - 0	0:47
6	PATRIK GIBAĽA 5 7	DENISS ŠABANOVS	0 - 10	0:10
8	RAČKAUSKAS GYTIS 6 8	DAVID KOČKA	10 - 0	1:13
10	PATRIK GIBAĽA 5 8	DAVID KOČKA	1 - 0	2:17
12	RAČKAUSKAS GYTIS 6 7	DENISS ŠABANOVS	0 - 1	2:19



Results

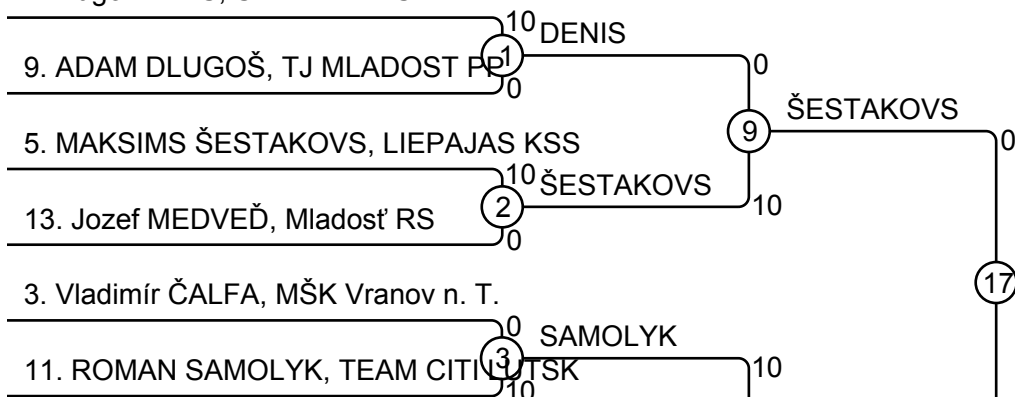
Pos	Name
1	ANDREJ MEŠA, JK KATSUDO LC
2	DENISS ŠABANOVS, LIEPAJAS KSS
3	PATRIK GIBAĽA, JUNIOR LC
3	ANTON SIAMAK, UŽHOROD 1

XLVI MVC 25.06.2015 MICHALOVCE MU13-34

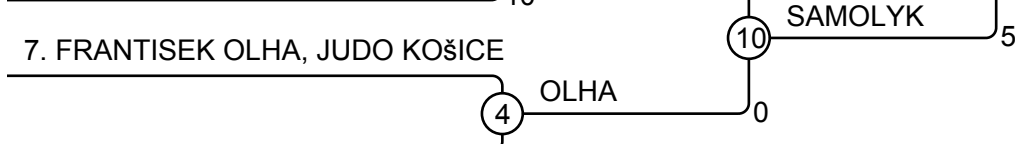
Competitors: 15

1. Hugo DENIS, SAINT DENIS

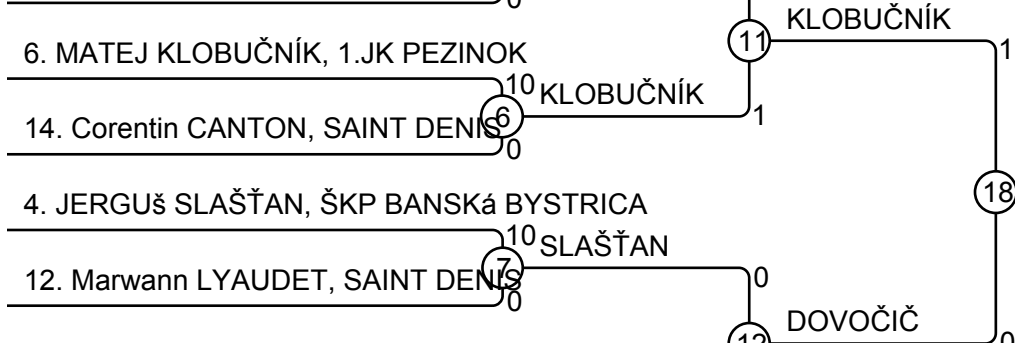
A



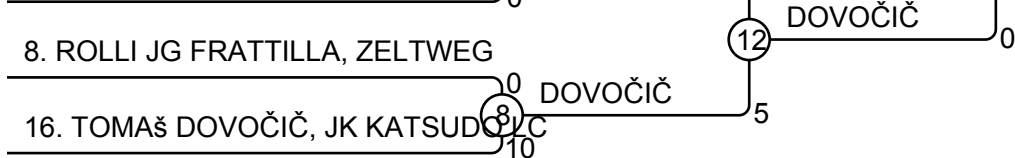
B



C

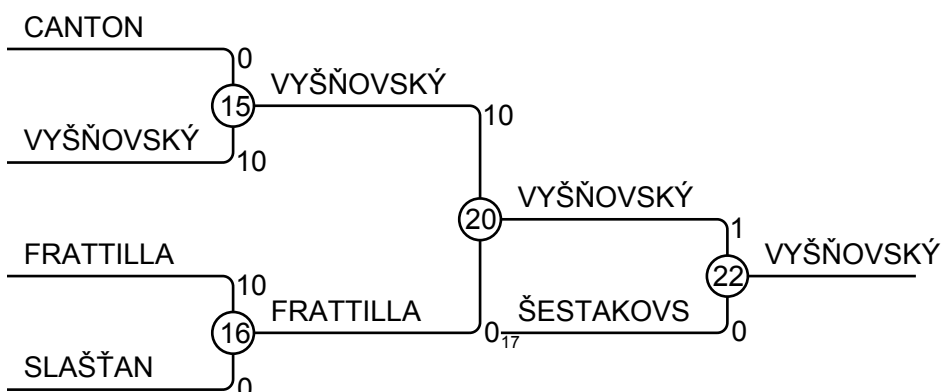
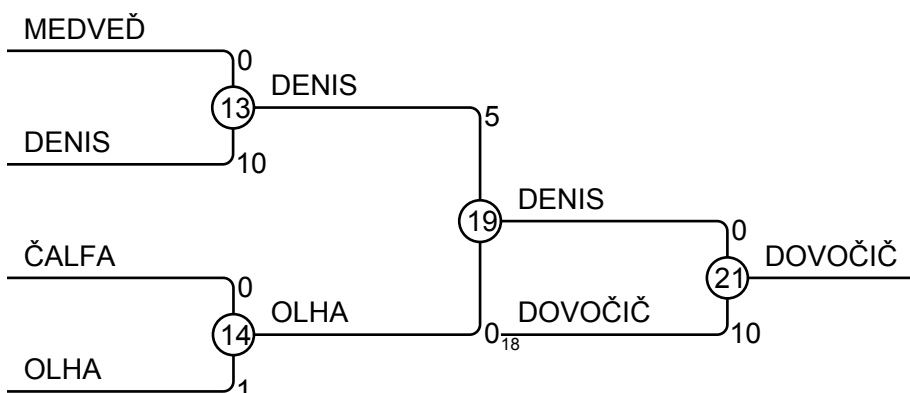


D



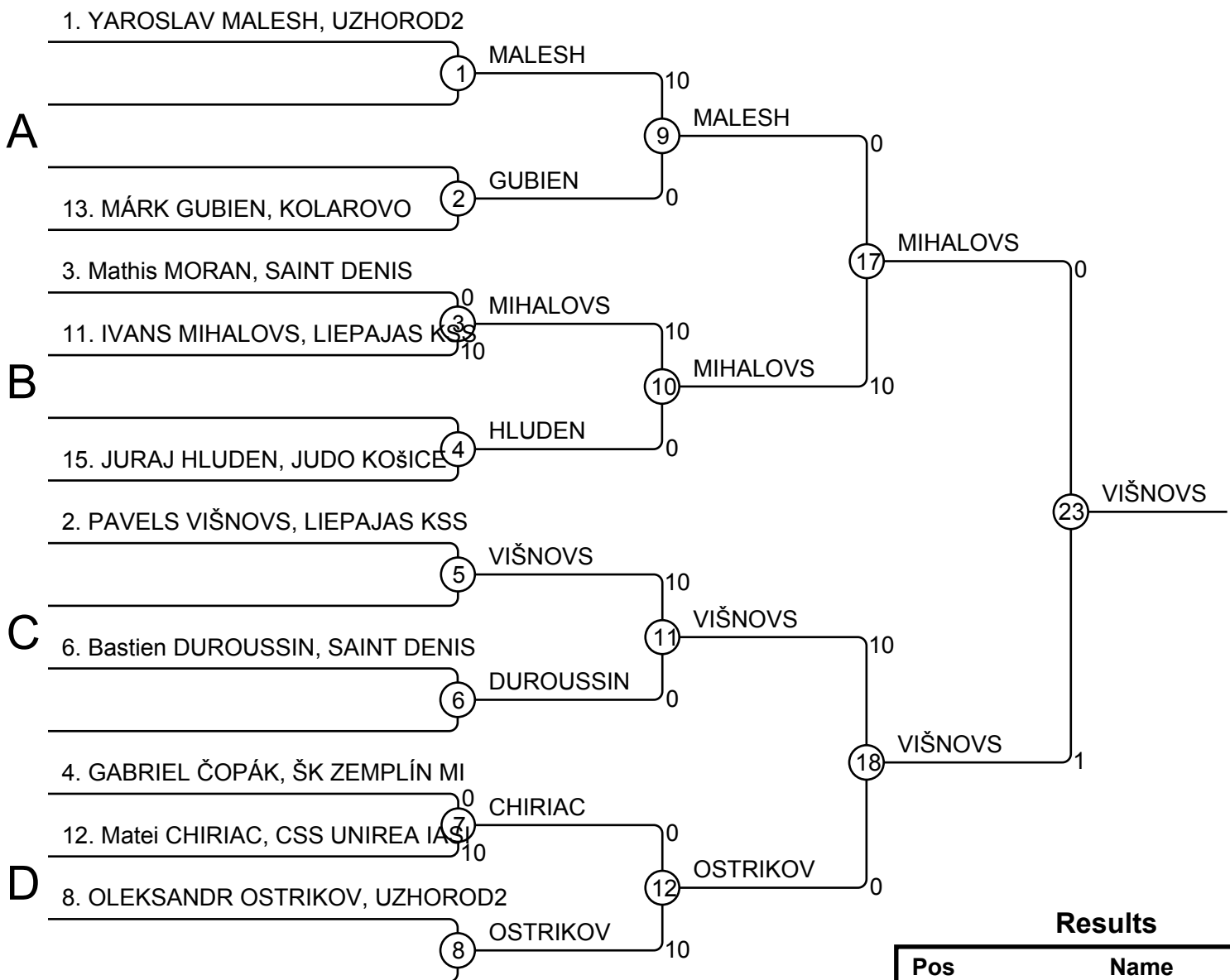
Results

Pos	Name
1	ROMAN SAMOLYK, TEAM CITI... LUT
2	MATEJ KLOBUČNÍK, 1.JK PEZINOK
3	TOMAŠ DOVOČIČ, JK KATSUDO LO
3	Richard VYŠŇOVSKÝ, MŠK Vranov n
5	Hugo DENIS, SAINT DENIS
5	MAKSIMS ŠESTAKOVŠ, LIEPAJAS
7	FRANTISEK OLHA, JUDO KOŠICE
7	ROLLI JG FRATTILLA, ZELTWEG



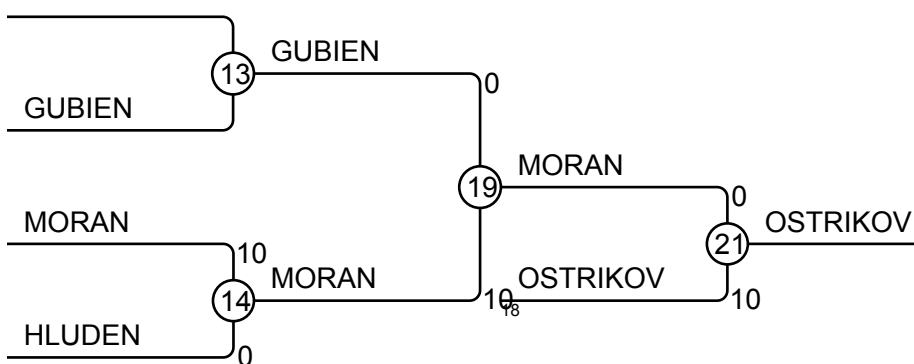
XLVI MVC 25.06.2015 MICHALOVCE MU13-38

Competitors: 10



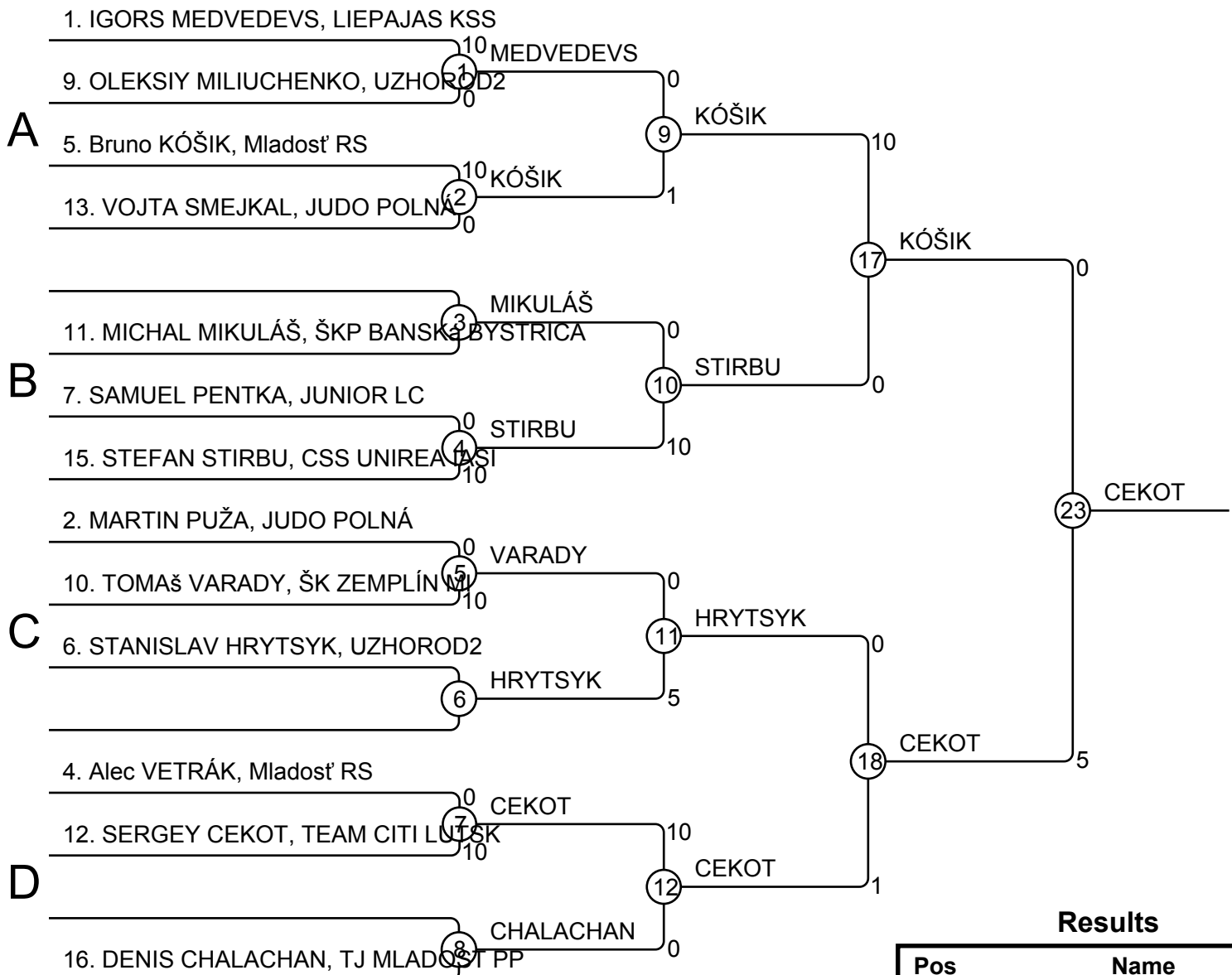
Results

Pos	Name
1	PAVELS VIŠNOVS, LIEPAJAS KSS
2	IVANS MIHALOVŠ, LIEPAJAS KSS
3	OLEKSANDR OSTRIKOV, UZHORO
3	Matei CHIRIAC, CSS UNIREA IASI
5	Mathis MORAN, SAINT DENIS
5	YAROSLAV MALESH, UZHOROD2
7	MÁRK GUBIEN, KOLAROVO
7	Bastien DUROUSSIN, SAINT DENIS



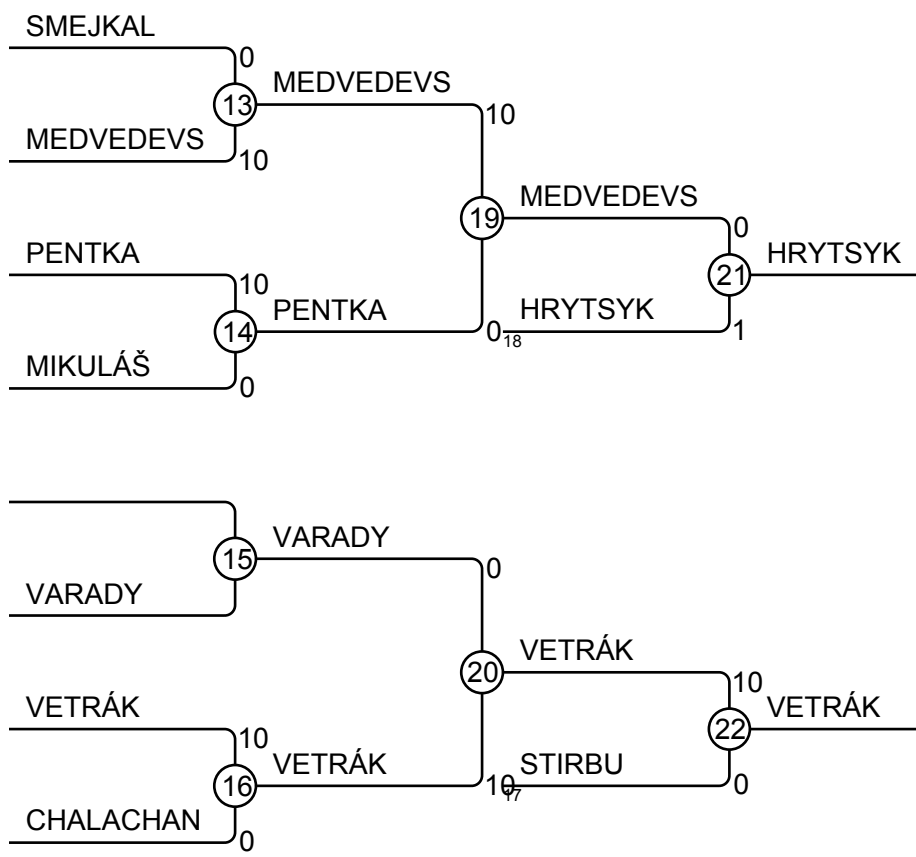
XLVI MVC 25.06.2015 MICHALOVCE MU13-42

Competitors: 13



Results

Pos	Name
1	SERGEY CEKOT, TEAM CITI LUTSK
2	Bruno KÓŠIK, Mladost' RS
3	STANISLAV HRYTSYK, UZHOROD2
3	Alec VETRÁK, Mladost' RS
5	IGORS MEDVEDEVS, LIEPAJAS KSS
5	STEFAN STIRBU, CSS UNIREA IAS
7	SAMUEL PENTKA, JUNIOR LC
7	TOMAŠ VARADY, ŠK ZEMPLÍN MI



XLVI MVC 25.06.2015 MICHALOVCE MU13-46

Competitors: 8

Competitors A

#	Name	Grade	Club	1	2	3	4	Wins	Pts	Pos
1	SAMUEL NAGY	?	TJ SLÁVIA PU PO					0	0	4
2	LUKAŠ KOOŠ	?	LOKOMOTIVA RS	10		10	10	3	30	1
3	STAS BRINZAJSKIJ	?	UŽHOROD 1	10			10	2	20	2
4	ALEX HUTYRA	?	FRYDEK-MISTEK	10				1	10	3

Matches A

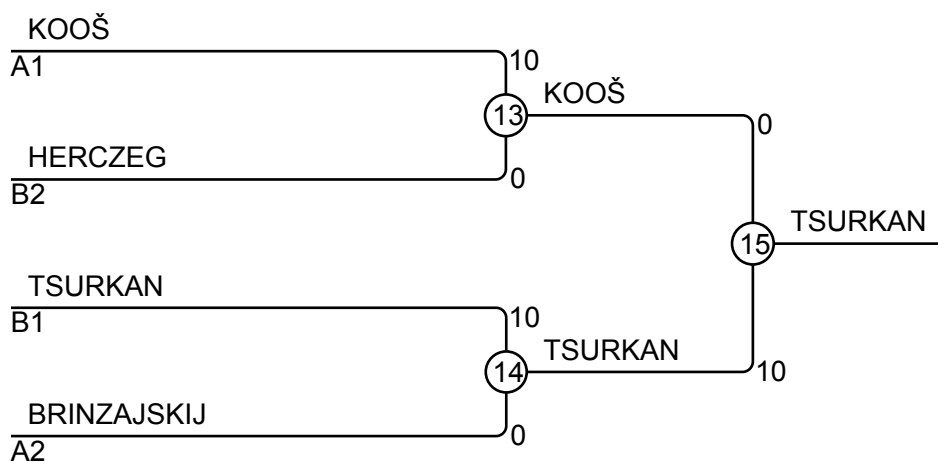
Match	White	Blue	Result	Time
1	SAMUEL NAGY 1 2	LUKAŠ KOOŠ	0 - 10	0:25
3	STAS BRINZAJSKIJ 3 4	ALEX HUTYRA	10 - 0	1:57
5	SAMUEL NAGY 1 3	STAS BRINZAJSKIJ	0 - 10	1:05
7	LUKAŠ KOOŠ 2 4	ALEX HUTYRA	10 - 0	1:03
9	SAMUEL NAGY 1 4	ALEX HUTYRA	0 - 10	0:57
11	LUKAŠ KOOŠ 2 3	STAS BRINZAJSKIJ	10 - 0	1:13

Competitors B

#	Name	Grade	Club	5	6	7	8	Wins	Pts	Pos
5	Adrian MEDVEĎ	?	Mladost' RS				10	1	10	3
6	IGOR TSURKAN	?	EUROPA ODESSA	10		10	10	3	30	1
7	MARTIN HERCZEG	?	MISKOLC	10			10	2	20	2
8	MICHAL HAMBOR	?	DK SNV					0	0	4

Matches B

Match	White	Blue	Result	Time
2	Adrian MEDVEĎ 5 6	IGOR TSURKAN	0 - 10	0:06
4	MARTIN HERCZEG 7 8	MICHAL HAMBOR	10 - 0	0:06
6	Adrian MEDVEĎ 5 7	MARTIN HERCZEG	0 - 10	0:56
8	IGOR TSURKAN 6 8	MICHAL HAMBOR	10 - 0	0:04
10	Adrian MEDVEĎ 5 8	MICHAL HAMBOR	10 - 0	0:35
12	IGOR TSURKAN 6 7	MARTIN HERCZEG	10 - 0	0:16

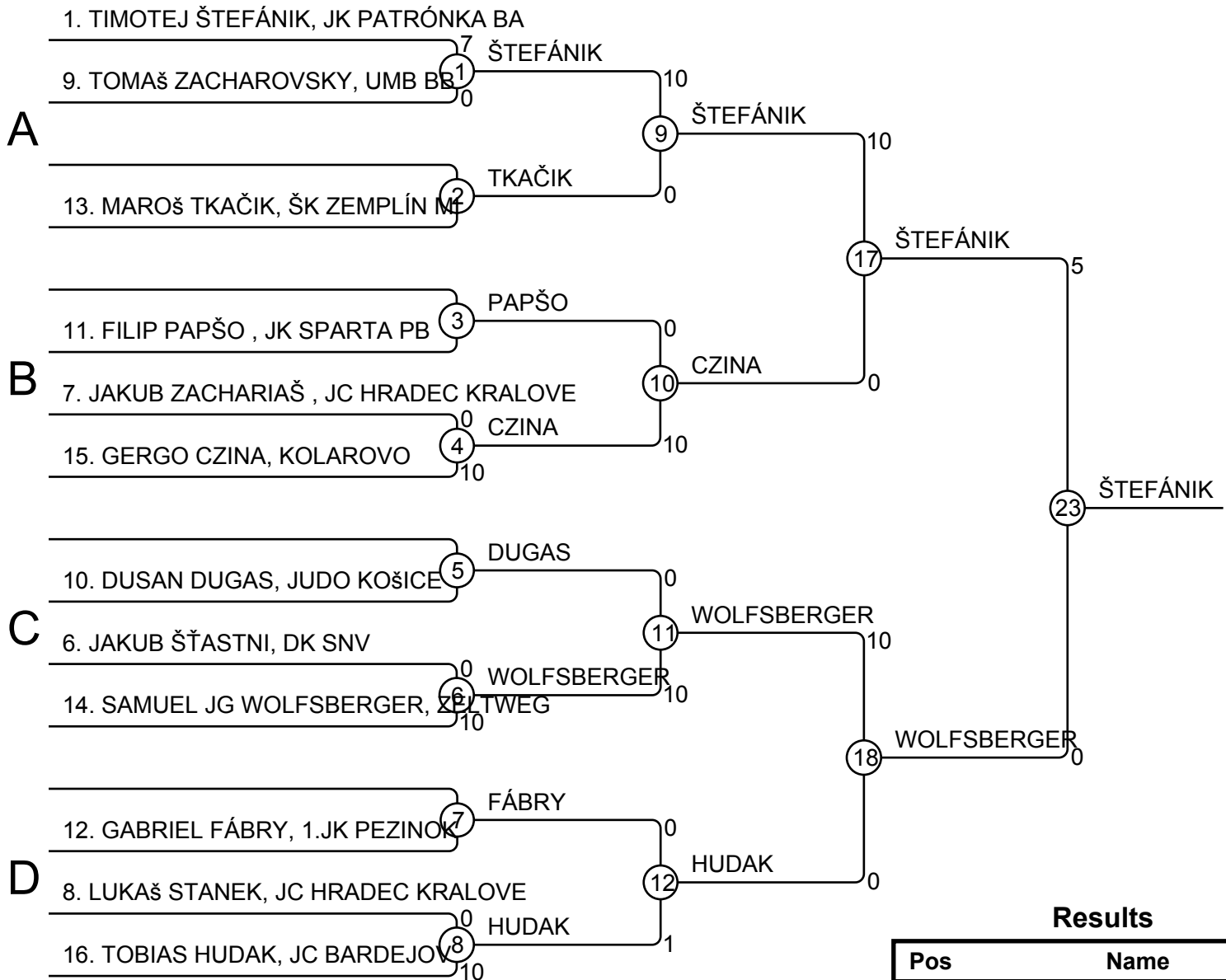


Results

Pos	Name
1	IGOR TSURKAN, EUROPA ODESSA
2	LUKAŠ KOOŠ, LOKOMOTIVA RS
3	MARTIN HERCZEG, MISKOLC
3	STAS BRINZAJSKIJ, UŽHOROD 1

XLVI MVC 25.06.2015 MICHALOVCE MU13-50

Competitors: 12



Results

Pos	Name
1	TIMOTEJ ŠTEFÁNIK, JK PATRÓNKA BA
2	SAMUEL JG WOLFSBERGER, ZELTZWEG
3	TOMAŠ ZACHAROVSKY, UMB BB
3	GERGO CZINA, KOLAROVO
5	TOBIAS HUDAK, JC BARDEJOV
5	GABRIEL FÁBRY, 1.JK PEZINOK
7	FILIP PAPŠO, JK SPARTA PB
7	JAKUB ŠŤASTNI, DK SNV

XLVI MVC 25.06.2015 MICHALOVCE MU13-55

Competitors: 6

Competitors A

#	Name	Grade	Club	1	2	3	Wins	Pts	Pos
1	MILAN HERCZEG	?	MISKOLC		10	10	2	20	1
2	Šimon KOCOUREK	?	JC HRADEC KRALOVE			10	1	10	2
3	ONDREJ BARTO	?	ŠKP BANSKÁ BYSTRICA				0	0	3

Matches A

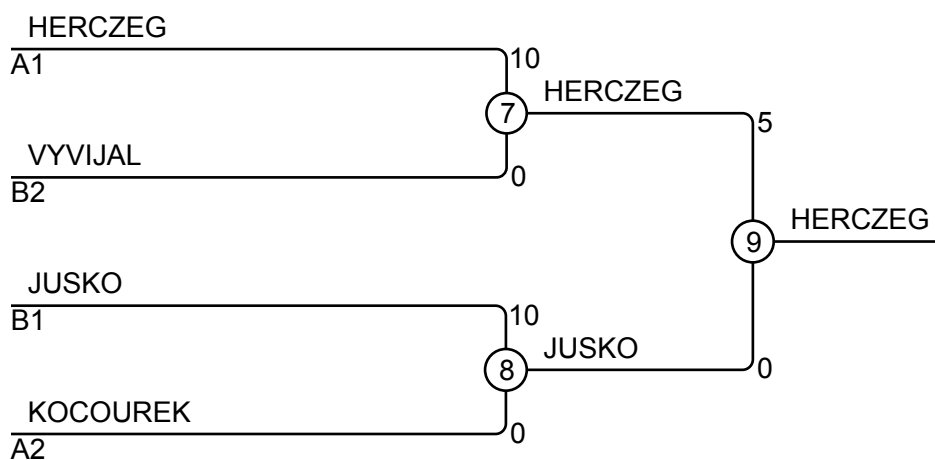
Match	White	Blue	Result	Time
1	MILAN HERCZEG	1 2 Šimon KOCOUREK	10 - 0	0:13
3	MILAN HERCZEG	1 3 ONDREJ BARTO	10 - 0	0:20
5	Šimon KOCOUREK	2 3 ONDREJ BARTO	10 - 0	1:33

Competitors B

#	Name	Grade	Club	4	5	6	Wins	Pts	Pos
4	MATYAŠ VYVIJAL	?	FRYDEK-MISTEK			10	1	10	2
5	MARTIN JUSKO	?	JC BARDEJOV	10		10	2	20	1
6	Josselin GREFFERAT	?	SAINT DENIS				0	0	3

Matches B

Match	White	Blue	Result	Time
2	MATYAŠ VYVIJAL	4 5 MARTIN JUSKO	0 - 10	0:40
4	MATYAŠ VYVIJAL	4 6 Josselin GREFFERAT	10 - 0	0:07
6	MARTIN JUSKO	5 6 Josselin GREFFERAT	10 - 0	0:23



Results

Pos	Name
1	MILAN HERCZEG, MISKOLC
2	MARTIN JUSKO, JC BARDEJOV
3	MATYAŠ VYVIJAL, FRYDEK-MISTEK
3	Šimon KOCOUREK, JC HRADEC KRALOVE

XLVI MVC 25.06.2015 MICHALOVCE MU13-60

Competitors: 7

Competitors A

#	Name	Grade	Club	1	2	3	4	Wins	Pts	Pos
1	FILIP OLESKY	?	MOSIR BOCHNIA				10	1	10	3
2	DOMINIK DUONG	?	JC ZTS MARTIN	10			10	2	20	2
3	MARK KHREBTAN	?	UZHOROD SS	10	10		1	3	21	1
4	MIRON TOTH	?	KAZINBARCIKA					0	0	4

Matches A

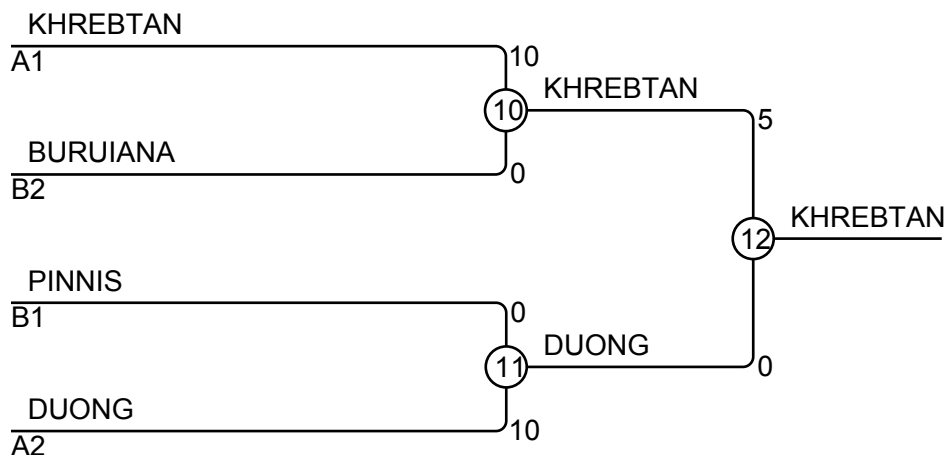
Match	White	Blue	Result	Time
1	FILIP OLESKY 1	DOMINIK DUONG 2	0 - 10	0:53
2	MARK KHREBTAN 3	MIRON TOTH 4	1 - 0	2:12
4	FILIP OLESKY 1	MARK KHREBTAN 3	0 - 10	0:27
5	DOMINIK DUONG 2	MIRON TOTH 4	10 - 0	2:00
7	FILIP OLESKY 1	MIRON TOTH 4	10 - 0	0:48
8	DOMINIK DUONG 2	MARK KHREBTAN 3	0 - 10	0:59

Competitors B

#	Name	Grade	Club	5	6	7	Wins	Pts	Pos
5	Ondrej IHNÁT	?	MŠK Vranov n. T.				0	0	3
6	Vlad BURUIANA	?	CSS UNIREA IASI	10			1	10	2
7	ROBERTS PINNIS	?	LIEPAJAS KSS	10	10		2	20	1

Matches B

Match	White	Blue	Result	Time
3	Ondrej IHNÁT 5	Vlad BURUIANA 6	0 - 10	0:19
6	Ondrej IHNÁT 5	ROBERTS PINNIS 7	0 - 10	1:11
9	Vlad BURUIANA 6	ROBERTS PINNIS 7	0 - 10	1:12



Results

Pos	Name
1	MARK KHREBTAN, UZHOROD SS
2	DOMINIK DUONG, JC ZTS MARTIN
3	Vlad BURUIANA, CSS UNIREA IASI
3	ROBERTS PINNIS, LIEPAJAS KSS

XLVI MVC 25.06.2015 MICHALOVCE MU13-65

Competitors: 1

Competitors

#	Name	Grade	Club	1	Wins	Pts	Pos
1	ILLARION PYSHKA	?	UZHOROD SS		0	0	1

Matches

Match	White	Blue	Result	Time
-------	-------	------	--------	------

Results

Pos	Name
1	ILLARION PYSHKA, UZHOROD SS

XLVI MVC 25.06.2015 MICHALOVCE MU13+65

Competitors: 3

Competitors

#	Name	Grade	Club	1	2	3	Wins	Pts	Pos
1	MATUS MACKO	?	ŠK ZEMPLÍN MI			10	1	10	2
2	ZSOMBOR GULYÁSGABOR	?	KOLAROVO	10		10	2	20	1
3	Razvan BOBIS	?	ARAD				0	0	3

Matches

Match	White		Blue	Result	Time
1	MATUS MACKO	1 2	ZSOMBOR GULYÁSGABOR	0 - 10	0:36
2	MATUS MACKO	1 3	Razvan BOBIS	10 - 0	1:40
3	ZSOMBOR GULYÁSGABOR	2 3	Razvan BOBIS	10 - 0	2:00

Results

Pos	Name
1	ZSOMBOR GULYÁSGABOR, KOLAROVO
2	MATUS MACKO, ŠK ZEMPLÍN MI
3	Razvan BOBIS, ARAD

XLVI MVC 25.06.2015 MICHALOVCE FU15-40

Competitors: 1

Competitors

#	Name	Grade	Club	1	Wins	Pts	Pos
1	ANTANAVIČIUTE AURELIJA	?	ALYTUS		0	0	1

Matches

Match	White	Blue	Result	Time
-------	-------	------	--------	------

Results

Pos	Name
1	ANTANAVIČIUTE AURELIJA, ALYTUS

XLVI MVC 25.06.2015 MICHALOVCE FU15-44

Competitors: 5

Competitors

#	Name	Grade	Club	1	2	3	4	5	Wins	Pts	Pos
1	Veronika ÚTISOVÁ	?	Mladost' RS		1	10	10	10	4	31	1
2	MARKÉTA HÝLOVÁ	?	TJ JUDO OSTRAVA			10	10	10	3	30	2
3	MARISSA JG MAIER	?	ZELTWEG				10	10	2	20	3
4	NATÁLIA HNÁTOVÁ	?	DK SNV						0	0	5
5	MICHAELLA VACULÍKOVA	?	TJ MLADOST PP				10		1	10	4

Matches

Match	White	White	Blue	Result	Time	
1	NATÁLIA HNÁTOVÁ	4	5	MICHAELLA VACULÍKOVA	0 - 10	0:09
2	Veronika ÚTISOVÁ	1	2	MARKÉTA HÝLOVÁ	1 - 0	3:00
3	MARISSA JG MAIER	3	4	NATÁLIA HNÁTOVÁ	10 - 0	0:44
4	Veronika ÚTISOVÁ	1	5	MICHAELLA VACULÍKOVA	10 - 0	0:56
5	MARKÉTA HÝLOVÁ	2	3	MARISSA JG MAIER	10 - 0	3:00
6	Veronika ÚTISOVÁ	1	4	NATÁLIA HNÁTOVÁ	10 - 0	0:26
7	MARISSA JG MAIER	3	5	MICHAELLA VACULÍKOVA	10 - 0	1:40
8	MARKÉTA HÝLOVÁ	2	4	NATÁLIA HNÁTOVÁ	10 - 0	0:34
9	Veronika ÚTISOVÁ	1	3	MARISSA JG MAIER	10 - 0	1:40
10	MARKÉTA HÝLOVÁ	2	5	MICHAELLA VACULÍKOVA	10 - 0	1:38

Results

Pos	Name
1	Veronika ÚTISOVÁ, Mladost' RS
2	MARKÉTA HÝLOVÁ, TJ JUDO OSTRAVA
3	MARISSA JG MAIER, ZELTWEG
4	MICHAELLA VACULÍKOVA, TJ MLADOST PP
5	NATÁLIA HNÁTOVÁ, DK SNV

XLVI MVC 25.06.2015 MICHALOVCE FU15-48

Competitors: 4

Competitors

#	Name	Grade	Club	1	2	3	4	Wins	Pts	Pos
1	SIMONA BOČINCOVÁ	?	JK SPARTA PB		10	10		2	20	2
2	OLIVIA OLHOVÁ	?	JUDO KOŠICE			10		1	10	3
3	ANNA BEDNAROVA	?	JC HRADEC KRALOVE					0	0	4
4	NATALIA JURSOVA	?	JC ZTS MARTIN	10	10	10		3	30	1

Matches

Match	White			Blue	Result	Time
1	SIMONA BOČINCOVÁ	1	2	OLIVIA OLHOVÁ	10 - 0	1:21
2	ANNA BEDNAROVA	3	4	NATALIA JURSOVA	0 - 10	0:30
3	SIMONA BOČINCOVÁ	1	3	ANNA BEDNAROVA	10 - 0	0:19
4	OLIVIA OLHOVÁ	2	4	NATALIA JURSOVA	0 - 10	1:29
5	SIMONA BOČINCOVÁ	1	4	NATALIA JURSOVA	0 - 10	3:00
6	OLIVIA OLHOVÁ	2	3	ANNA BEDNAROVA	10 - 0	0:48

Results

Pos	Name
1	NATALIA JURSOVA, JC ZTS MARTIN
2	SIMONA BOČINCOVÁ, JK SPARTA PB
3	OLIVIA OLHOVÁ, JUDO KOŠICE
4	ANNA BEDNAROVA, JC HRADEC KRALOVE

XLVI MVC 25.06.2015 MICHALOVCE FU15-52

Competitors: 3

Competitors

#	Name	Grade	Club	1	2	3	Wins	Pts	Pos
1	JITKA PAVLOVIČOVA	?	ŠKP BANSKá BYSTRICA				0	0	3
2	ALEXANDRA ČIŽMÁROVÁ	?	ŠK ZEMPLÍN MI	10			1	10	2
3	Žilionyte GABRIELE	?	ALYTUS	10	10		2	20	1

Matches

Match	White			Blue	Result	Time
1	JITKA PAVLOVIČOVA	1	2	ALEXANDRA ČIŽMÁROVÁ	0 - 10	1:13
2	JITKA PAVLOVIČOVA	1	3	Žilionyte GABRIELE	0 - 10	0:30
3	ALEXANDRA ČIŽMÁROVÁ	2	3	Žilionyte GABRIELE	0 - 10	0:45

Results

Pos	Name
1	Žilionyte GABRIELE, ALYTUS
2	ALEXANDRA ČIŽMÁROVÁ, ŠK ZEMPLÍN MI
3	JITKA PAVLOVIČOVA, ŠKP BANSKá BYSTRICA

XLVI MVC 25.06.2015 MICHALOVCE FU15-57

Competitors: 2

Competitors

#	Name	Grade	Club	1	2	1	2	1	2	Wins	Pts	Pos
1	PAVLÍNA ČIŽMÁROVÁ	?	JK SPARTA PB				10		10	2	20	1
2	JUCIKAITE GABIJA	?	ALYTUS	10						1	10	2

Matches

Match	White			Blue	Result	Time
1	PAVLÍNA ČIŽMÁROVÁ	1	2	JUCIKAITE GABIJA	0 - 10	1:33
2	PAVLÍNA ČIŽMÁROVÁ	1	2	JUCIKAITE GABIJA	10 - 0	0:40
3	PAVLÍNA ČIŽMÁROVÁ	1	2	JUCIKAITE GABIJA	10 - 0	1:08

Results

Pos	Name
1	PAVLÍNA ČIŽMÁROVÁ, JK SPARTA PB
2	JUCIKAITE GABIJA, ALYTUS

XLVI MVC 25.06.2015 MICHALOVCE FU15-63

Competitors: 3

Competitors

#	Name	Grade	Club	1	2	3	Wins	Pts	Pos
1	LISA JG MODER	?	ZELTWEG		10	10	2	20	1
2	PATRICIE COPFOVA	?	JUDO POLNÁ			10	1	10	2
3	LUCIA PAPŠOVÁ	?	JK SPARTA PB				0	0	3

Matches

Match	White			Blue	Result	Time
1	LISA JG MODER	1	2	PATRICIE COPFOVA	10 - 0	1:43
2	LISA JG MODER	1	3	LUCIA PAPŠOVÁ	10 - 0	1:07
3	PATRICIE COPFOVA	2	3	LUCIA PAPŠOVÁ	10 - 0	0:52

Results

Pos	Name
1	LISA JG MODER, ZELTWEG
2	PATRICIE COPFOVA, JUDO POLNÁ
3	LUCIA PAPŠOVÁ, JK SPARTA PB

XLVI MVC 25.06.2015 MICHALOVCE MU15-38

Competitors: 6

Competitors A

#	Name	Grade	Club	1	2	3	Wins	Pts	Pos
1	Kolos BALOGH	?	Domasek		10	5	2	15	1
2	JAKUB VRŠEK	?	TJ JUDO OSTRAVA			10	1	10	2
3	NIHAT KARIMOV	?	ZELTWEG				0	0	3

Matches A

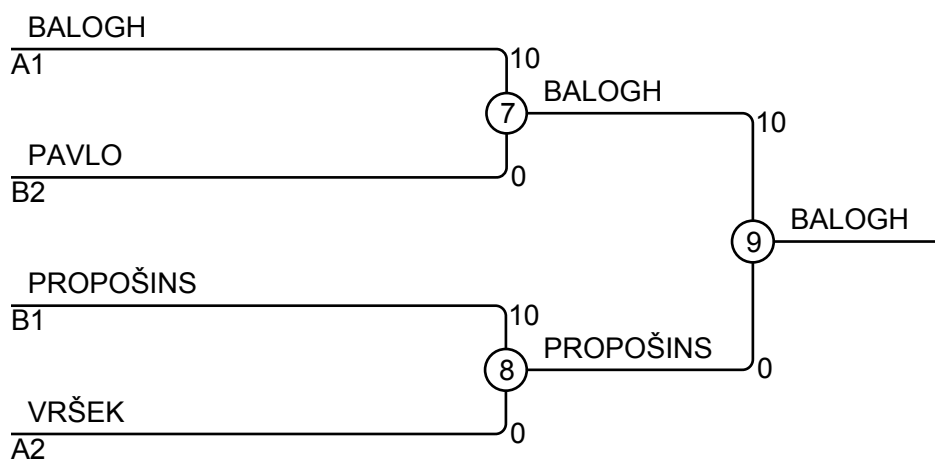
Match	White	Blue	Result	Time
1	Kolos BALOGH	1 2 JAKUB VRŠEK	10 - 0	0:42
3	Kolos BALOGH	1 3 NIHAT KARIMOV	5 - 0	3:00
5	JAKUB VRŠEK	2 3 NIHAT KARIMOV	10 - 0	0:16

Competitors B

#	Name	Grade	Club	4	5	6	Wins	Pts	Pos
4	Samuel PAVLO	?	MŠK Vranov n. T.		10		1	10	2
5	JAKUB VAVRA	?	JC HRADEC KRALOVE				0	0	3
6	KIRILS PROPOŠINS	?	LIEPAJAS KSS	10	10		2	20	1

Matches B

Match	White	Blue	Result	Time
2	Samuel PAVLO	4 5 JAKUB VAVRA	10 - 0	1:17
4	Samuel PAVLO	4 6 KIRILS PROPOŠINS	0 - 10	2:59
6	JAKUB VAVRA	5 6 KIRILS PROPOŠINS	0 - 10	0:25



Results

Pos	Name
1	Kolos BALOGH, Domasek
2	KIRILS PROPOŠINS, LIEPAJAS KSS
3	Samuel PAVLO, MŠK Vranov n. T.
3	JAKUB VRŠEK, TJ JUDO OSTRAVA

XLVI MVC 25.06.2015 MICHALOVCE MU15-42

Competitors: 6

Competitors A

#	Name	Grade	Club	1	2	3	Wins	Pts	Pos
1	KOLJA OPJAKIN	?	UŽHOROD 1		10		1	10	2
2	MIKOLAJ FILIPEK	?	MOSIR BOCHNIA				0	0	3
3	Tomáš DEMČÁK	?	MŠK Vranov n. T.	1	1		2	2	1

Matches A

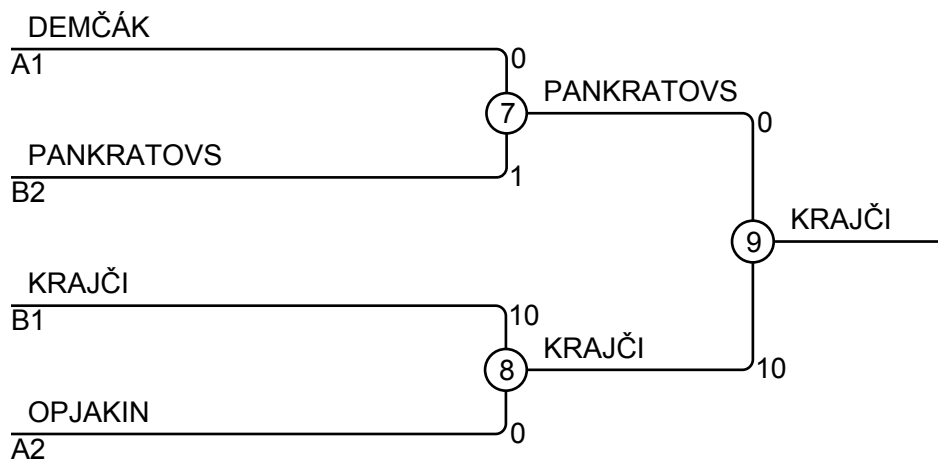
Match	White	Blue	Result	Time
1	KOLJA OPJAKIN 1 2	MIKOLAJ FILIPEK	10 - 0	1:22
3	KOLJA OPJAKIN 1 3	Tomáš DEMČÁK	0 - 1	6:16
5	MIKOLAJ FILIPEK 2 3	Tomáš DEMČÁK	0 - 1	3:00

Competitors B

#	Name	Grade	Club	4	5	6	Wins	Pts	Pos
4	MILOŠ KRAJČI	?	UMB BB		5	10	2	15	1
5	VIKTOR TSIHIKA	?	UŽHOROD 1				0	0	3
6	NIKOLAJS PANKRATOVŠ	?	LIEPAJAS KSS		10		1	10	2

Matches B

Match	White	Blue	Result	Time
2	MILOŠ KRAJČI 4 5	VIKTOR TSIHIKA	5 - 0	2:59
4	MILOŠ KRAJČI 4 6	NIKOLAJS PANKRATOVŠ	10 - 0	0:59
6	VIKTOR TSIHIKA 5 6	NIKOLAJS PANKRATOVŠ	0 - 10	1:54



Results

Pos	Name
1	MILOŠ KRAJČI, UMB BB
2	NIKOLAJS PANKRATOVŠ, LIEPAJAS KSS
3	Tomáš DEMČÁK, MŠK Vranov n. T.
3	KOLJA OPJAKIN, UŽHOROD 1

XLVI MVC 25.06.2015 MICHALOVCE MU15-46

Competitors: 5

Competitors

#	Name	Grade	Club	1	2	3	4	5	Wins	Pts	Pos
1	OLEKSANDR MIKULANINETS	?	UŽHOROD 1		7	10	10	10	4	37	1
2	VJAČESLAVS NANAKS	?	LIEPAJAS KSS			10		10	2	20	2
3	ONDREJ KOTLÁR	?	TJ JUDO OSTRAVA				10	10	2	20	3
4	BRANISLAV HANUDEL´	?	JC BARDEJOV		10			7	2	17	4
5	RIDVAN ISENI	?	TJ MLADOST PP						0	0	5

Matches

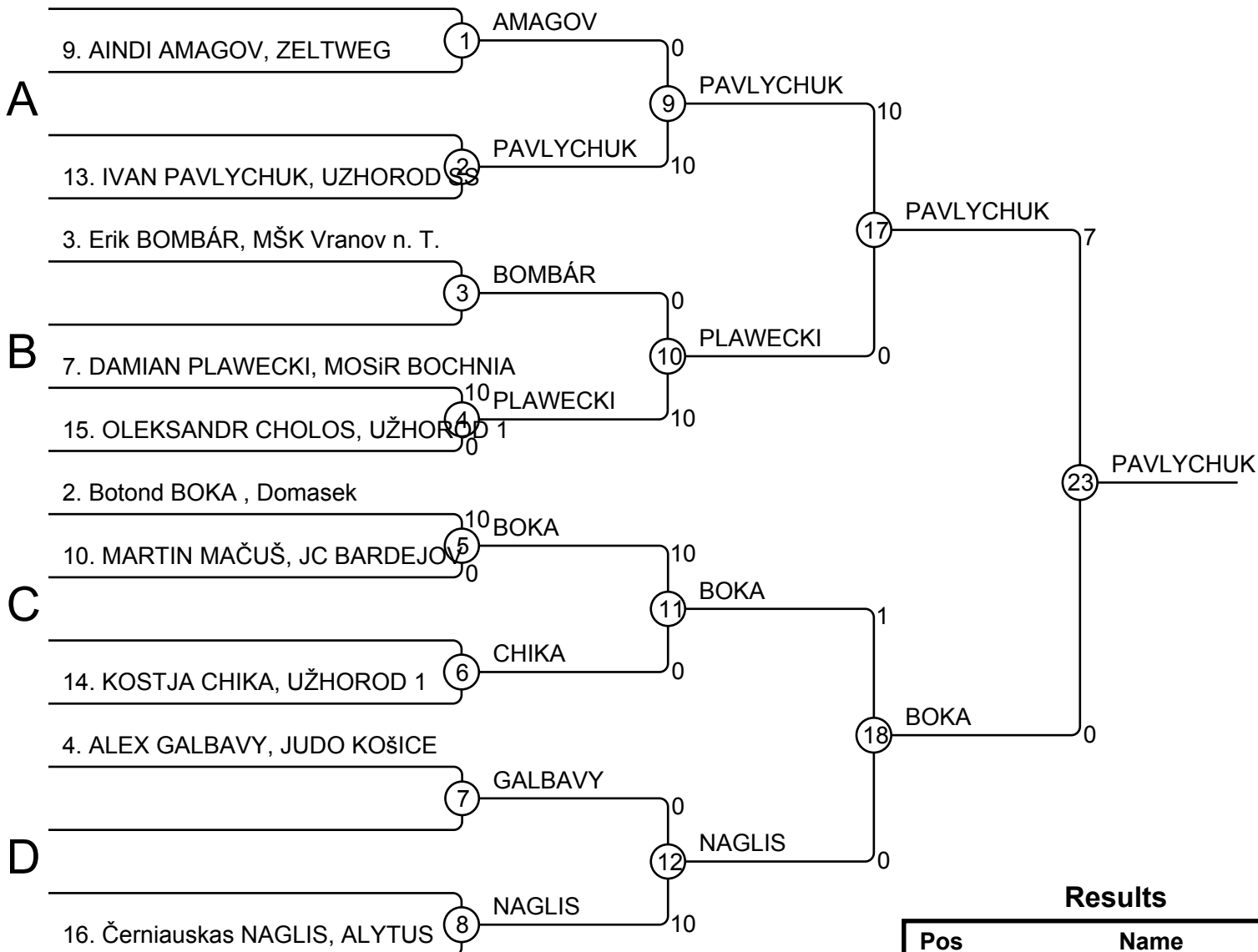
Match	White	Blue	Result	Time
1	BRANISLAV HANUDEL´	4 5 RIDVAN ISENI	7 - 0	3:00
2	OLEKSANDR MIKULANINETS	1 2 VJAČESLAVS NANAKS	7 - 0	3:00
3	ONDREJ KOTLÁR	3 4 BRANISLAV HANUDEL´	10 - 0	0:49
4	OLEKSANDR MIKULANINETS	1 5 RIDVAN ISENI	10 - 0	1:46
5	VJAČESLAVS NANAKS	2 3 ONDREJ KOTLÁR	10 - 0	3:00
6	OLEKSANDR MIKULANINETS	1 4 BRANISLAV HANUDEL´	10 - 0	0:20
7	ONDREJ KOTLÁR	3 5 RIDVAN ISENI	10 - 0	0:49
8	VJAČESLAVS NANAKS	2 4 BRANISLAV HANUDEL´	0 - 10	1:00
9	OLEKSANDR MIKULANINETS	1 3 ONDREJ KOTLÁR	10 - 0	0:46
10	VJAČESLAVS NANAKS	2 5 RIDVAN ISENI	10 - 0	0:52

Results

Pos	Name
1	OLEKSANDR MIKULANINETS, UŽHOROD 1
2	VJAČESLAVS NANAKS, LIEPAJAS KSS
3	ONDREJ KOTLÁR, TJ JUDO OSTRAVA
4	BRANISLAV HANUDEL´, JC BARDEJOV
5	RIDVAN ISENI, TJ MLADOST PP

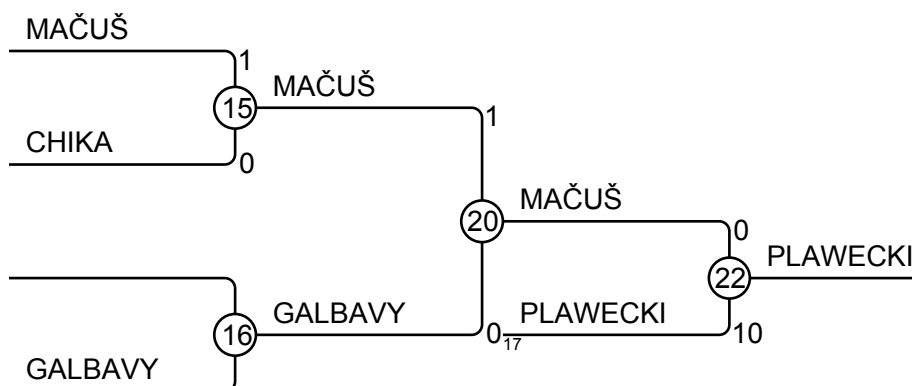
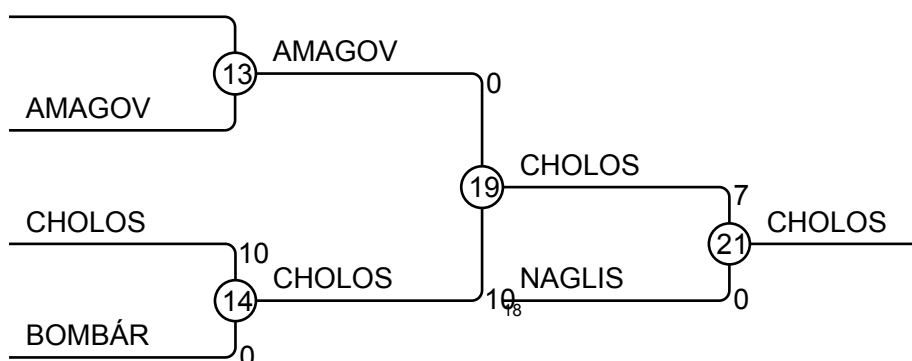
XLVI MVC 25.06.2015 MICHALOVCE MU15-50

Competitors: 10



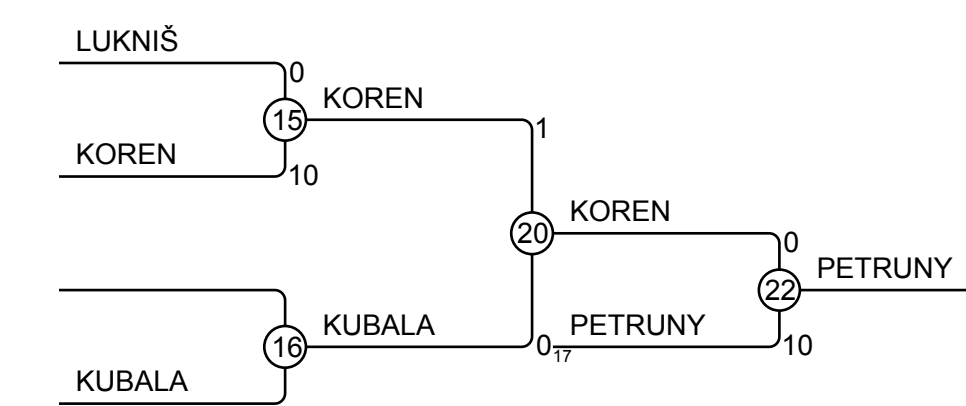
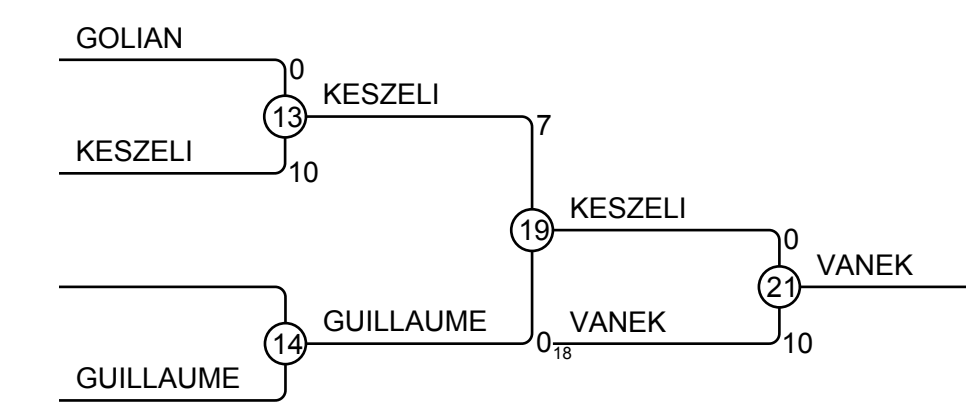
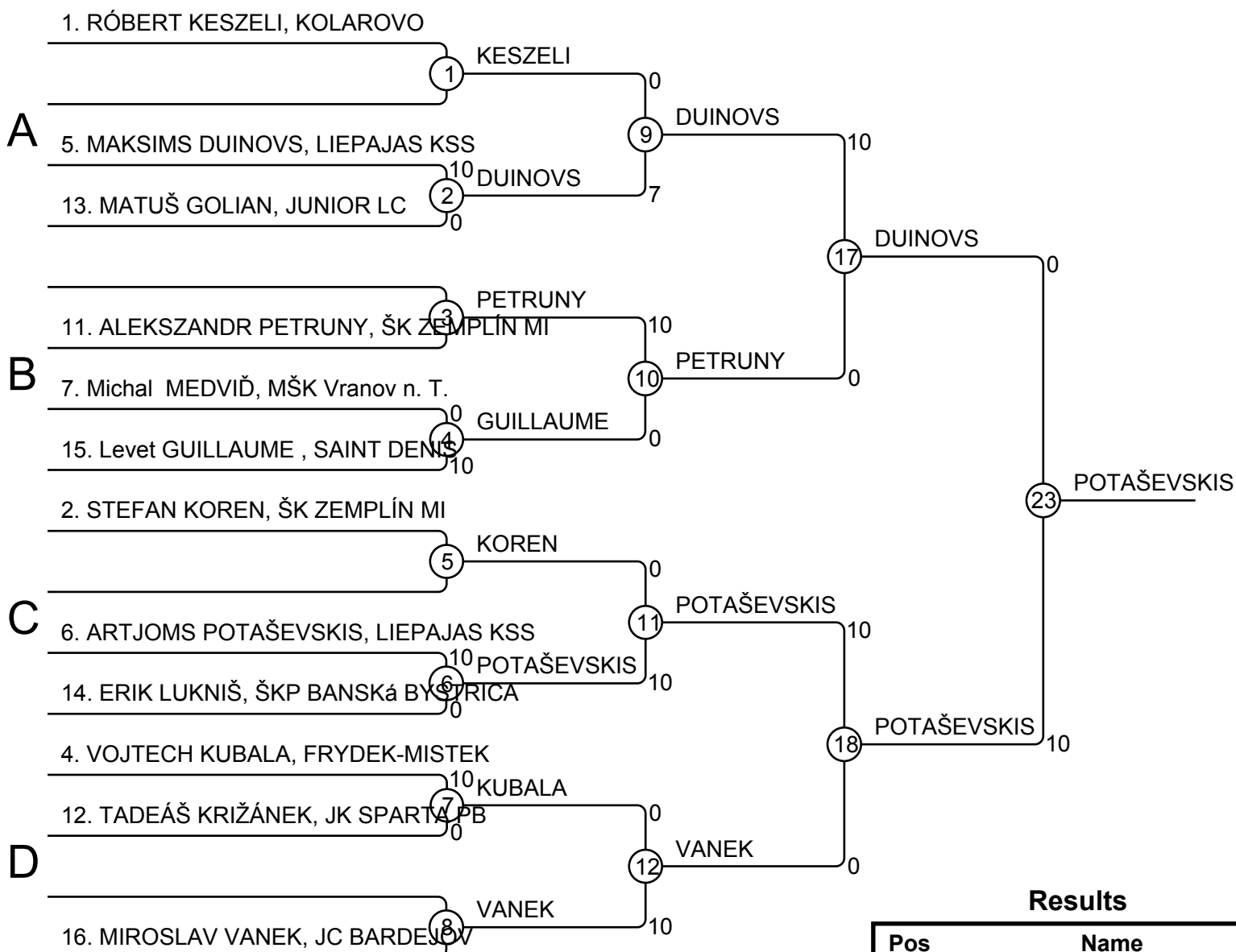
Results

Pos	Name
1	IVAN PAVLYCHUK, UZHOROD SS
2	Botond BOKA , Domasek
3	OLEKSANDR CHOLOS, UŽHOROD
3	DAMIAN PLawecki, MOSIR BOCHNIA
5	Černiauskas NAGLIS, ALYTUS
5	MARTIN MAČUŠ, JC BARDEJOV
7	AINDI AMAGOV, ZELTWEG
7	ALEX GALBAVY, JUDO KOŠICE



XLVI MVC 25.06.2015 MICHALOVCE MU15-55

Competitors: 12



Results

Pos	Name
1	ARTJOMS POTAŠEVSKIS, LIEPAJAS KSS
2	MAKSIMS DUINOVS, LIEPAJAS KSS
3	MIROSLAV VANEK, JC BARDEJOV
3	ALEKSZANDR PETRUNY, ŠK ZEMPLÍN MI
5	RÓBERT KESZELI, KOLAROVO
5	STEFAN KOREN, ŠK ZEMPLÍN MI
7	Levet GUILLAUME, SAINT DENIS
7	VOJTECH KUBALA, FRYDEK-MISTEK

XLVI MVC 25.06.2015 MICHALOVCE MU15-60

Competitors: 8

Competitors A

#	Name	Grade	Club	1	2	3	4	Wins	Pts	Pos
1	MÁRK ANGYAL	?	KOLAROVO					0	0	4
2	WIKTOR MATYKIEWICZ	?	MOSIR BOCHNIA	10			7	2	17	2
3	KAROL DUBSKÝ	?	1.JK PEZINOK	10	10		10	3	30	1
4	DANILS DJAKOVSKIS	?	LIEPAJAS KSS	10				1	10	3

Matches A

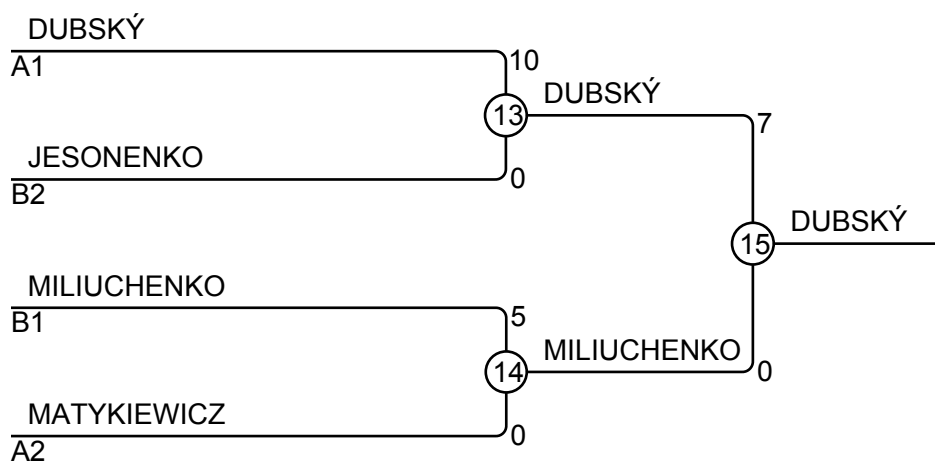
Match	White	Blue	Result	Time
1	MÁRK ANGYAL 1	WIKTOR MATYKIEWICZ 2	0 - 10	1:08
3	KAROL DUBSKÝ 3	DANILS DJAKOVSKIS 4	10 - 0	0:51
5	MÁRK ANGYAL 1	KAROL DUBSKÝ 3	0 - 10	1:01
7	WIKTOR MATYKIEWICZ 2	DANILS DJAKOVSKIS 4	7 - 0	3:00
9	MÁRK ANGYAL 1	DANILS DJAKOVSKIS 4	0 - 10	0:35
11	WIKTOR MATYKIEWICZ 2	KAROL DUBSKÝ 3	0 - 10	1:43

Competitors B

#	Name	Grade	Club	5	6	7	8	Wins	Pts	Pos
5	MILOŠ NEUVIRTH	?	DK SNV					0	0	4
6	DMITRIJS JESONENKO	?	LIEPAJAS KSS	10			10	2	20	2
7	ANDRIY MILIUCHENKO	?	UZHOROD2	10	10		10	3	30	1
8	SEBASTIAN ŠČERBA	?	TJ JUDO OSTRAVA	10				1	10	3

Matches B

Match	White	Blue	Result	Time
2	MILOŠ NEUVIRTH 5	DMITRIJS JESONENKO 6	0 - 10	0:15
4	ANDRIY MILIUCHENKO 7	SEBASTIAN ŠČERBA 8	10 - 0	0:26
6	MILOŠ NEUVIRTH 5	ANDRIY MILIUCHENKO 7	0 - 10	0:05
8	DMITRIJS JESONENKO 6	SEBASTIAN ŠČERBA 8	10 - 0	0:23
10	MILOŠ NEUVIRTH 5	SEBASTIAN ŠČERBA 8	0 - 10	0:28
12	DMITRIJS JESONENKO 6	ANDRIY MILIUCHENKO 7	0 - 10	0:37



Results

Pos	Name
1	KAROL DUBSKÝ, 1.JK PEZINOK
2	ANDRIY MILIUCHENKO, UZHOROD2
3	DMITRIJS JESONENKO, LIEPAJAS KSS
3	WIKTOR MATYKIEWICZ, MOSIR BOCHNIA

XLVI MVC 25.06.2015 MICHALOVCE MU15-66

Competitors: 5

Competitors

#	Name	Grade	Club	1	2	3	4	5	Wins	Pts	Pos
1	FILIP KURTYKA	?	MOSIR BOCHNIA					10	1	10	4
2	JEVGENIJ TARASOV	?	TJ MLADOST PP	10			5	10	3	25	2
3	VJAČESLAVS MELNIČENKO	?	LIEPAJAS KSS	10	10		10	10	4	40	1
4	Tudor MIHAI	?	CSS UNIREA IASI	1				10	2	11	3
5	Dominik ALBERT	?	ARAD						0	0	5

Matches

Match	White	Blue	Result	Time
1	Tudor MIHAI 4 5	Dominik ALBERT	10 - 0	0:37
2	FILIP KURTYKA 1 2	JEVGENIJ TARASOV	0 - 10	3:00
3	VJAČESLAVS MELNIČENKO 3 4	Tudor MIHAI	10 - 0	0:31
4	FILIP KURTYKA 1 5	Dominik ALBERT	10 - 0	0:37
5	JEVGENIJ TARASOV 2 3	VJAČESLAVS MELNIČENKO	0 - 10	2:44
6	FILIP KURTYKA 1 4	Tudor MIHAI	0 - 1	3:00
7	VJAČESLAVS MELNIČENKO 3 5	Dominik ALBERT	10 - 0	0:30
8	JEVGENIJ TARASOV 2 4	Tudor MIHAI	5 - 0	3:00
9	FILIP KURTYKA 1 3	VJAČESLAVS MELNIČENKO	0 - 10	0:38
10	JEVGENIJ TARASOV 2 5	Dominik ALBERT	10 - 0	0:38

Results

Pos	Name
1	VJAČESLAVS MELNIČENKO, LIEPAJAS KSS
2	JEVGENIJ TARASOV, TJ MLADOST PP
3	Tudor MIHAI, CSS UNIREA IASI
4	FILIP KURTYKA, MOSIR BOCHNIA
5	Dominik ALBERT, ARAD

XLVI MVC 25.06.2015 MICHALOVCE MU15-73

Competitors: 6

Competitors A

#	Name	Grade	Club	1	2	3	Wins	Pts	Pos
1	SIMON BARDAK	?	TJ SLÁVIA PU PO		10	10	2	20	1
2	Eduard GALL	?	ARAD			10	1	10	2
3	MICHAL VEREŠINSKY	?	JC BARDEJOV				0	0	3

Matches A

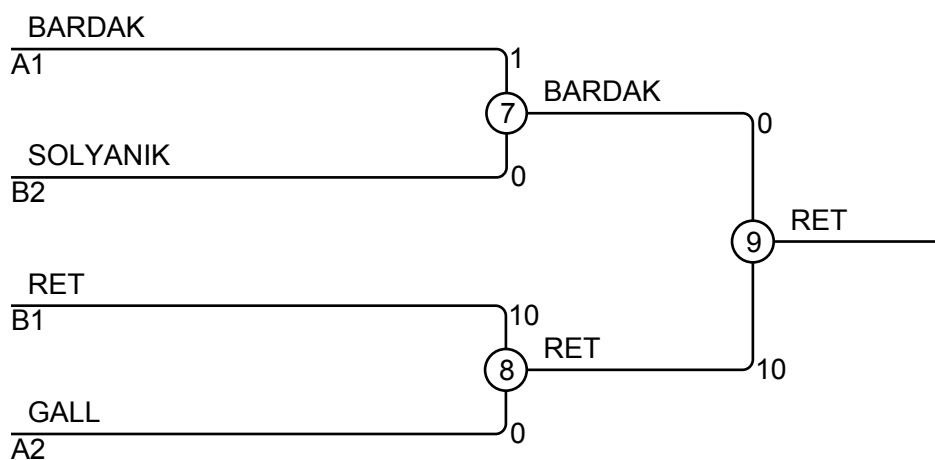
Match	White	Blue	Result	Time
1	SIMON BARDAK 1 2	Eduard GALL	10 - 0	2:24
3	SIMON BARDAK 1 3	MICHAL VEREŠINSKY	10 - 0	0:35
5	Eduard GALL 2 3	MICHAL VEREŠINSKY	10 - 0	0:33

Competitors B

#	Name	Grade	Club	4	5	6	Wins	Pts	Pos
4	SAMUEL RET	?	ŠKP BANSKÁ BYSTRICA		10	10	2	20	1
5	Gabriel POTOMA	?	MŠK Vranov n. T.				0	0	3
6	YEVGENIY SOLYANIK	?	UZHOROD SS		10		1	10	2

Matches B

Match	White	Blue	Result	Time
2	SAMUEL RET 4 5	Gabriel POTOMA	10 - 0	0:11
4	SAMUEL RET 4 6	YEVGENIY SOLYANIK	10 - 0	0:22
6	Gabriel POTOMA 5 6	YEVGENIY SOLYANIK	0 - 10	0:24



Results

Pos	Name
1	SAMUEL RET, ŠKP BANSKÁ BYSTRICA
2	SIMON BARDAK, TJ SLÁVIA PU PO
3	YEVGENIY SOLYANIK, UZHOROD SS
3	Eduard GALL, ARAD

XLVI MVC 25.06.2015 MICHALOVCE MU15+73

Competitors: 7

Competitors A

#	Name	Grade	Club	1	2	3	4	Wins	Pts	Pos
1	Lukáš PILZ	?	Mladost' RS		10	10	10	3	30	1
2	ADAM MAJCHROVIC	?	DK SNV					0	0	4
3	JAKUB KALOUS	?	JC HRADEC KRALOVE		10		10	2	20	2
4	ANDRIY MITSODA	?	UZHOROD SS		10			1	10	3

Matches A

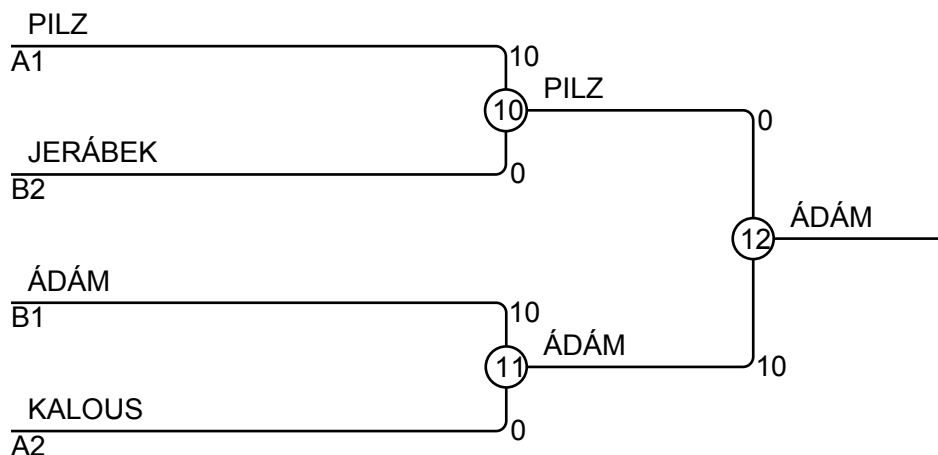
Match	White	Blue	Result	Time
1	Lukáš PILZ	ADAM MAJCHROVIC	10 - 0	0:38
2	JAKUB KALOUS	ANDRIY MITSODA	10 - 0	1:02
4	Lukáš PILZ	JAKUB KALOUS	10 - 0	0:06
5	ADAM MAJCHROVIC	ANDRIY MITSODA	0 - 10	1:47
7	Lukáš PILZ	ANDRIY MITSODA	10 - 0	0:47
8	ADAM MAJCHROVIC	JAKUB KALOUS	0 - 10	1:09

Competitors B

#	Name	Grade	Club	5	6	7	Wins	Pts	Pos
5	Viktor ÁDÁM	?	Mladost' RS		10	10	2	20	1
6	JIRI JERÁBEK	?	FRYDEK-MISTEK			10	1	10	2
7	JOZEF BIŽOŇ	?	TJ MLADOST PP				0	0	3

Matches B

Match	White	Blue	Result	Time
3	Viktor ÁDÁM	JIRI JERÁBEK	10 - 0	0:07
6	Viktor ÁDÁM	JOZEF BIŽOŇ	10 - 0	0:10
9	JIRI JERÁBEK	JOZEF BIŽOŇ	10 - 0	0:55



Results

Pos	Name
1	Viktor ÁDÁM, Mladost' RS
2	Lukáš PILZ, Mladost' RS
3	JIRI JERÁBEK, FRYDEK-MISTEK
3	JAKUB KALOUS, JC HRADEC KRALOVE