

VT Michalovce 49. 22.06.2019 Michalovce FU9-23

Competitors A

Competitors: 7

| # | Name | Grade | Club | 1 | 2 | 3 | 4 | Wins | Pts | Pos |
|---|----------------|-------|---------------|----|----|----|----|------|-----|-----|
| 1 | MOLNÁR Martin | ? | TJ MLADOST RS | | 10 | 10 | | 2 | 20 | 2 |
| 2 | HÁGEROVÁ Hanka | ? | 1 JC PEZINOK | | | 10 | | 1 | 10 | 3 |
| 3 | STAFEN OLIVER | ? | JC BARDEJOV | | | | 10 | 1 | 10 | 4 |
| 4 | KASIC NIKOL | ? | UZHOROD | 10 | 10 | | | 2 | 20 | 1 |

Matches A

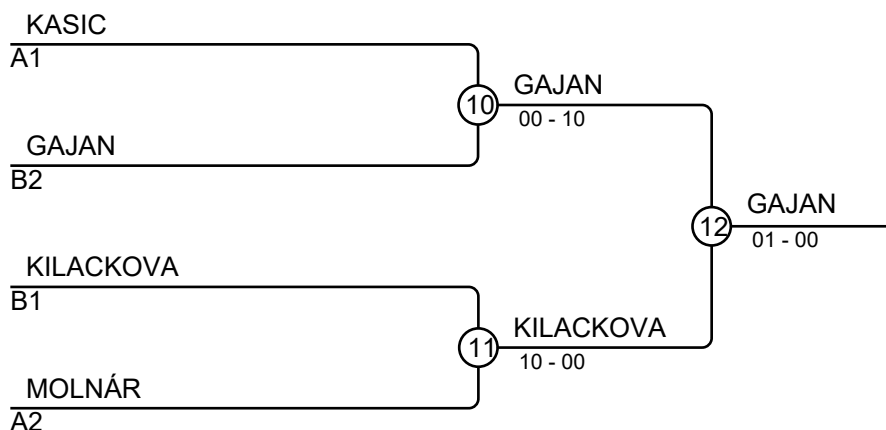
| Match | White | Blue | Result | Time |
|-------|--------------------|----------------|--------|------|
| 1 | MOLNÁR Martin 1 2 | HÁGEROVÁ Hanka | 10-00 | 0:15 |
| 2 | STAFEN OLIVER 3 4 | KASIC NIKOL | 10-00 | 0:17 |
| 4 | MOLNÁR Martin 1 3 | STAFEN OLIVER | 10-01 | 1:19 |
| 5 | HÁGEROVÁ Hanka 2 4 | KASIC NIKOL | 01-10 | 0:57 |
| 7 | MOLNÁR Martin 1 4 | KASIC NIKOL | 00-10 | 0:35 |
| 8 | HÁGEROVÁ Hanka 2 3 | STAFEN OLIVER | 10-00 | 0:30 |

Competitors B

| # | Name | Grade | Club | 5 | 6 | 7 | Wins | Pts | Pos |
|---|------------------|-------|--------------------|----|----|---|------|-----|-----|
| 5 | HUSMAN Tomáš | ? | TJ MLADOST RS | | | | 0 | 0 | 3 |
| 6 | GAJAN LUKAS | ? | TJ MLADOST PP | 10 | | | 1 | 10 | 2 |
| 7 | KILACKOVA SILVIA | ? | JK KATSUDO LUCENEC | 10 | 10 | | 2 | 20 | 1 |

Matches B

| Match | White | Blue | Result | Time |
|-------|------------------|------------------|--------|------|
| 3 | HUSMAN Tomáš 5 6 | GAJAN LUKAS | 00-11 | 0:44 |
| 6 | HUSMAN Tomáš 5 7 | KILACKOVA SILVIA | 00-10 | 0:17 |
| 9 | GAJAN LUKAS 6 7 | KILACKOVA SILVIA | 00-10 | 0:32 |



Results

| Pos | Name |
|-----|--------------------------------------|
| 1 | GAJAN LUKAS, TJ MLADOST PP |
| 2 | KILACKOVA SILVIA, JK KATSUDO LUCENEC |
| 3 | KASIC NIKOL, UZHOROD |
| 3 | MOLNÁR Martin, TJ MLADOST RS |

VT Michalovce 49. 22.06.2019 Michalovce FU9-26

Competitors

Competitors: 5

| # | Name | Grade | Club | 1 | 2 | 3 | 4 | 5 | Wins | Pts | Pos |
|---|------------------|-------|--------------|---|----|----|----|----|------|-----|-----|
| 1 | BOBITA OLEKSANDR | ? | IRSHAVA | | 10 | 10 | 10 | 10 | 4 | 40 | 1 |
| 2 | LAZAR MATUS | ? | JUDO MARTIN | | | 10 | 10 | 10 | 3 | 30 | 2 |
| 3 | POLÁKOVÁ Mária | ? | 1 JC PEZINOK | | | | | 10 | 1 | 10 | 4 |
| 4 | MILKO OLEKSANDR | ? | UZHOROD | | | 10 | | 10 | 2 | 20 | 3 |
| 5 | KARMAZIN YULIK | ? | UZHOROD | | | | | | 0 | 0 | 5 |

Matches

| Match | White | | Blue | | Result | Time |
|-------|------------------|---|------|-----------------|--------|------|
| 1 | MILKO OLEKSANDR | 4 | 5 | KARMAZIN YULIK | 10-00 | 1:16 |
| 2 | BOBITA OLEKSANDR | 1 | 2 | LAZAR MATUS | 10-00 | 1:08 |
| 3 | POLÁKOVÁ Mária | 3 | 4 | MILKO OLEKSANDR | 01-10 | 1:32 |
| 4 | BOBITA OLEKSANDR | 1 | 5 | KARMAZIN YULIK | 10-00 | 0:30 |
| 5 | LAZAR MATUS | 2 | 3 | POLÁKOVÁ Mária | 10-00 | 0:57 |
| 6 | BOBITA OLEKSANDR | 1 | 4 | MILKO OLEKSANDR | 10-00 | 0:53 |
| 7 | POLÁKOVÁ Mária | 3 | 5 | KARMAZIN YULIK | 10-01 | 0:34 |
| 8 | LAZAR MATUS | 2 | 4 | MILKO OLEKSANDR | 10-00 | 0:15 |
| 9 | BOBITA OLEKSANDR | 1 | 3 | POLÁKOVÁ Mária | 10-00 | 0:22 |
| 10 | LAZAR MATUS | 2 | 5 | KARMAZIN YULIK | 10-00 | 0:18 |

Results

| Pos | Name |
|-----|------------------------------|
| 1 | BOBITA OLEKSANDR, IRSHAVA |
| 2 | LAZAR MATUS, JUDO MARTIN |
| 3 | MILKO OLEKSANDR , UZHOROD |
| 4 | POLÁKOVÁ Mária, 1 JC PEZINOK |
| 5 | KARMAZIN YULIK, UZHOROD |

VT Michalovce 49. 22.06.2019 Michalovce FU9-29

Competitors

Competitors: 3

| # | Name | Grade | Club | 1 | 2 | 3 | Wins | Pts | Pos |
|---|-------------------|-------|---------------|---|---|---|------|-----|-----|
| 1 | HUROVA OLIVIA | ? | SK ZEMPLIN MI | | | | 0 | 0 | 3 |
| 2 | KOLAROVIC GABRIEL | ? | SK ZEMPLIN MI | 0 | | 1 | 2 | 1 | 1 |
| 3 | HAJNIK TIMOTEJ | ? | SK ZEMPLIN MI | 1 | | | 1 | 1 | 2 |

Matches

| Match | White | | | Blue | Result | Time |
|-------|-------------------|---|---|-------------------|--------|------|
| 1 | HUROVA OLIVIA | 1 | 2 | KOLAROVIC GABRIEL | 0-0 | 3:00 |
| 2 | HUROVA OLIVIA | 1 | 3 | HAJNIK TIMOTEJ | 00-01 | 2:50 |
| 3 | KOLAROVIC GABRIEL | 2 | 3 | HAJNIK TIMOTEJ | 01-00 | 2:19 |

Results

| Pos | Name |
|-----|----------------------------------|
| 1 | KOLAROVIC GABRIEL, SK ZEMPLIN MI |
| 2 | HAJNIK TIMOTEJ, SK ZEMPLIN MI |
| 3 | HUROVA OLIVIA, SK ZEMPLIN MI |

VT Michalovce 49. 22.06.2019 Michalovce MU9-17

Competitors

Competitors: 4

| # | Name | Grade | Club | 1 | 2 | 3 | 4 | Wins | Pts | Pos |
|---|---------------|-------|----------------------|---|----|----|----|------|-----|-----|
| 1 | HLOHIN SIMON | ? | SK ZEMPLIN MI | | 10 | 10 | 10 | 3 | 30 | 1 |
| 2 | MATTA DANIEL | ? | SK ZEMPLIN MI | | | 10 | 10 | 2 | 20 | 2 |
| 3 | DUHAR TEODOR | ? | JK DUBNICA NAD VAHOM | | | | 10 | 1 | 10 | 3 |
| 4 | MATTA DOMINIK | ? | SK ZEMPLIN MI | | | | | 0 | 0 | 4 |

Matches

| Match | White | Grade | Blue | Grade | Result | Time |
|-------|--------------|-------|---------------|-------|--------|------|
| 1 | HLOHIN SIMON | 1 | MATTA DANIEL | 2 | 10-00 | 0:26 |
| 2 | DUHAR TEODOR | 3 | MATTA DOMINIK | 4 | 10-01 | 1:11 |
| 3 | HLOHIN SIMON | 1 | DUHAR TEODOR | 3 | 10-00 | 0:05 |
| 4 | MATTA DANIEL | 2 | MATTA DOMINIK | 4 | 11-01 | 1:06 |
| 5 | HLOHIN SIMON | 1 | MATTA DOMINIK | 4 | 10-00 | 0:34 |
| 6 | MATTA DANIEL | 2 | DUHAR TEODOR | 3 | 11-00 | 0:18 |

Results

| Pos | Name |
|-----|------------------------------------|
| 1 | HLOHIN SIMON, SK ZEMPLIN MI |
| 2 | MATTA DANIEL, SK ZEMPLIN MI |
| 3 | DUHAR TEODOR, JK DUBNICA NAD VAHOM |
| 4 | MATTA DOMINIK, SK ZEMPLIN MI |

VT Michalovce 49. 22.06.2019 Michalovce MU9-21

Competitors

Competitors: 5

| # | Name | Grade | Club | 1 | 2 | 3 | 4 | 5 | Wins | Pts | Pos |
|---|----------------|-------|---------------------|---|----|----|----|---|------|-----|-----|
| 1 | BARTO MAROS | ? | SKP BANSKA BYSTRICA | | | 1 | 10 | | 2 | 11 | 2 |
| 2 | PRAMUKA ROMAN | ? | SPISSKA NOVA VES | 0 | | 10 | | | 2 | 10 | 3 |
| 3 | HOLUBKA MAKSIM | ? | UZHOROD | | | | 10 | | 1 | 10 | 4 |
| 4 | PALOČKO Marek | ? | JK KATSUDO POPRAD | | 10 | | | | 1 | 10 | 5 |
| 5 | LACIKA Enrico | ? | JK KATSUDO POPRAD | 0 | 10 | 10 | 10 | | 4 | 30 | 1 |

Matches

| Match | White | Blue | Result | Time |
|-------|--------------------|----------------|---------|------|
| 1 | PALOČKO Marek 4 5 | LACIKA Enrico | 00-10 | 1:03 |
| 2 | BARTO MAROS 1 2 | PRAMUKA ROMAN | 00s1-00 | 4:00 |
| 3 | HOLUBKA MAKSIM 3 4 | PALOČKO Marek | 10-01 | 2:25 |
| 4 | BARTO MAROS 1 5 | LACIKA Enrico | 0-0 | 3:00 |
| 5 | PRAMUKA ROMAN 2 3 | HOLUBKA MAKSIM | 10-00 | 0:35 |
| 6 | BARTO MAROS 1 4 | PALOČKO Marek | 10s1-00 | 1:15 |
| 7 | HOLUBKA MAKSIM 3 5 | LACIKA Enrico | 00-10 | 0:35 |
| 8 | PRAMUKA ROMAN 2 4 | PALOČKO Marek | 00-10 | 0:25 |
| 9 | BARTO MAROS 1 3 | HOLUBKA MAKSIM | 01-00 | 2:00 |
| 10 | PRAMUKA ROMAN 2 5 | LACIKA Enrico | 01-10 | 1:26 |

Results

| Pos | Name |
|-----|----------------------------------|
| 1 | LACIKA Enrico, JK KATSUDO POPRAD |
| 2 | BARTO MAROS, SKP BANSKA BYSTRICA |
| 3 | PRAMUKA ROMAN, SPISSKA NOVA VES |
| 4 | HOLUBKA MAKSIM, UZHOROD |
| 5 | PALOČKO Marek, JK KATSUDO POPRAD |

VT Michalovce 49. 22.06.2019 Michalovce MU9-24

Competitors A

Competitors: 7

| # | Name | Grade | Club | 1 | 2 | 3 | 4 | Wins | Pts | Pos |
|---|--------------------|-------|---------------|----|----|----|---|------|-----|-----|
| 1 | CVERCKO RICHARD | ? | SK ZEMPLIN MI | | | | | 0 | 0 | 4 |
| 2 | MARKOVICS Adam | ? | 1 JC PEZINOK | 10 | | 10 | | 2 | 20 | 2 |
| 3 | ZABOLOTSKYI DANYLO | ? | KOLOS | 10 | | | | 1 | 10 | 3 |
| 4 | SOROKA DAVID | ? | JC BARDEJOV | 10 | 10 | 10 | | 3 | 30 | 1 |

Matches A

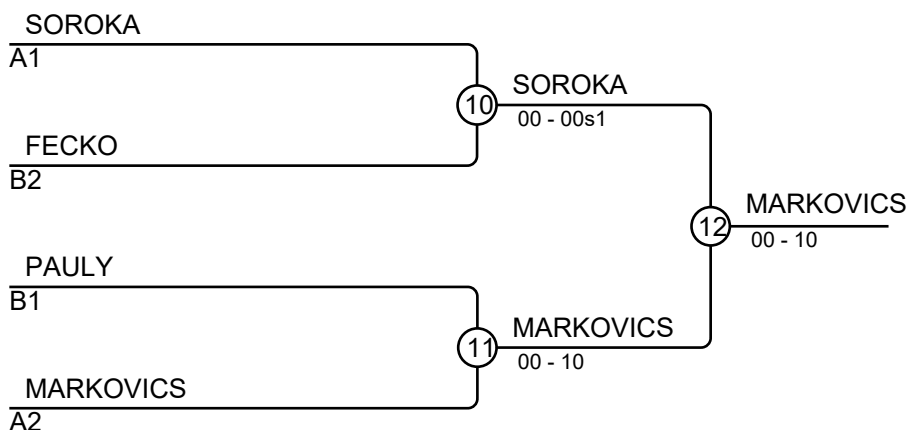
| Match | White | Grade | Blue | Result | Time |
|-------|--------------------|-------|--------------------|--------|------|
| 1 | CVERCKO RICHARD | 1 2 | MARKOVICS Adam | 00-10 | 0:05 |
| 2 | ZABOLOTSKYI DANYLO | 3 4 | SOROKA DAVID | 00-11 | 1:04 |
| 4 | CVERCKO RICHARD | 1 3 | ZABOLOTSKYI DANYLO | 00-11 | 0:14 |
| 5 | MARKOVICS Adam | 2 4 | SOROKA DAVID | 00-10 | 1:36 |
| 7 | CVERCKO RICHARD | 1 4 | SOROKA DAVID | 00-10 | 0:38 |
| 8 | MARKOVICS Adam | 2 3 | ZABOLOTSKYI DANYLO | 10-01 | 2:00 |

Competitors B

| # | Name | Grade | Club | 5 | 6 | 7 | Wins | Pts | Pos |
|---|----------------|-------|--------------------|----|---|---|------|-----|-----|
| 5 | PETERGAC TOMAS | ? | JC ROZNAVA TJ ELAN | | | | 0 | 0 | 3 |
| 6 | PAULY Matyi | ? | TJ MLADOST RS | 10 | | 1 | 2 | 11 | 1 |
| 7 | FECKO RICHARD | ? | SK ZEMPLIN MI | 1 | | | 1 | 1 | 2 |

Matches B

| Match | White | Grade | Blue | Result | Time |
|-------|----------------|-------|---------------|--------|------|
| 3 | PETERGAC TOMAS | 5 6 | PAULY Matyi | 00-10 | 0:23 |
| 6 | PETERGAC TOMAS | 5 7 | FECKO RICHARD | 00-01 | 2:00 |
| 9 | PAULY Matyi | 6 7 | FECKO RICHARD | 01-00 | 2:00 |



Results

| Pos | Name |
|-----|------------------------------|
| 1 | MARKOVICS Adam, 1 JC PEZINOK |
| 2 | SOROKA DAVID, JC BARDEJOV |
| 3 | FECKO RICHARD, SK ZEMPLIN MI |
| 3 | PAULY Matyi, TJ MLADOST RS |

VT Michalovce 49. 22.06.2019 Michalovce MU9-27

Competitors A

Competitors: 7

| # | Name | Grade | Club | 1 | 2 | 3 | 4 | Wins | Pts | Pos |
|---|-----------------|-------|--------------------|----|----|---|----|------|-----|-----|
| 1 | SIVACKO SIMON | ? | SPISSKA NOVA VES | | | | 10 | 1 | 10 | 3 |
| 2 | DOPIRAK OLIVER | ? | JK SLAVIA SOBRANCE | 10 | | | 10 | 2 | 20 | 2 |
| 3 | SASVÁRI Richard | ? | Junior Lučenec | 10 | 10 | | 10 | 3 | 30 | 1 |
| 4 | FILCIK MILAN | ? | JK KATSUDO LUCENEC | | | | | 0 | 0 | 4 |

Matches A

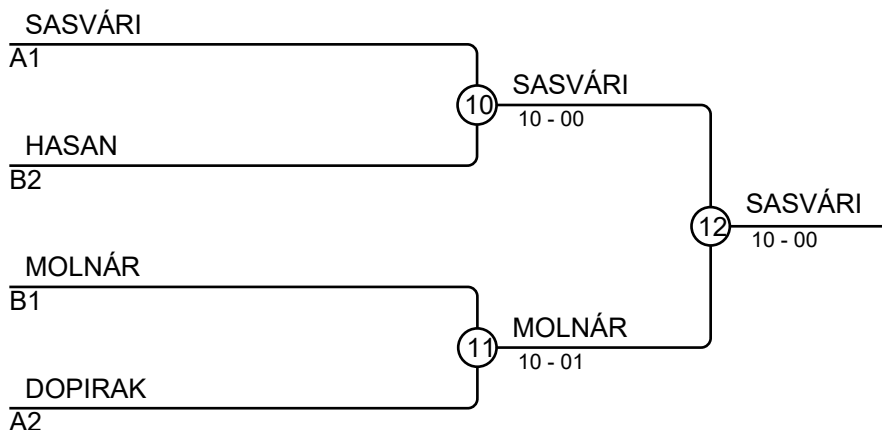
| Match | White | Blue | Result | Time |
|-------|---------------------|-----------------|--------|------|
| 1 | SIVACKO SIMON 1 2 | DOPIRAK OLIVER | 00-10 | 0:18 |
| 2 | SASVÁRI Richard 3 4 | FILCIK MILAN | 10-00 | 0:20 |
| 4 | SIVACKO SIMON 1 3 | SASVÁRI Richard | 00-10 | 0:33 |
| 5 | DOPIRAK OLIVER 2 4 | FILCIK MILAN | 10-00 | 1:36 |
| 7 | SIVACKO SIMON 1 4 | FILCIK MILAN | 10-00 | 0:52 |
| 8 | DOPIRAK OLIVER 2 3 | SASVÁRI Richard | 00-10 | 0:54 |

Competitors B

| # | Name | Grade | Club | 5 | 6 | 7 | Wins | Pts | Pos |
|---|----------------|-------|-------------------|----|----|---|------|-----|-----|
| 5 | HASAN Galko | ? | JK KATSUDO POPRAD | | 10 | | 1 | 10 | 2 |
| 6 | PJONTEK VRATKO | ? | SPISSKA NOVA VES | | | | 0 | 0 | 3 |
| 7 | MOLNÁR Adam | ? | 1 JC PEZINOK | 10 | 10 | | 2 | 20 | 1 |

Matches B

| Match | White | Blue | Result | Time |
|-------|--------------------|----------------|--------|------|
| 3 | HASAN Galko 5 6 | PJONTEK VRATKO | 10-01 | 1:53 |
| 6 | HASAN Galko 5 7 | MOLNÁR Adam | 00-10 | 0:04 |
| 9 | PJONTEK VRATKO 6 7 | MOLNÁR Adam | 00-10 | 0:25 |



Results

| Pos | Name |
|-----|------------------------------------|
| 1 | SASVÁRI Richard, Junior Lučenec |
| 2 | MOLNÁR Adam, 1 JC PEZINOK |
| 3 | HASAN Galko, JK KATSUDO POPRAD |
| 3 | DOPIRAK OLIVER, JK SLAVIA SOBRANCE |

VT Michalovce 49. 22.06.2019 Michalovce MU9-30

Competitors A

Competitors: 7

| # | Name | Grade | Club | 1 | 2 | 3 | 4 | Wins | Pts | Pos |
|---|-----------------|-------|-------------------|----|----|---|----|------|-----|-----|
| 1 | KULKA TOMAS | ? | JC BARDEJOV | | | | | 0 | 0 | 4 |
| 2 | JANKOVICH VADIM | ? | UZHOROD | 10 | | | 10 | 2 | 20 | 2 |
| 3 | GALA OLIVER | ? | SK ZEMPLIN MI | 10 | 10 | | 10 | 3 | 30 | 1 |
| 4 | PIROŽEK Matej | ? | JK KATSUDO POPRAD | 10 | | | | 1 | 10 | 3 |

Matches A

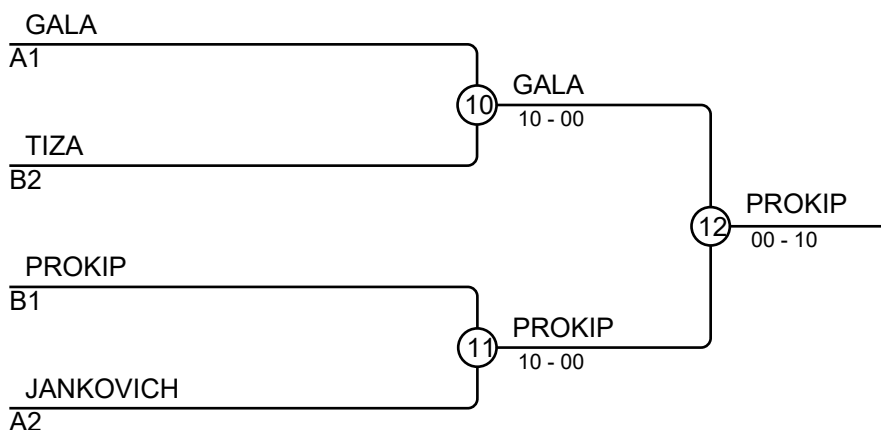
| Match | White | Grade | Blue | Result | Time |
|-------|-----------------|-------|-----------------|--------|------|
| 1 | KULKA TOMAS | 1 2 | JANKOVICH VADIM | 00-10 | 0:07 |
| 2 | GALA OLIVER | 3 4 | PIROŽEK Matej | 10-00 | 0:21 |
| 4 | KULKA TOMAS | 1 3 | GALA OLIVER | 00-10 | 0:10 |
| 5 | JANKOVICH VADIM | 2 4 | PIROŽEK Matej | 10-00 | 0:23 |
| 7 | KULKA TOMAS | 1 4 | PIROŽEK Matej | 00-11 | 0:30 |
| 8 | JANKOVICH VADIM | 2 3 | GALA OLIVER | 00-10 | 0:04 |

Competitors B

| # | Name | Grade | Club | 5 | 6 | 7 | Wins | Pts | Pos |
|---|-------------------|-------|---------------|----|----|---|------|-----|-----|
| 5 | MARTINKOVÁ Olívia | ? | TJ MLADOST RS | | | | 0 | 0 | 3 |
| 6 | TIZA TEODOR | ? | SK ZEMPLIN MI | 10 | | | 1 | 10 | 2 |
| 7 | PROKIP MARIAN | ? | JC BARDEJOV | 10 | 10 | | 2 | 20 | 1 |

Matches B

| Match | White | Grade | Blue | Result | Time |
|-------|-------------------|-------|---------------|--------|------|
| 3 | MARTINKOVÁ Olívia | 5 6 | TIZA TEODOR | 00-10 | 3:00 |
| 6 | MARTINKOVÁ Olívia | 5 7 | PROKIP MARIAN | 00-10 | 0:36 |
| 9 | TIZA TEODOR | 6 7 | PROKIP MARIAN | 00-10 | 0:04 |



Results

| Pos | Name |
|-----|----------------------------|
| 1 | PROKIP MARIAN, JC BARDEJOV |
| 2 | GALA OLIVER, SK ZEMPLIN MI |
| 3 | TIZA TEODOR, SK ZEMPLIN MI |
| 3 | JANKOVICH VADIM, UZHOROD |

VT Michalovce 49. 22.06.2019 Michalovce MU9-33

Competitors A

Competitors: 6

| # | Name | Grade | Club | 1 | 2 | 3 | Wins | Pts | Pos |
|---|----------------|-------|-------------------|----|----|---|------|-----|-----|
| 1 | KROTÁK Samuel | ? | JK KATSUDO POPRAD | | 10 | | 1 | 10 | 2 |
| 2 | CEHULOVA TIMEA | ? | TJ MLADOST PP | | | | 0 | 0 | 3 |
| 3 | NEZBEDA PATRIK | ? | JK LEVICE | 10 | 10 | | 2 | 20 | 1 |

Matches A

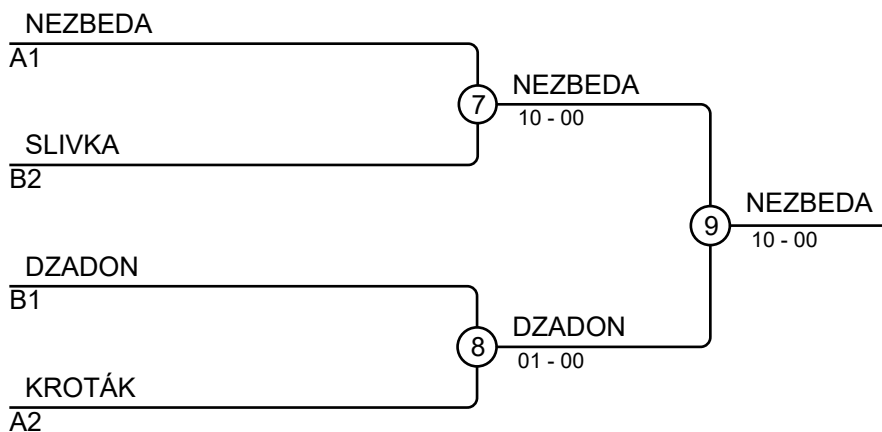
| Match | White | Blue | Result | Time |
|-------|--------------------|----------------|--------|------|
| 1 | KROTÁK Samuel 1 2 | CEHULOVA TIMEA | 10-00 | 0:28 |
| 3 | KROTÁK Samuel 1 3 | NEZBEDA PATRIK | 00-10 | 0:51 |
| 5 | CEHULOVA TIMEA 2 3 | NEZBEDA PATRIK | 00-10 | 0:06 |

Competitors B

| # | Name | Grade | Club | 4 | 5 | 6 | Wins | Pts | Pos |
|---|---------------|-------|-------------------|---|---|----|------|-----|-----|
| 4 | DZADON NIKITA | ? | TJ MLADOST PP | | 1 | 10 | 2 | 11 | 1 |
| 5 | SLIVKA Martin | ? | JK KATSUDO POPRAD | | | 10 | 1 | 10 | 2 |
| 6 | KALAS MATE | ? | MISKOLC | | | | 0 | 0 | 3 |

Matches B

| Match | White | Blue | Result | Time |
|-------|-------------------|---------------|--------|------|
| 2 | DZADON NIKITA 4 5 | SLIVKA Martin | 01-00 | 2:19 |
| 4 | DZADON NIKITA 4 6 | KALAS MATE | 10-00 | 1:15 |
| 6 | SLIVKA Martin 5 6 | KALAS MATE | 10-00 | 0:48 |



Results

| Pos | Name |
|-----|----------------------------------|
| 1 | NEZBEDA PATRIK, JK LEVICE |
| 2 | DZADON NIKITA, TJ MLADOST PP |
| 3 | SLIVKA Martin, JK KATSUDO POPRAD |
| 3 | KROTÁK Samuel, JK KATSUDO POPRAD |

VT Michalovce 49. 22.06.2019 Michalovce MU9-36

Competitors A

Competitors: 7

| # | Name | Grade | Club | 1 | 2 | 3 | 4 | Wins | Pts | Pos |
|---|--------------|-------|--------------------|---|----|----|----|------|-----|-----|
| 1 | VARGA SIMON | ? | JK SLAVIA SOBRANCE | | 10 | 1 | 10 | 3 | 21 | 1 |
| 2 | STANKO ADAM | ? | SPISSKA NOVA VES | | | 10 | 10 | 2 | 20 | 2 |
| 3 | ZAJAC SAMUEL | ? | SK ZEMPLIN MI | | | | 1 | 1 | 1 | 3 |
| 4 | FÁBER Noel | ? | JK KATSUDO POPRAD | | | | | 0 | 0 | 4 |

Matches A

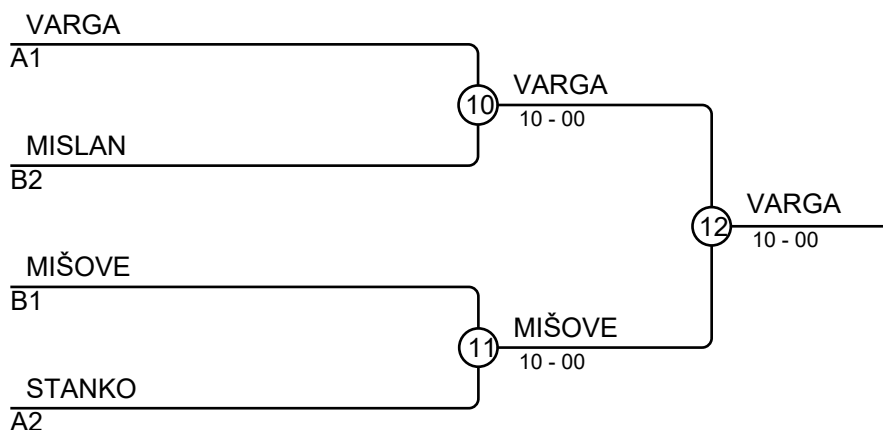
| Match | White | Blue | Result | Time |
|-------|------------------|--------------|-----------|------|
| 1 | VARGA SIMON 1 2 | STANKO ADAM | 10-00 | 0:07 |
| 2 | ZAJAC SAMUEL 3 4 | FÁBER Noel | 01s1-00s1 | 2:57 |
| 4 | VARGA SIMON 1 3 | ZAJAC SAMUEL | 01-00 | 2:10 |
| 5 | STANKO ADAM 2 4 | FÁBER Noel | 10-01 | 0:35 |
| 7 | VARGA SIMON 1 4 | FÁBER Noel | 10-00 | 0:07 |
| 8 | STANKO ADAM 2 3 | ZAJAC SAMUEL | 10-00 | 1:22 |

Competitors B

| # | Name | Grade | Club | 5 | 6 | 7 | Wins | Pts | Pos |
|---|--------------|-------|--------------------|---|----|----|------|-----|-----|
| 5 | MIŠOVE Adam | ? | TJ MLADOST RS | | 10 | 10 | 2 | 20 | 1 |
| 6 | BLAHUT MAROS | ? | SPISSKA NOVA VES | | | | 0 | 0 | 3 |
| 7 | MISLAN SIMON | ? | JK SLAVIA SOBRANCE | | 10 | | 1 | 10 | 2 |

Matches B

| Match | White | Blue | Result | Time |
|-------|------------------|--------------|---------|------|
| 3 | MIŠOVE Adam 5 6 | BLAHUT MAROS | 10-00 | 1:38 |
| 6 | MIŠOVE Adam 5 7 | MISLAN SIMON | 10-00 | 1:17 |
| 9 | BLAHUT MAROS 6 7 | MISLAN SIMON | 00s1-10 | 1:21 |



Results

| Pos | Name |
|-----|----------------------------------|
| 1 | VARGA SIMON, JK SLAVIA SOBRANCE |
| 2 | MIŠOVE Adam, TJ MLADOST RS |
| 3 | MISLAN SIMON, JK SLAVIA SOBRANCE |
| 3 | STANKO ADAM, SPISSKA NOVA VES |

VT Michalovce 49. 22.06.2019 Michalovce MU9-40

Competitors

Competitors: 2

| # | Name | Grade | Club | 1 | 2 | 1 | 2 | 1 | 2 | Wins | Pts | Pos |
|---|-------------------|-------|------------------|----|---|----|---|---|---|------|-----|-----|
| 1 | BARTOS MATUS | ? | SPISSKA NOVA VES | | | | | | | 0 | 0 | 2 |
| 2 | NEMESNYIK FLORIAN | ? | MISKOLC | 10 | | 10 | | | | 2 | 20 | 1 |

Matches

| Match | White | Grade | Blue | Result | Time |
|-------|--------------|-------|-------------------|---------|------|
| 1 | BARTOS MATUS | 1 2 | NEMESNYIK FLORIAN | 00-10 | 0:05 |
| 2 | BARTOS MATUS | 1 2 | NEMESNYIK FLORIAN | 00s1-10 | 0:40 |
| 3 | BARTOS MATUS | 1 2 | NEMESNYIK FLORIAN | | |

Results

| Pos | Name |
|-----|--------------------------------|
| 1 | NEMESNYIK FLORIAN, MISKOLC |
| 2 | BARTOS MATUS, SPISSKA NOVA VES |

VT Michalovce 49. 22.06.2019 Michalovce FU11+63

Competitors

Competitors: 1

| # | Name | Grade | Club | 1 | Wins | Pts | Pos |
|---|-------------|-------|---------|---|------|-----|-----|
| 1 | PAVEL PETRA | ? | MISKOLC | | 0 | 0 | 1 |

Matches

| Match | White | Blue | Result | Time |
|-------|-------|------|--------|------|
|-------|-------|------|--------|------|

Results

| Pos | Name |
|-----|----------------------|
| 1 | PAVEL PETRA, MISKOLC |

VT Michalovce 49. 22.06.2019 Michalovce FU11-27

Competitors

Competitors: 4

| # | Name | Grade | Club | 1 | 2 | 3 | 4 | Wins | Pts | Pos |
|---|-------------------|-------|-------------------|----|----|----|---|------|-----|-----|
| 1 | BIGANIC HUGO | ? | SPISSKA NOVA VES | | | 10 | | 1 | 10 | 3 |
| 2 | SOROKOVA KRISTINA | ? | JC BARDEJOV | 10 | | 10 | | 2 | 20 | 2 |
| 3 | SIPOVA ALZBETA | ? | JC HRADEC KRALOVE | | | | | 0 | 0 | 4 |
| 4 | LACIKA Silvio | ? | JK KATSUDO POPRAD | 10 | 10 | 10 | | 3 | 30 | 1 |

Matches

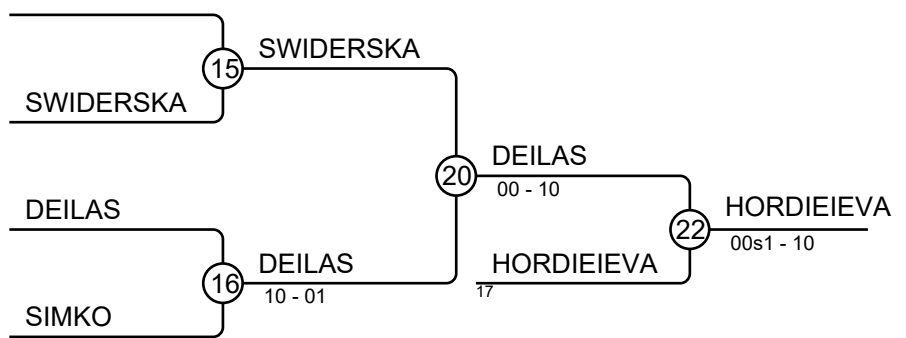
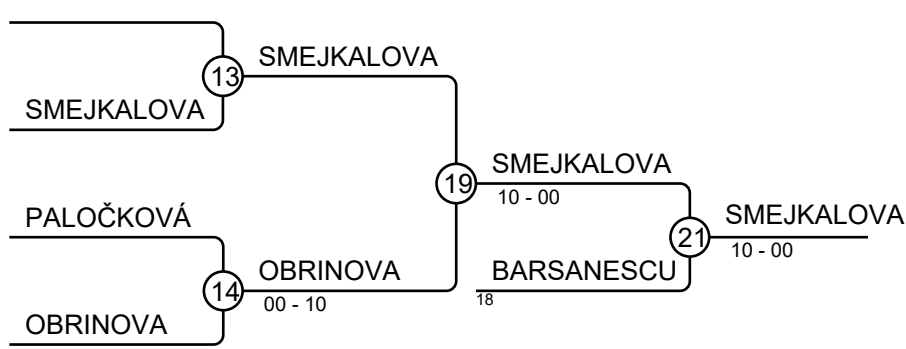
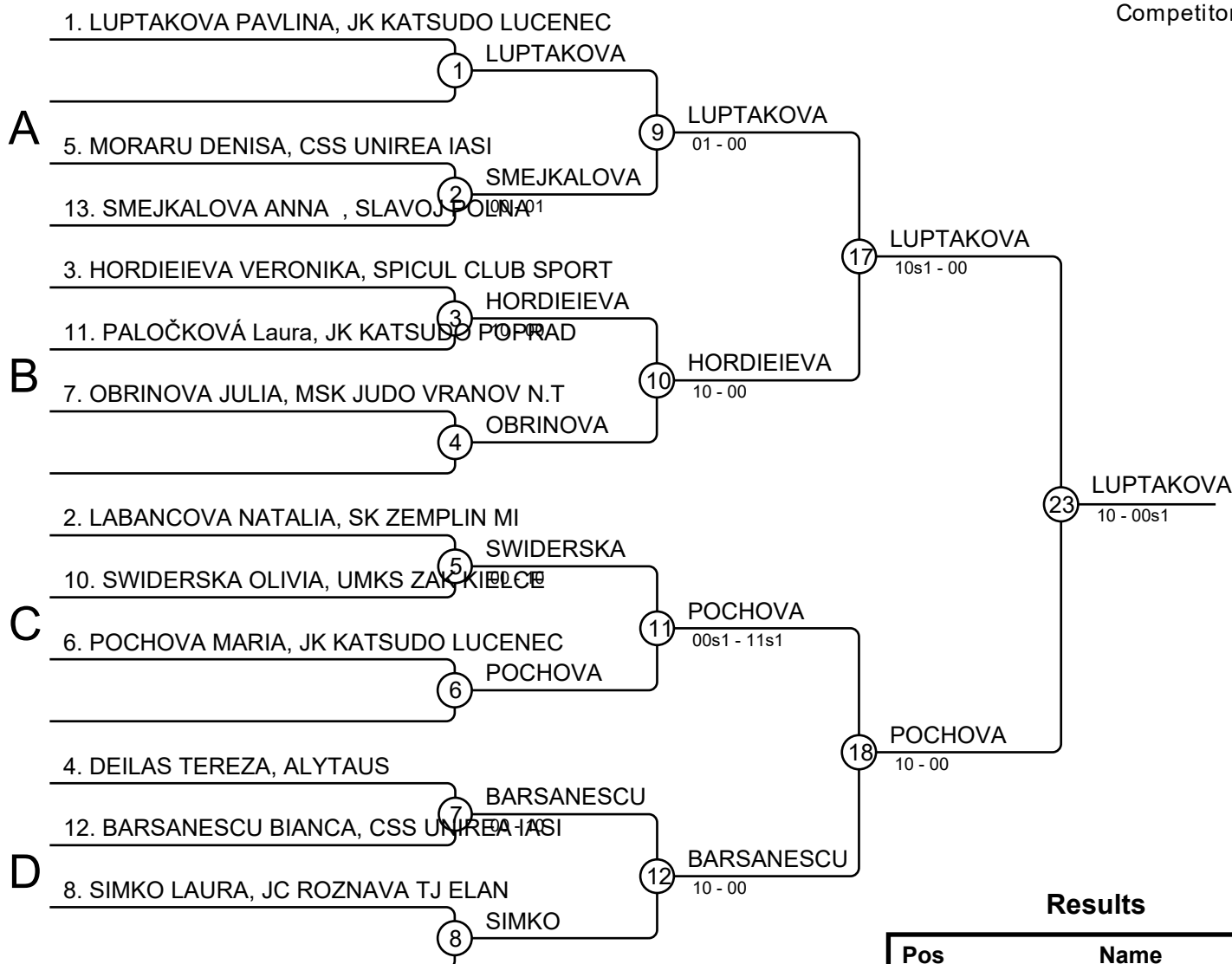
| Match | White | Grade | Blue | Result | Time |
|-------|-------------------|-------|-------------------|--------|------|
| 1 | BIGANIC HUGO | 1 2 | SOROKOVA KRISTINA | 00-10 | 0:07 |
| 2 | SIPOVA ALZBETA | 3 4 | LACIKA Silvio | 00-10 | 0:17 |
| 3 | BIGANIC HUGO | 1 3 | SIPOVA ALZBETA | 10-00 | 0:44 |
| 4 | SOROKOVA KRISTINA | 2 4 | LACIKA Silvio | 01-10 | 1:07 |
| 5 | BIGANIC HUGO | 1 4 | LACIKA Silvio | 00-10 | 0:25 |
| 6 | SOROKOVA KRISTINA | 2 3 | SIPOVA ALZBETA | 10-00 | 0:26 |

Results

| Pos | Name |
|-----|-----------------------------------|
| 1 | LACIKA Silvio, JK KATSUDO POPRAD |
| 2 | SOROKOVA KRISTINA, JC BARDEJOV |
| 3 | BIGANIC HUGO, SPISSKA NOVA VES |
| 4 | SIPOVA ALZBETA, JC HRADEC KRALOVE |

VT Michalovce 49. 22.06.2019 Michalovce FU11-30

Competitors: 12



Results

| Pos | Name |
|-----|----------------------------------------|
| 1 | LUPTAKOVA PAVLINA, JK KATSUDO LUCENEC |
| 2 | POCHOVA MARIA, JK KATSUDO LUCENEC |
| 3 | SMEJKALOVA ANNA, SLAVOJ POLINA |
| 3 | HORDIEIEVA VERONIKA, SPICUL CLUB SPORT |
| 5 | BARSANESCU BIANCA, CSS UNIREA IASI |
| 5 | DEILAS TEREZA, ALYTAUS |
| 7 | OBRINOVA JULIA, MSK JUDO VRANOV N.T |
| 7 | SWIDERSKA OLIVIA, UMKS ZAK KIELCE |

VT Michalovce 49. 22.06.2019 Michalovce FU11-34

Competitors A

Competitors: 7

| # | Name | Grade | Club | 1 | 2 | 3 | 4 | Wins | Pts | Pos |
|---|---------------------|-------|--------------|----|---|----|----|------|-----|-----|
| 1 | RECMANOVA JOHANA | ? | TJ OSTRAVA | | | 10 | 10 | 2 | 20 | 2 |
| 2 | LEHOTKAIIOVA ZUZANA | ? | JK LEVICE | 10 | | 10 | 10 | 3 | 30 | 1 |
| 3 | PRYIMA DARYINA | ? | IRSHAVA | | | | 10 | 1 | 10 | 3 |
| 4 | KUBOVOVÁ Kristína | ? | 1 JC PEZINOK | | | | | 0 | 0 | 4 |

Matches A

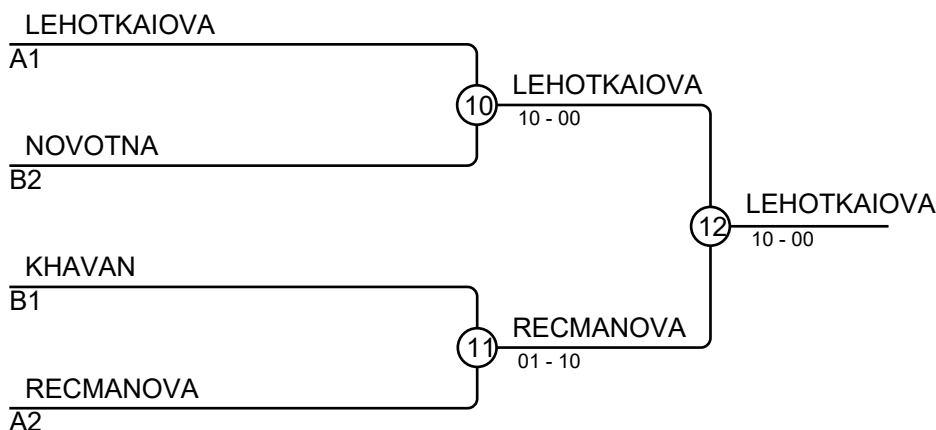
| Match | White | Blue | Result | Time |
|-------|-------------------------|---------------------|--------|------|
| 1 | RECMANOVA JOHANA 1 2 | LEHOTKAIIOVA ZUZANA | 00-10 | 0:25 |
| 2 | PRYIMA DARYINA 3 4 | KUBOVOVÁ Kristína | 10-00 | 0:57 |
| 4 | RECMANOVA JOHANA 1 3 | PRYIMA DARYINA | 10-00 | 0:20 |
| 5 | LEHOTKAIIOVA ZUZANA 2 4 | KUBOVOVÁ Kristína | 10-00 | 0:27 |
| 7 | RECMANOVA JOHANA 1 4 | KUBOVOVÁ Kristína | 10-00 | 0:30 |
| 8 | LEHOTKAIIOVA ZUZANA 2 3 | PRYIMA DARYINA | 10-00 | 0:22 |

Competitors B

| # | Name | Grade | Club | 5 | 6 | 7 | Wins | Pts | Pos |
|---|-------------------|-------|--------------------|---|----|----|------|-----|-----|
| 5 | KHAVAN SOFIA | ? | JUDO UZHOROD | | 10 | 10 | 2 | 20 | 1 |
| 6 | BOLTvanoVA LEA | ? | JC ROZNAVA TJ ELAN | | | | 0 | 0 | 3 |
| 7 | NOVOTNA RADOSLAVA | ? | TJ MLADOST PP | | 10 | | 1 | 10 | 2 |

Matches B

| Match | White | Blue | Result | Time |
|-------|--------------------|-------------------|--------|------|
| 3 | KHAVAN SOFIA 5 6 | BOLTvanoVA LEA | 10-01 | 2:12 |
| 6 | KHAVAN SOFIA 5 7 | NOVOTNA RADOSLAVA | 10-00 | 0:17 |
| 9 | BOLTvanoVA LEA 6 7 | NOVOTNA RADOSLAVA | 00-10 | 0:45 |



Results

| Pos | Name |
|-----|----------------------------------|
| 1 | LEHOTKAIIOVA ZUZANA , JK LEVICE |
| 2 | RECMANOVA JOHANA, TJ OSTRAVA |
| 3 | NOVOTNA RADOSLAVA, TJ MLADOST PP |
| 3 | KHAVAN SOFIA, JUDO UZHOROD |

VT Michalovce 49. 22.06.2019 Michalovce FU11-38

Competitors

Competitors: 3

| # | Name | Grade | Club | 1 | 2 | 3 | Wins | Pts | Pos |
|---|-----------------------|-------|-----------------|---|----|----|------|-----|-----|
| 1 | MONTVILAITE UGNE | ? | ALYTAUS | | 1 | 10 | 2 | 11 | 1 |
| 2 | CARCEA MARIA | ? | CSS UNIREA IASI | | | | 0 | 0 | 3 |
| 3 | HOMICHKOVA OLEKSANDRA | ? | IRSHAVA | | 10 | | 1 | 10 | 2 |

Matches

| Match | White | | | Blue | Result | Time |
|-------|------------------|---|---|-----------------------|--------|------|
| 1 | MONTVILAITE UGNE | 1 | 2 | CARCEA MARIA | 01-00 | 2:00 |
| 2 | MONTVILAITE UGNE | 1 | 3 | HOMICHKOVA OLEKSANDRA | 10-00 | 0:15 |
| 3 | CARCEA MARIA | 2 | 3 | HOMICHKOVA OLEKSANDRA | 00-10 | 0:42 |

Results

| Pos | Name |
|-----|--------------------------------|
| 1 | MONTVILAITE UGNE, ALYTAUS |
| 2 | HOMICHKOVA OLEKSANDRA, IRSHAVA |
| 3 | CARCEA MARIA, CSS UNIREA IASI |

VT Michalovce 49. 22.06.2019 Michalovce FU11-42

Competitors A

Competitors: 7

| # | Name | Grade | Club | 1 | 2 | 3 | 4 | Wins | Pts | Pos |
|---|------------------|-------|--------------------|----|---|----|----|------|-----|-----|
| 1 | NEMALTCEV SERGEY | ? | UZHOROD | | | 1 | | 1 | 1 | 3 |
| 2 | RUSIN NATALIA | ? | UKS JUDO MYSLOWICE | 10 | | 10 | 10 | 3 | 30 | 1 |
| 3 | BENOVIČOVÁ Hana | ? | 1 JC PEZINOK | | | | | 0 | 0 | 4 |
| 4 | FILZWIESER EMMA | ? | JUDOTEAM ZELTWEG | 10 | | 10 | | 2 | 20 | 2 |

Matches A

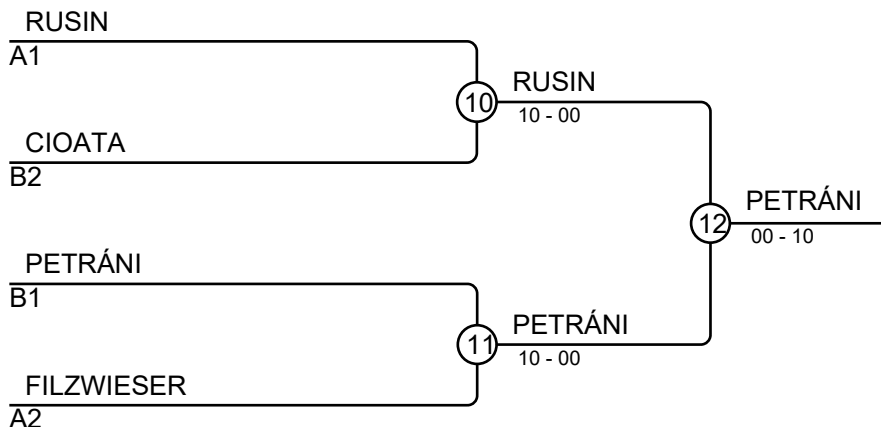
| Match | White | Grade | Blue | Result | Time |
|-------|------------------|-------|-----------------|-----------|------|
| 1 | NEMALTCEV SERGEY | 1 2 | RUSIN NATALIA | 00-10 | 0:57 |
| 2 | BENOVIČOVÁ Hana | 3 4 | FILZWIESER EMMA | 01s1-10 | 0:25 |
| 4 | NEMALTCEV SERGEY | 1 3 | BENOVIČOVÁ Hana | 01s2-00s1 | 2:00 |
| 5 | RUSIN NATALIA | 2 4 | FILZWIESER EMMA | 10-01 | 0:44 |
| 7 | NEMALTCEV SERGEY | 1 4 | FILZWIESER EMMA | 00s3-10 | 1:04 |
| 8 | RUSIN NATALIA | 2 3 | BENOVIČOVÁ Hana | 10-00s1 | 1:00 |

Competitors B

| # | Name | Grade | Club | 5 | 6 | 7 | Wins | Pts | Pos |
|---|-------------------|-------|------------------|---|----|----|------|-----|-----|
| 5 | PETRÁNI Martin | ? | 1 JC PEZINOK | | 10 | 10 | 2 | 20 | 1 |
| 6 | GURCIKOVA BARBORA | ? | SPISSKA NOVA VES | | | | 0 | 0 | 3 |
| 7 | CIOATA MARIA | ? | CSS UNIREA IASI | | 10 | | 1 | 10 | 2 |

Matches B

| Match | White | Grade | Blue | Result | Time |
|-------|-------------------|-------|-------------------|--------|------|
| 3 | PETRÁNI Martin | 5 6 | GURCIKOVA BARBORA | 10-00 | 0:12 |
| 6 | PETRÁNI Martin | 5 7 | CIOATA MARIA | 10-00 | 0:33 |
| 9 | GURCIKOVA BARBORA | 6 7 | CIOATA MARIA | 00-10 | 0:18 |



Results

| Pos | Name |
|-----|-----------------------------------|
| 1 | PETRÁNI Martin, 1 JC PEZINOK |
| 2 | RUSIN NATALIA, UKS JUDO MYSLOWICE |
| 3 | CIOATA MARIA, CSS UNIREA IASI |
| 3 | FILZWIESER EMMA, JUDOTEAM ZELTWEG |

VT Michalovce 49. 22.06.2019 Michalovce MU11-24

Competitors

Competitors: 5

| # | Name | Grade | Club | 1 | 2 | 3 | 4 | 5 | Wins | Pts | Pos |
|---|----------------------|-------|--------------------|----|----|----|----|---|------|-----|-----|
| 1 | SLAHOR OLIVER | ? | ASK SLAVIA TRNAVA | | 1 | 10 | 10 | | 3 | 21 | 2 |
| 2 | VERTYDOROKH LIUBOMYR | ? | IRSHAVA | | | 10 | 10 | | 2 | 20 | 3 |
| 3 | PETROVSKIY PETRO | ? | UZHOROD | | | | 10 | | 1 | 10 | 4 |
| 4 | ZGODAVA MICHAL | ? | SPISSKA NOVA VES | | | | | | 0 | 0 | 5 |
| 5 | MIKOLAJOVA ANNA | ? | JC ROZNAVA TJ ELAN | 10 | 10 | 10 | 10 | | 4 | 40 | 1 |

Matches

| Match | White | Grade | Blue | Grade | Result | Time |
|-------|----------------------|-------|----------------------|-------|-----------|------|
| 1 | ZGODAVA MICHAL | 4 | MIKOLAJOVA ANNA | 5 | 00-11 | 0:39 |
| 2 | SLAHOR OLIVER | 1 | VERTYDOROKH LIUBOMYR | 2 | 01s2-00s1 | 2:00 |
| 3 | PETROVSKIY PETRO | 3 | ZGODAVA MICHAL | 4 | 10-00 | 0:29 |
| 4 | SLAHOR OLIVER | 1 | MIKOLAJOVA ANNA | 5 | 00-10 | 1:33 |
| 5 | VERTYDOROKH LIUBOMYR | 2 | PETROVSKIY PETRO | 3 | 10-00 | 0:37 |
| 6 | SLAHOR OLIVER | 1 | ZGODAVA MICHAL | 4 | 10-00 | 0:11 |
| 7 | PETROVSKIY PETRO | 3 | MIKOLAJOVA ANNA | 5 | 00-10 | 0:40 |
| 8 | VERTYDOROKH LIUBOMYR | 2 | ZGODAVA MICHAL | 4 | 10-00 | 0:07 |
| 9 | SLAHOR OLIVER | 1 | PETROVSKIY PETRO | 3 | 10-00 | 1:16 |
| 10 | VERTYDOROKH LIUBOMYR | 2 | MIKOLAJOVA ANNA | 5 | 01-10 | 0:58 |

Results

| Pos | Name |
|-----|-------------------------------------|
| 1 | MIKOLAJOVA ANNA, JC ROZNAVA TJ ELAN |
| 2 | SLAHOR OLIVER, ASK SLAVIA TRNAVA |
| 3 | VERTYDOROKH LIUBOMYR, IRSHAVA |
| 4 | PETROVSKIY PETRO, UZHOROD |
| 5 | ZGODAVA MICHAL, SPISSKA NOVA VES |

VT Michalovce 49. 22.06.2019 Michalovce MU11-27

Competitors

Competitors: 5

| # | Name | Grade | Club | 1 | 2 | 3 | 4 | 5 | Wins | Pts | Pos |
|---|----------------|-------|-------------------|----|----|---|----|----|------|-----|-----|
| 1 | JANKUS KAJUS | ? | SIAULIAI | | | | | | 0 | 0 | 5 |
| 2 | MUCK JONATAN | ? | TJ OSTRAVA | 10 | | | 10 | 10 | 3 | 30 | 2 |
| 3 | SAVKA ARTEM | ? | SPICUL CLUB SPORT | 10 | 10 | | 10 | 10 | 4 | 40 | 1 |
| 4 | KOKINDA JAKUB | ? | JC BARDEJOV | 1 | | | | | 1 | 1 | 4 |
| 5 | MITTER NICOLAS | ? | JK TRNAVA | 10 | | | 10 | | 2 | 20 | 3 |

Matches

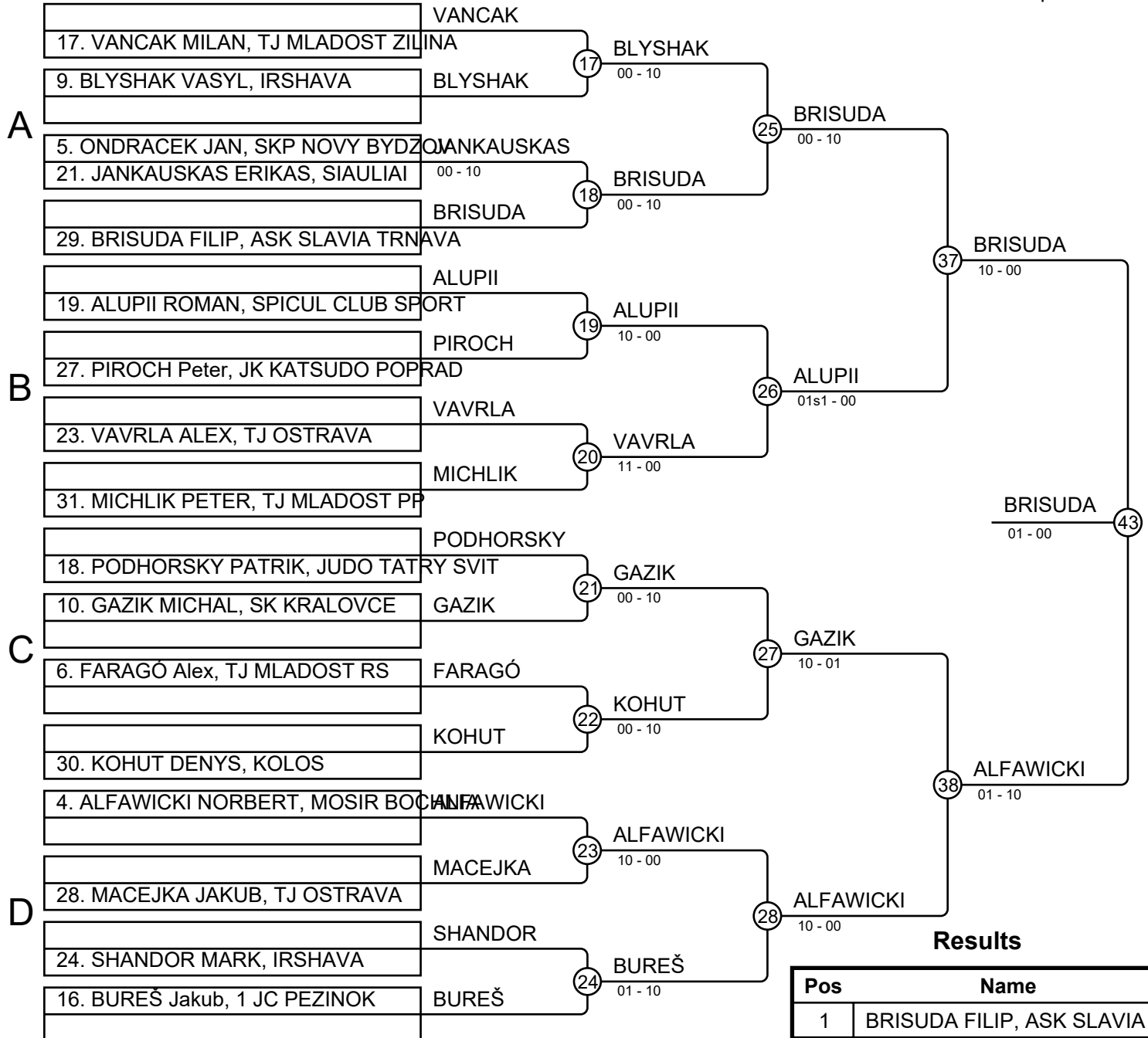
| Match | White | Blue | Result | Time |
|-------|-------------------|----------------|---------|------|
| 1 | KOKINDA JAKUB 4 5 | MITTER NICOLAS | 00-10 | 0:20 |
| 2 | JANKUS KAJUS 1 2 | MUCK JONATAN | 00-10 | 0:38 |
| 3 | SAVKA ARTEM 3 4 | KOKINDA JAKUB | 10-00 | 0:23 |
| 4 | JANKUS KAJUS 1 5 | MITTER NICOLAS | 00-10 | 0:38 |
| 5 | MUCK JONATAN 2 3 | SAVKA ARTEM | 00-10 | 0:35 |
| 6 | JANKUS KAJUS 1 4 | KOKINDA JAKUB | 00-01 | 2:25 |
| 7 | SAVKA ARTEM 3 5 | MITTER NICOLAS | 10-00 | 1:20 |
| 8 | MUCK JONATAN 2 4 | KOKINDA JAKUB | 10-00 | 0:18 |
| 9 | JANKUS KAJUS 1 3 | SAVKA ARTEM | 01s1-10 | 1:20 |
| 10 | MUCK JONATAN 2 5 | MITTER NICOLAS | 10-00 | 0:52 |

Results

| Pos | Name |
|-----|--------------------------------|
| 1 | SAVKA ARTEM, SPICUL CLUB SPORT |
| 2 | MUCK JONATAN, TJ OSTRAVA |
| 3 | MITTER NICOLAS, JK TRNAVA |
| 4 | KOKINDA JAKUB, JC BARDEJOV |
| 5 | JANKUS KAJUS, SIAULIAI |

VT Michalovce 49. 22.06.2019 Michalovce MU11-30

Competitors: 17

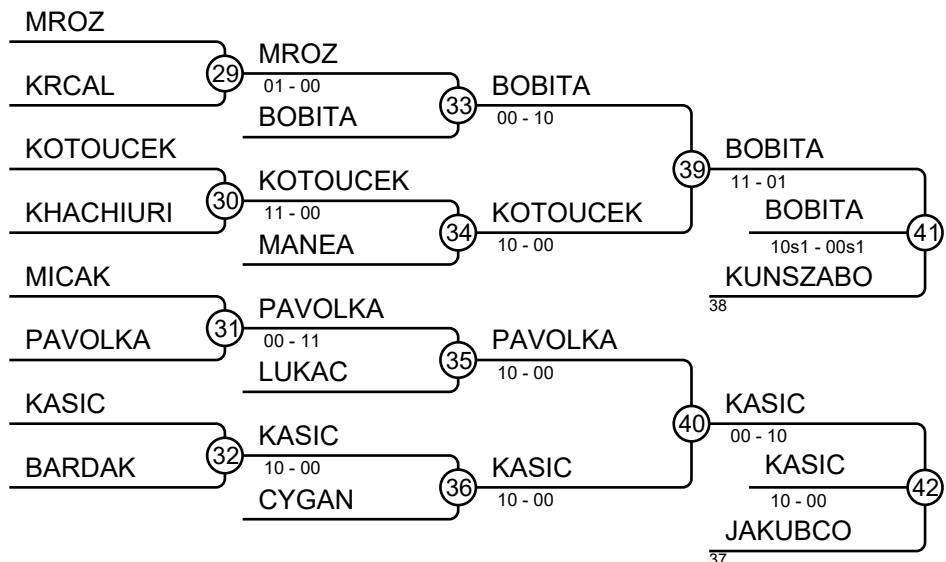
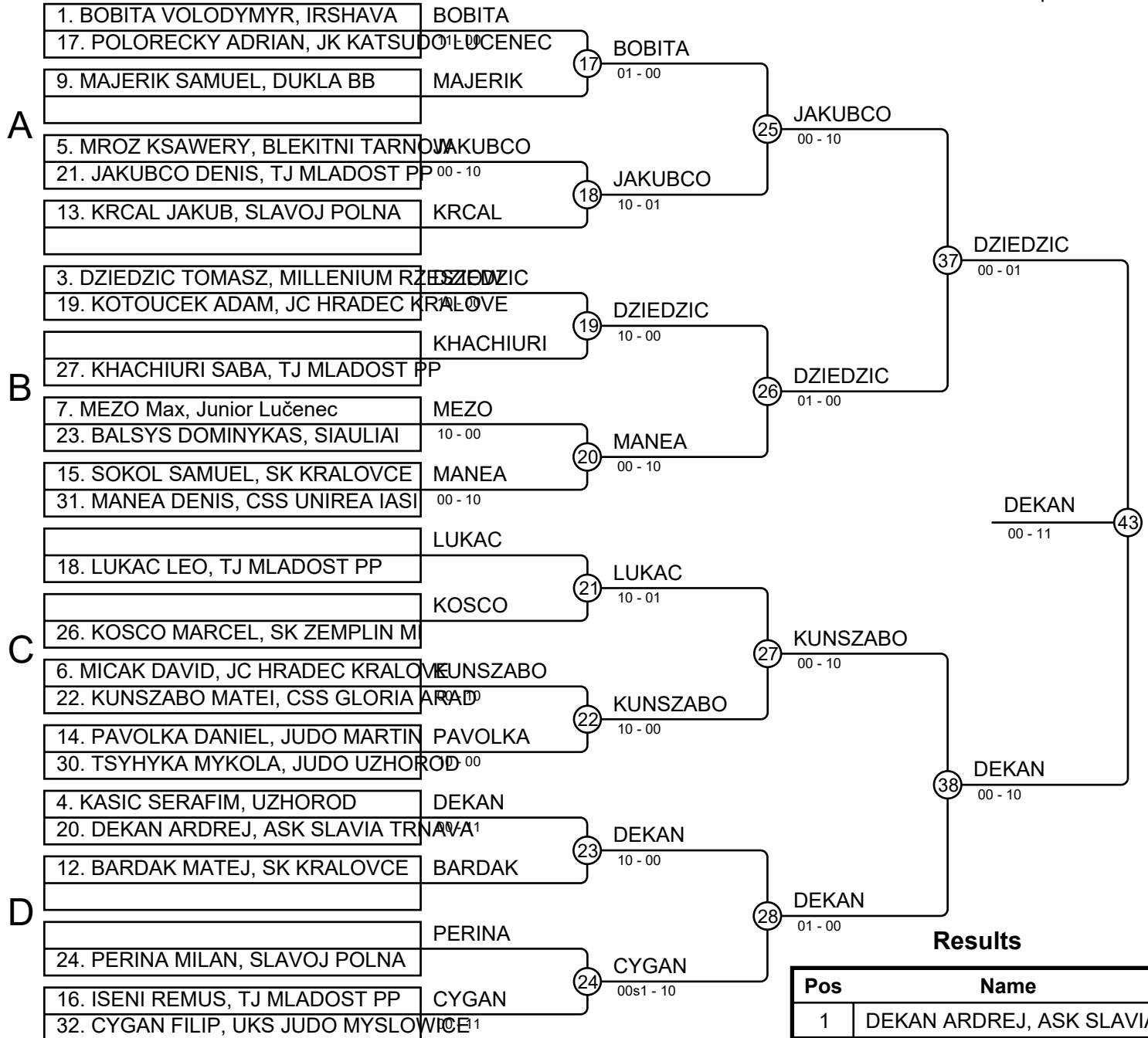


Results

| Pos | Name |
|-----|-----------------------------------|
| 1 | BRISUDA FILIP, ASK SLAVIA TRNAVA |
| 2 | ALFAWICKI NORBERT, MOSIR BOCHANIA |
| 3 | VAVRLA ALEX, TJ OSTRAVA |
| 3 | ALUPII ROMAN, SPICUL CLUB SPORT |
| 5 | GAZIK MICHAL, SK KRALOVCE |
| 5 | KOHUT DENYS, KOLOS |
| 7 | BLYSHAK VASYL, IRSHAVA |
| 7 | BUREŠ Jakub, 1 JC PEZINOK |

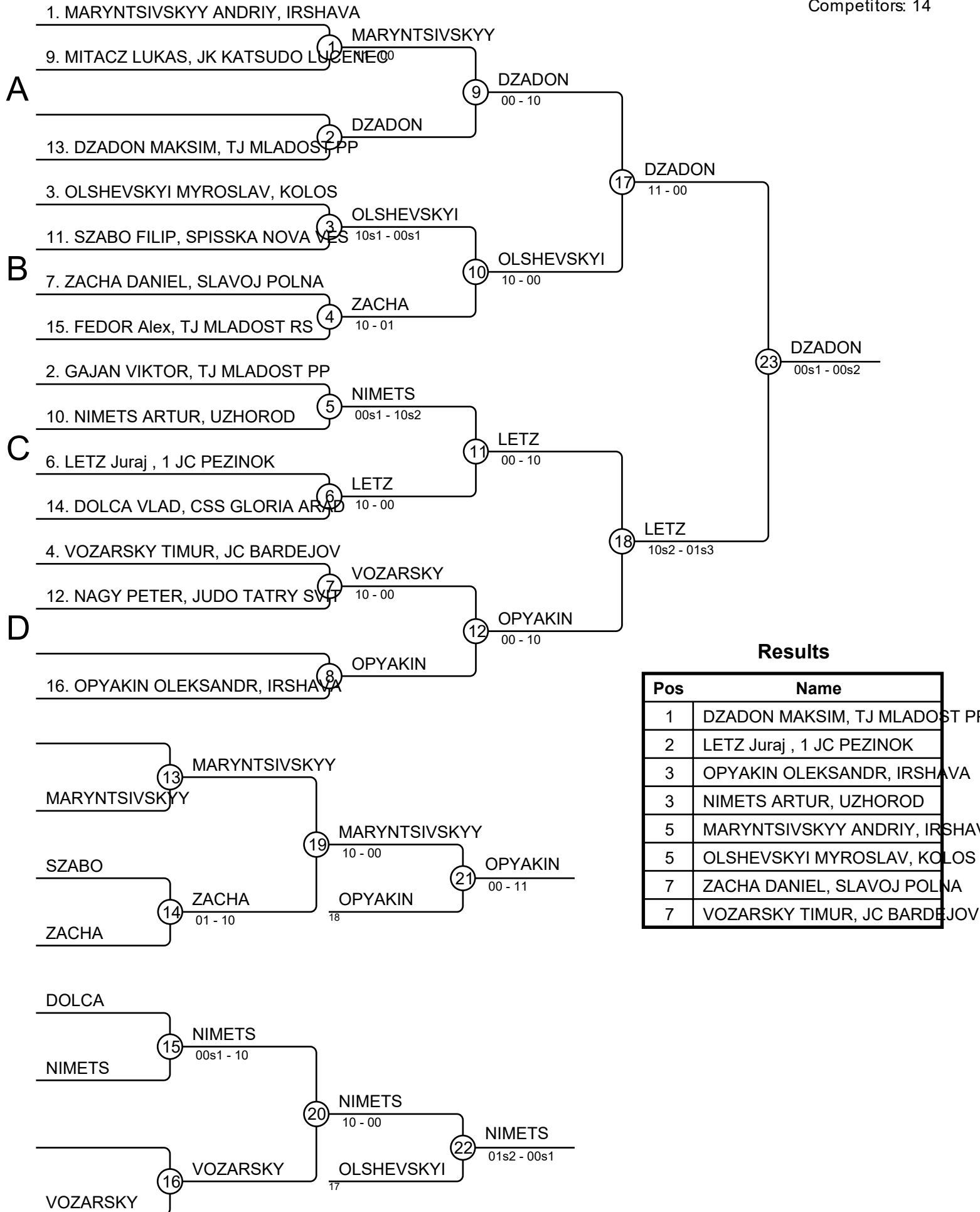
VT Michalovce 49. 22.06.2019 Michalovce MU11-34

Competitors: 25



VT Michalovce 49. 22.06.2019 Michalovce MU11-38

Competitors: 14



VT Michalovce 49. 22.06.2019 Michalovce MU11-46

Competitors A

Competitors: 8

| # | Name | Grade | Club | 1 | 2 | 3 | 4 | Wins | Pts | Pos |
|---|--------------------|-------|-------------------|----|----|---|----|------|-----|-----|
| 1 | KASCAK ADRIAN | ? | SPISSKA NOVA VES | | | | | 0 | 0 | 4 |
| 2 | NOZDROVICKY DAMIAN | ? | JK LEVICE | 10 | | | 10 | 2 | 20 | 2 |
| 3 | DUREC Jakub | ? | TJ MLADOST RS | 10 | 10 | | 10 | 3 | 30 | 1 |
| 4 | STODER MARKO | ? | TJ MLADOST ZILINA | 10 | | | | 1 | 10 | 3 |

Matches A

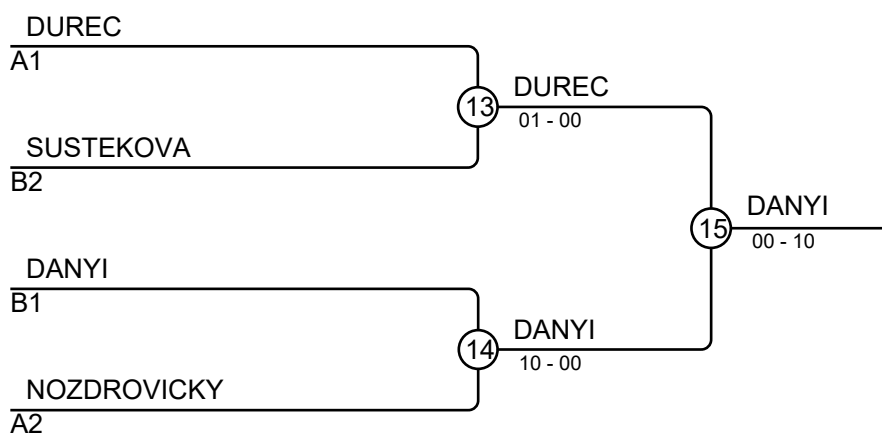
| Match | White | Blue | Result | Time |
|-------|------------------------|--------------------|--------|------|
| 1 | KASCAK ADRIAN 1 2 | NOZDROVICKY DAMIAN | 00-10 | 0:27 |
| 3 | DUREC Jakub 3 4 | STODER MARKO | 10-00 | 0:37 |
| 5 | KASCAK ADRIAN 1 3 | DUREC Jakub | 00-10 | 0:37 |
| 7 | NOZDROVICKY DAMIAN 2 4 | STODER MARKO | 10-00 | 0:20 |
| 9 | KASCAK ADRIAN 1 4 | STODER MARKO | 00-10 | 0:49 |
| 11 | NOZDROVICKY DAMIAN 2 3 | DUREC Jakub | 00-10 | 0:11 |

Competitors B

| # | Name | Grade | Club | 5 | 6 | 7 | 8 | Wins | Pts | Pos |
|---|---------------------|-------|---------------------|----|----|----|---|------|-----|-----|
| 5 | LAKATOS BELA DARIUS | ? | MISKOLC | | | 10 | | 1 | 10 | 3 |
| 6 | SUSTEKOVA NIKOLA | ? | SKP BANSKA BYSTRICA | 10 | | 10 | | 2 | 20 | 2 |
| 7 | SOKOL FILIP | ? | JC BARDEJOV | | | | | 0 | 0 | 4 |
| 8 | DANYI Ladislav | ? | TJ MLADOST RS | 10 | 10 | 10 | | 3 | 30 | 1 |

Matches B

| Match | White | Blue | Result | Time |
|-------|-------------------------|------------------|--------|------|
| 2 | LAKATOS BELA DARIUS 5 6 | SUSTEKOVA NIKOLA | 01-10 | 2:35 |
| 4 | SOKOL FILIP 7 8 | DANYI Ladislav | 00-10 | 0:07 |
| 6 | LAKATOS BELA DARIUS 5 7 | SOKOL FILIP | 10-00 | 0:27 |
| 8 | SUSTEKOVA NIKOLA 6 8 | DANYI Ladislav | 00-10 | 1:27 |
| 10 | LAKATOS BELA DARIUS 5 8 | DANYI Ladislav | 00-10 | 0:22 |
| 12 | SUSTEKOVA NIKOLA 6 7 | SOKOL FILIP | 10-00 | 0:43 |



Results

| Pos | Name |
|-----|---------------------------------------|
| 1 | DANYI Ladislav, TJ MLADOST RS |
| 2 | DUREC Jakub, TJ MLADOST RS |
| 3 | SUSTEKOVA NIKOLA, SKP BANSKA BYSTRICA |
| 3 | NOZDROVICKY DAMIAN, JK LEVICE |

VT Michalovce 49. 22.06.2019 Michalovce MU11-55

Competitors

Competitors: 3

| # | Name | Grade | Club | 1 | 2 | 3 | Wins | Pts | Pos |
|---|----------------|-------|---------------------|----|----|---|------|-----|-----|
| 1 | KALOCAY OLIVER | ? | SK ZEMPLIN MI | | 1 | | 1 | 1 | 2 |
| 2 | RYSOVA LENKA | ? | SKP BANSKA BYSTRICA | | | | 0 | 0 | 3 |
| 3 | KOHUT KRISTINA | ? | JUDO UZHOROD | 10 | 10 | | 2 | 20 | 1 |

Matches

| Match | White | | | Blue | Result | Time |
|-------|----------------|---|---|----------------|--------|------|
| 1 | KALOCAY OLIVER | 1 | 2 | RYSOVA LENKA | 01-00 | 2:35 |
| 2 | KALOCAY OLIVER | 1 | 3 | KOHUT KRISTINA | 00-10 | 0:31 |
| 3 | RYSOVA LENKA | 2 | 3 | KOHUT KRISTINA | 01-10 | 0:47 |

Results

| Pos | Name |
|-----|-----------------------------------|
| 1 | KOHUT KRISTINA, JUDO UZHOROD |
| 2 | KALOCAY OLIVER, SK ZEMPLIN MI |
| 3 | RYSOVA LENKA, SKP BANSKA BYSTRICA |

VT Michalovce 49. 22.06.2019 Michalovce MU11-60

Competitors

Competitors: 1

| # | Name | Grade | Club | 1 | Wins | Pts | Pos |
|---|-----------------|-------|---------|---|------|-----|-----|
| 1 | PENKOV VALENTIN | ? | UZHOROD | | 0 | 0 | 1 |

Matches

| Match | White | Blue | Result | Time |
|-------|-------|------|--------|------|
|-------|-------|------|--------|------|

Results

| Pos | Name |
|-----|--------------------------|
| 1 | PENKOV VALENTIN, UZHOROD |

VT Michalovce 49. 22.06.2019 Michalovce FU13-32

Competitors A

Competitors: 8

| # | Name | Grade | Club | 1 | 2 | 3 | 4 | Wins | Pts | Pos |
|---|------------------|-------|-----------------|---|----|----|---|------|-----|-----|
| 1 | HUDAKOVA TAMARA | ? | JC BARDEJOV | | 1 | 10 | 1 | 3 | 12 | 1 |
| 2 | RYCHLA NIKOLA | ? | SLAVOJ POLNA | | | 10 | | 1 | 10 | 3 |
| 3 | PORADA YEVHENIIA | ? | IRSHAVA | | | | | 0 | 0 | 4 |
| 4 | RAMUS IGA | ? | UMKS ZAK KIELCE | | 10 | 10 | | 2 | 20 | 2 |

Matches A

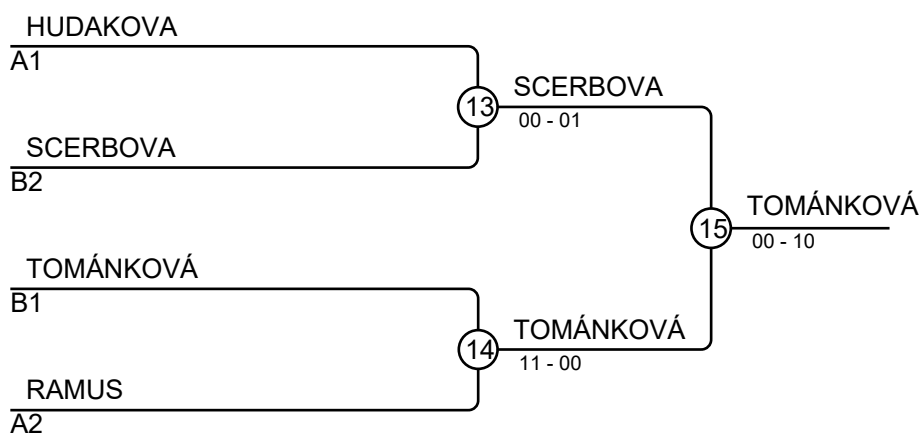
| Match | White | Blue | Result | Time |
|-------|--------------------|--------------------|--------|------|
| 1 | HUDAKOVA TAMARA 1 | RYCHLA NIKOLA 2 | 01-00 | 2:00 |
| 3 | PORADA YEVHENIIA 3 | RAMUS IGA 4 | 00-10 | 0:12 |
| 5 | HUDAKOVA TAMARA 1 | PORADA YEVHENIIA 3 | 10-00 | 1:10 |
| 7 | RYCHLA NIKOLA 2 | RAMUS IGA 4 | 00-10 | 1:26 |
| 9 | HUDAKOVA TAMARA 1 | RAMUS IGA 4 | 01-00 | 2:00 |
| 11 | RYCHLA NIKOLA 2 | PORADA YEVHENIIA 3 | 10-00 | 0:32 |

Competitors B

| # | Name | Grade | Club | 5 | 6 | 7 | 8 | Wins | Pts | Pos |
|---|--------------------|-------|--------------------|---|----|----|----|------|-----|-----|
| 5 | TOMÁNKOVÁ Patrícia | ? | 1 JC PEZINOK | | 10 | 10 | 10 | 3 | 30 | 1 |
| 6 | KRIZOVA LILI | ? | JK KATSUDO LUCENEC | | | | 10 | 1 | 10 | 3 |
| 7 | SCERBOVA AMALIE | ? | TJ OSTRAVA | | 10 | | 10 | 2 | 20 | 2 |
| 8 | TUDORA ANA | ? | CSS UNIREA IASI | | | | | 0 | 0 | 4 |

Matches B

| Match | White | Blue | Result | Time |
|-------|----------------------|-------------------|--------|------|
| 2 | TOMÁNKOVÁ Patrícia 5 | KRIZOVA LILI 6 | 10-01 | 1:49 |
| 4 | SCERBOVA AMALIE 7 | TUDORA ANA 8 | 10-00 | 0:44 |
| 6 | TOMÁNKOVÁ Patrícia 5 | SCERBOVA AMALIE 7 | 11-00 | 1:23 |
| 8 | KRIZOVA LILI 6 | TUDORA ANA 8 | 10-00 | 0:10 |
| 10 | TOMÁNKOVÁ Patrícia 5 | TUDORA ANA 8 | 10-00 | 0:32 |
| 12 | KRIZOVA LILI 6 | SCERBOVA AMALIE 7 | 00-10 | 0:58 |



Results

| Pos | Name |
|-----|----------------------------------|
| 1 | TOMÁNKOVÁ Patrícia, 1 JC PEZINOK |
| 2 | SCERBOVA AMALIE, TJ OSTRAVA |
| 3 | HUDAKOVA TAMARA, JC BARDEJOV |
| 3 | RAMUS IGA, UMKS ZAK KIELCE |

VT Michalovce 49. 22.06.2019 Michalovce FU13-36

Competitors A

Competitors: 8

| # | Name | Grade | Club | 1 | 2 | 3 | 4 | Wins | Pts | Pos |
|---|-----------------|-------|-------------------|----|----|----|---|------|-----|-----|
| 1 | RYBKA JULIA | ? | MOSIR BOCHNIA | | 10 | 10 | | 2 | 20 | 2 |
| 2 | BEDNAROVA HANA | ? | JC HRADEC KRALOVE | | | 10 | | 1 | 10 | 3 |
| 3 | SUSTOVA BARBORA | ? | SKP NOVY BYDZOV | | | | | 0 | 0 | 4 |
| 4 | KISSOVÁ Natália | ? | TJ MLADOST RS | 10 | 10 | 10 | | 3 | 30 | 1 |

Matches A

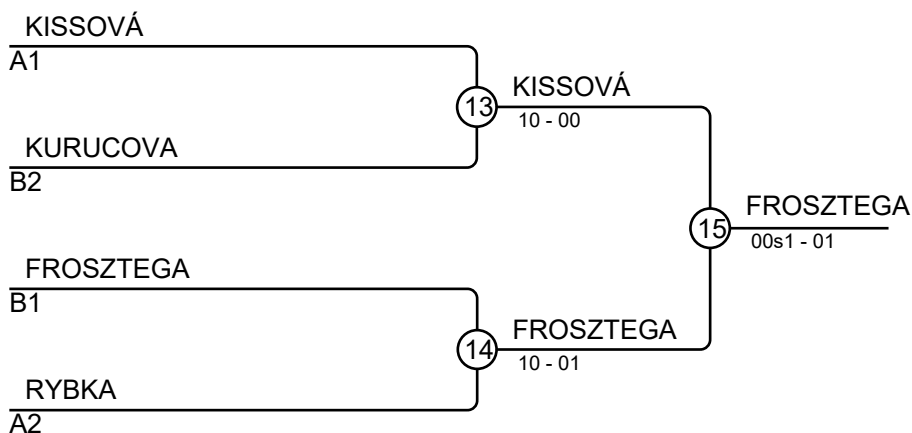
| Match | White | Blue | Result | Time |
|-------|---------------------|-----------------|--------|------|
| 1 | RYBKA JULIA 1 2 | BEDNAROVA HANA | 10-00 | 1:33 |
| 3 | SUSTOVA BARBORA 3 4 | KISSOVÁ Natália | 00-10 | 0:06 |
| 5 | RYBKA JULIA 1 3 | SUSTOVA BARBORA | 10-00 | 1:32 |
| 7 | BEDNAROVA HANA 2 4 | KISSOVÁ Natália | 00-10 | 1:55 |
| 9 | RYBKA JULIA 1 4 | KISSOVÁ Natália | 00-10 | 1:13 |
| 11 | BEDNAROVA HANA 2 3 | SUSTOVA BARBORA | 10-00 | 1:00 |

Competitors B

| # | Name | Grade | Club | 5 | 6 | 7 | 8 | Wins | Pts | Pos |
|---|---------------------|-------|--------------------|----|----|----|---|------|-----|-----|
| 5 | VAVROVA NICOL | ? | JC HRADEC KRALOVE | | | 10 | | 1 | 10 | 3 |
| 6 | KURUCOVA NELA | ? | TJ OSTRAVA | 1 | | 10 | | 2 | 11 | 2 |
| 7 | MRAVCAKOVA KAROLINA | ? | SPISSKA NOVA VES | | | | | 0 | 0 | 4 |
| 8 | FROSZTEGA IGA | ? | UKS JUDO MYSLOWICE | 10 | 10 | 10 | | 3 | 30 | 1 |

Matches B

| Match | White | Blue | Result | Time |
|-------|-------------------------|---------------------|---------|------|
| 2 | VAVROVA NICOL 5 6 | KURUCOVA NELA | 00-01s1 | 2:43 |
| 4 | MRAVCAKOVA KAROLINA 7 8 | FROSZTEGA IGA | 00s1-10 | 0:26 |
| 6 | VAVROVA NICOL 5 7 | MRAVCAKOVA KAROLINA | 10-00s1 | 1:20 |
| 8 | KURUCOVA NELA 6 8 | FROSZTEGA IGA | 00-10 | 0:36 |
| 10 | VAVROVA NICOL 5 8 | FROSZTEGA IGA | 00-10 | 0:24 |
| 12 | KURUCOVA NELA 6 7 | MRAVCAKOVA KAROLINA | 10-00 | 1:32 |

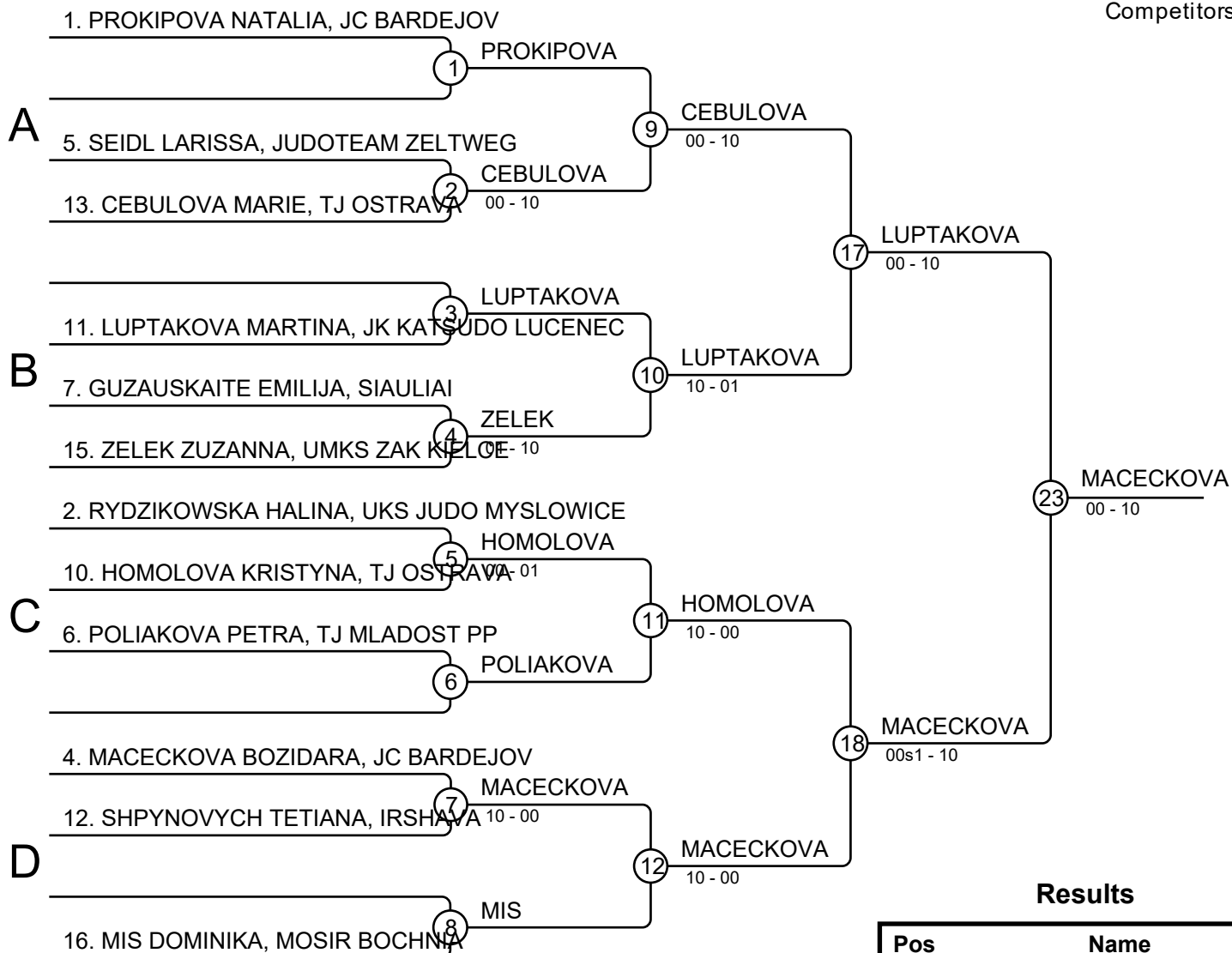


Results

| Pos | Name |
|-----|-----------------------------------|
| 1 | FROSZTEGA IGA, UKS JUDO MYSLOWICE |
| 2 | KISSOVÁ Natália, TJ MLADOST RS |
| 3 | KURUCOVA NELA, TJ OSTRAVA |
| 3 | RYBKA JULIA, MOSIR BOCHNIA |

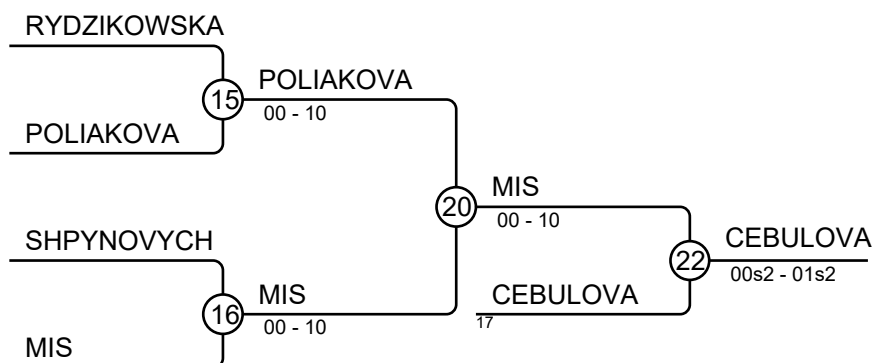
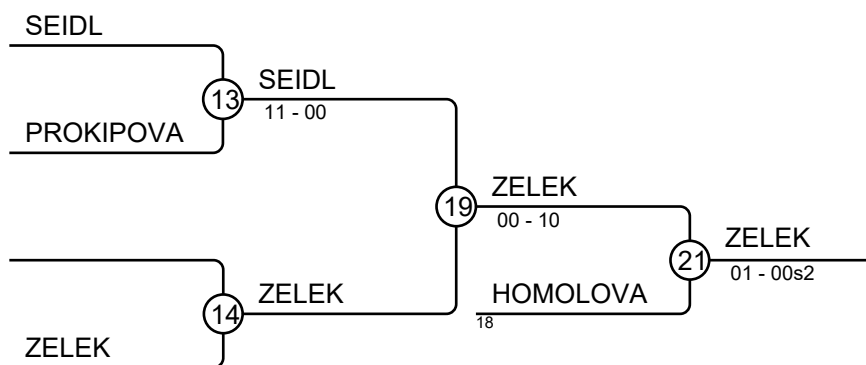
VT Michalovce 49. 22.06.2019 Michalovce FU13-40

Competitors: 12



Results

| Pos | Name |
|-----|---------------------------------------|
| 1 | MACECKOVA BOZIDARA, JC BARDEJOV |
| 2 | LUPTAKOVA MARTINA, JK KATSUDO LUCENEC |
| 3 | ZELEK ZUZANNA, UMKS ZAK KIELCE |
| 3 | CEBULOVA MARIE, TJ OSTRAVA |
| 5 | HOMOLOVA KRISTYNA, TJ OSTRAVA |
| 5 | MIS DOMINIKA, MOSIR BOCHNIA |
| 7 | SEIDL LARISSA, JUDOTEAM ZELTWEG |
| 7 | POLIAKOVA PETRA, TJ MLADOST PP |



VT Michalovce 49. 22.06.2019 Michalovce FU13-44

Competitors A

Competitors: 8

| # | Name | Grade | Club | 1 | 2 | 3 | 4 | Wins | Pts | Pos |
|---|--------------------|-------|------------------|----|----|---|---|------|-----|-----|
| 1 | CVENGROSOVA SABINA | ? | SPISSKA NOVA VES | | 10 | | | 1 | 10 | 3 |
| 2 | BODUROVA KATERINA | ? | TJ OSTRAVA | | | | | 0 | 0 | 4 |
| 3 | GANOVSKA SOFIA | ? | SPISSKA NOVA VES | 10 | 10 | | 1 | 3 | 21 | 1 |
| 4 | RIESER ANNA CHIARA | ? | JUDOTEAM ZELTWEG | 1 | 10 | | | 2 | 11 | 2 |

Matches A

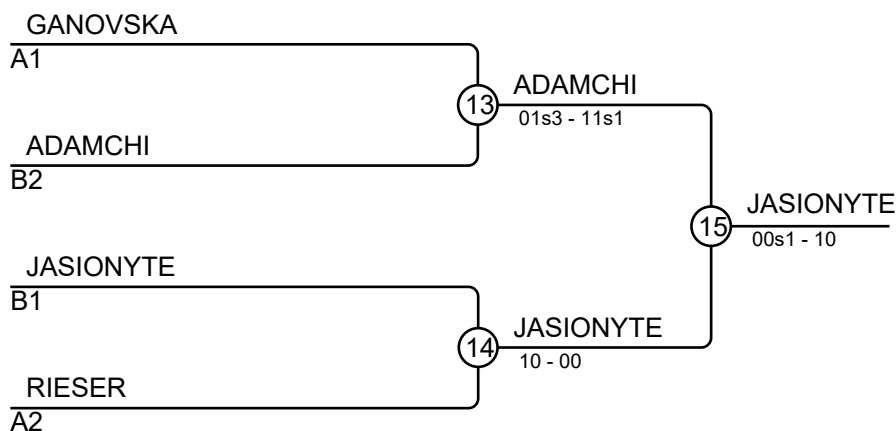
| Match | White | Blue | Result | Time |
|-------|------------------------|--------------------|---------|------|
| 1 | CVENGROSOVA SABINA 1 2 | BODUROVA KATERINA | 10-00 | 0:36 |
| 3 | GANOVSKA SOFIA 3 4 | RIESER ANNA CHIARA | 01-00s1 | 2:00 |
| 5 | CVENGROSOVA SABINA 1 3 | GANOVSKA SOFIA | 00-10 | 0:20 |
| 7 | BODUROVA KATERINA 2 4 | RIESER ANNA CHIARA | 00-10 | 0:38 |
| 9 | CVENGROSOVA SABINA 1 4 | RIESER ANNA CHIARA | 00-01 | 2:00 |
| 11 | BODUROVA KATERINA 2 3 | GANOVSKA SOFIA | 00-10 | 0:28 |

Competitors B

| # | Name | Grade | Club | 5 | 6 | 7 | 8 | Wins | Pts | Pos |
|---|---------------------|-------|------------------|----|----|----|---|------|-----|-----|
| 5 | ADAMCHI MAYA | ? | CSS UNIREA IASI | | 10 | 10 | | 2 | 20 | 2 |
| 6 | CHOMOVA LUCIA | ? | JC BARDEJOV | | | | | 0 | 0 | 4 |
| 7 | HAMBOROVA ZUZANA | ? | SPISSKA NOVA VES | | 10 | | | 1 | 10 | 3 |
| 8 | JASIONYTE VIKTORIJA | ? | ALYTAUS | 10 | 10 | 10 | | 3 | 30 | 1 |

Matches B

| Match | White | Blue | Result | Time |
|-------|----------------------|---------------------|---------|------|
| 2 | ADAMCHI MAYA 5 6 | CHOMOVA LUCIA | 10-00 | 1:05 |
| 4 | HAMBOROVA ZUZANA 7 8 | JASIONYTE VIKTORIJA | 00-10 | 0:10 |
| 6 | ADAMCHI MAYA 5 7 | HAMBOROVA ZUZANA | 10-00 | 1:10 |
| 8 | CHOMOVA LUCIA 6 8 | JASIONYTE VIKTORIJA | 00-10 | 0:11 |
| 10 | ADAMCHI MAYA 5 8 | JASIONYTE VIKTORIJA | 00-10 | 0:09 |
| 12 | CHOMOVA LUCIA 6 7 | HAMBOROVA ZUZANA | 00-10s1 | 1:13 |



Results

| Pos | Name |
|-----|--------------------------------------|
| 1 | JASIONYTE VIKTORIJA, ALYTAUS |
| 2 | ADAMCHI MAYA, CSS UNIREA IASI |
| 3 | GANOVSKA SOFIA, SPISSKA NOVA VES |
| 3 | RIESER ANNA CHIARA, JUDOTEAM ZELTWEG |

VT Michalovce 49. 22.06.2019 Michalovce FU13-48

Competitors A

Competitors: 6

| # | Name | Grade | Club | 1 | 2 | 3 | Wins | Pts | Pos |
|---|--------------------|-------|-----------------|----|---|----|------|-----|-----|
| 1 | GRAPOVA STANKA | ? | SK KRALOVCE | | | 10 | 1 | 10 | 2 |
| 2 | KERGALVE VIKTORIJA | ? | VENTSPILS | 10 | | 10 | 2 | 20 | 1 |
| 3 | KUBA AMALIA | ? | CSS GLORIA ARAD | | | | 0 | 0 | 3 |

Matches A

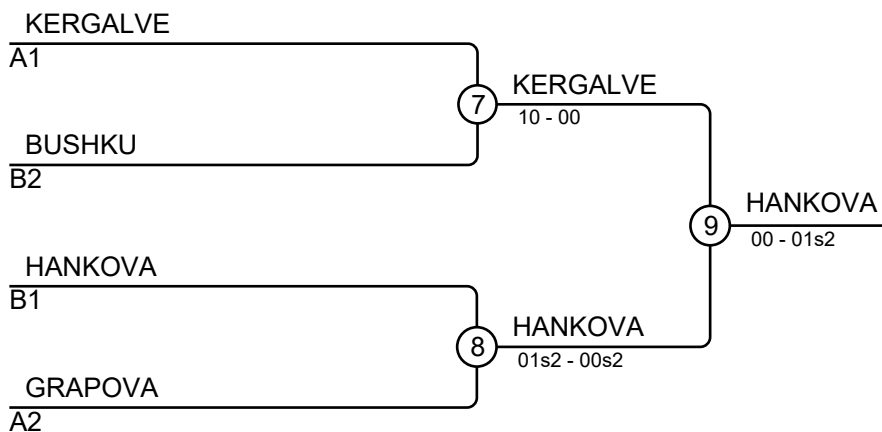
| Match | White | Blue | Result | Time |
|-------|------------------------|--------------------|--------|------|
| 1 | GRAPOVA STANKA 1 2 | KERGALVE VIKTORIJA | 00-10 | 0:30 |
| 3 | GRAPOVA STANKA 1 3 | KUBA AMALIA | 10-00 | 1:32 |
| 5 | KERGALVE VIKTORIJA 2 3 | KUBA AMALIA | 10-00 | 1:08 |

Competitors B

| # | Name | Grade | Club | 4 | 5 | 6 | Wins | Pts | Pos |
|---|---------------------|-------|-------------------|----|---|----|------|-----|-----|
| 4 | JAKUBCOVA DOMINIKA | ? | TJ MLADOST PP | | | | 0 | 0 | 3 |
| 5 | HANKOVA HANNAH | ? | JC BARDEJOV | 10 | | 10 | 2 | 20 | 1 |
| 6 | BUSHKU OLEKSANDRYNA | ? | SPICUL CLUB SPORT | 10 | | | 1 | 10 | 2 |

Matches B

| Match | White | Blue | Result | Time |
|-------|------------------------|---------------------|---------|------|
| 2 | JAKUBCOVA DOMINIKA 4 5 | HANKOVA HANNAH | 00-10 | 0:18 |
| 4 | JAKUBCOVA DOMINIKA 4 6 | BUSHKU OLEKSANDRYNA | 01-10s1 | 0:46 |
| 6 | HANKOVA HANNAH 5 6 | BUSHKU OLEKSANDRYNA | 10-00 | 0:35 |



Results

| Pos | Name |
|-----|----------------------------------------|
| 1 | HANKOVA HANNAH, JC BARDEJOV |
| 2 | KERGALVE VIKTORIJA, VENTSPILS |
| 3 | BUSHKU OLEKSANDRYNA, SPICUL CLUB SPORT |
| 3 | GRAPOVA STANKA, SK KRALOVCE |

VT Michalovce 49. 22.06.2019 Michalovce FU13-52

Competitors

Competitors: 2

| # | Name | Grade | Club | 1 | 2 | 1 | 2 | 1 | 2 | Wins | Pts | Pos |
|---|-------------------|-------|-----------------|---|----|---|----|---|---|------|-----|-----|
| 1 | WOZNAK URSZULA | ? | UMKS ZAK KIELCE | | 10 | | 10 | | | 2 | 20 | 1 |
| 2 | PETROVTSII MARIIA | ? | IRSHAVA | | | | | | | 0 | 0 | 2 |

Matches

| Match | White | | | Blue | Result | Time |
|-------|----------------|---|---|-------------------|--------|------|
| 1 | WOZNAK URSZULA | 1 | 2 | PETROVTSII MARIIA | 10-00 | 0:07 |
| 2 | WOZNAK URSZULA | 1 | 2 | PETROVTSII MARIIA | 10-00 | 0:07 |
| 3 | WOZNAK URSZULA | 1 | 2 | PETROVTSII MARIIA | | |

Results

| Pos | Name |
|-----|---------------------------------|
| 1 | WOZNAK URSZULA, UMKS ZAK KIELCE |
| 2 | PETROVTSII MARIIA, IRSHAVA |

VT Michalovce 49. 22.06.2019 Michalovce FU13-57

Competitors

Competitors: 1

| # | Name | Grade | Club | 1 | Wins | Pts | Pos |
|---|-------------------|-------|---------------|---|------|-----|-----|
| 1 | OČENÁŠOVÁ Bibiana | ? | TJ MLADOST RS | | 0 | 0 | 1 |

Matches

| Match | White | Blue | Result | Time |
|-------|-------|------|--------|------|
|-------|-------|------|--------|------|

Results

| Pos | Name |
|-----|----------------------------------|
| 1 | OČENÁŠOVÁ Bibiana, TJ MLADOST RS |

VT Michalovce 49. 22.06.2019 Michalovce FU13-63

Competitors

Competitors: 2

| # | Name | Grade | Club | 1 | 2 | 1 | 2 | 1 | 2 | Wins | Pts | Pos |
|---|-------------------|-------|--------------|----|---|----|---|---|---|------|-----|-----|
| 1 | WEIMEROVA ADRIANA | ? | TJ OSTRAVA | | | | | | | 0 | 0 | 2 |
| 2 | HAJNOVIČOVÁ Hanka | ? | 1 JC PEZINOK | 10 | | 10 | | | | 2 | 20 | 1 |

Matches

| Match | White | Grade | Blue | Result | Time |
|-------|-------------------|-------|-------------------|--------|------|
| 1 | WEIMEROVA ADRIANA | 1 2 | HAJNOVIČOVÁ Hanka | 00-10 | 0:21 |
| 2 | WEIMEROVA ADRIANA | 1 2 | HAJNOVIČOVÁ Hanka | 00-10 | 0:27 |
| 3 | WEIMEROVA ADRIANA | 1 2 | HAJNOVIČOVÁ Hanka | | |

Results

| Pos | Name |
|-----|---------------------------------|
| 1 | HAJNOVIČOVÁ Hanka, 1 JC PEZINOK |
| 2 | WEIMEROVA ADRIANA, TJ OSTRAVA |

VT Michalovce 49. 22.06.2019 Michalovce FU13+63

Competitors

Competitors: 2

| # | Name | Grade | Club | 1 | 2 | 1 | 2 | 1 | 2 | Wins | Pts | Pos |
|---|----------------|-------|-----------------|----|---|----|---|---|---|------|-----|-----|
| 1 | PAVEL PETRA | ? | MISKOLC | | | | | | | 0 | 0 | 2 |
| 2 | BERKOVA TEREZA | ? | SKP NOVY BYDZOV | 10 | | 10 | | | | 2 | 20 | 1 |

Matches

| Match | White | | | Blue | Result | Time |
|-------|-------------|---|---|----------------|--------|------|
| 1 | PAVEL PETRA | 1 | 2 | BERKOVA TEREZA | 00-10 | 0:27 |
| 2 | PAVEL PETRA | 1 | 2 | BERKOVA TEREZA | 00-10 | 0:44 |
| 3 | PAVEL PETRA | 1 | 2 | BERKOVA TEREZA | | |

Results

| Pos | Name |
|-----|---------------------------------|
| 1 | BERKOVA TEREZA, SKP NOVY BYDZOV |
| 2 | PAVEL PETRA, MISKOLC |

VT Michalovce 49. 22.06.2019 Michalovce MU13-27

Competitors A

Competitors: 7

| # | Name | Grade | Club | 1 | 2 | 3 | 4 | Wins | Pts | Pos |
|---|----------------|-------|--------------|---|----|----|---|------|-----|-----|
| 1 | TESÁK Michal | ? | 1 JC PEZINOK | | 10 | 10 | 0 | 3 | 20 | 1 |
| 2 | TERESA DEILAS | ? | ALYTAUS | | | 10 | | 1 | 10 | 3 |
| 3 | ROMMANIUK IVAN | ? | IRSHAVA | | | | | 0 | 0 | 4 |
| 4 | SEMENUKHA IVAN | ? | KOLOS | | 1 | 10 | | 2 | 11 | 2 |

Matches A

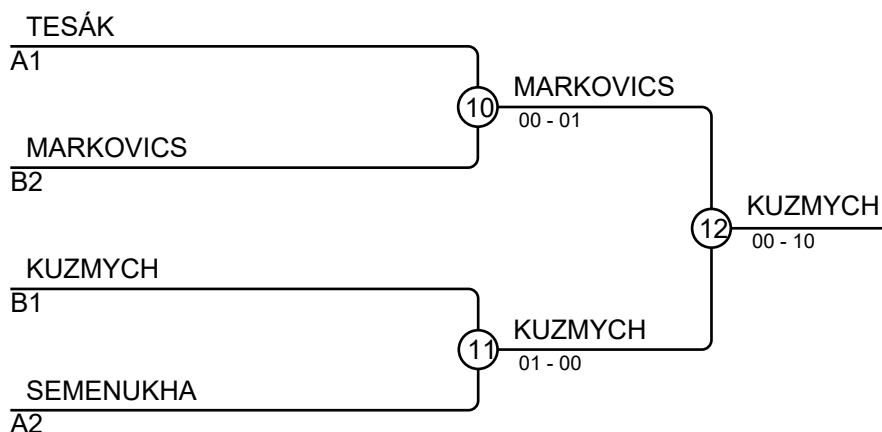
| Match | White | Blue | Result | Time |
|-------|--------------------|----------------|-----------|------|
| 1 | TESÁK Michal 1 2 | TERESA DEILAS | 10-00 | 0:04 |
| 2 | ROMMANIUK IVAN 3 4 | SEMENUKHA IVAN | 00-10 | 0:08 |
| 4 | TESÁK Michal 1 3 | ROMMANIUK IVAN | 10-00 | 0:03 |
| 5 | TERESA DEILAS 2 4 | SEMENUKHA IVAN | 00s1-01s1 | 2:00 |
| 7 | TESÁK Michal 1 4 | SEMENUKHA IVAN | 00-00s2 | 3:00 |
| 8 | TERESA DEILAS 2 3 | ROMMANIUK IVAN | 10-00 | 0:30 |

Competitors B

| # | Name | Grade | Club | 5 | 6 | 7 | Wins | Pts | Pos |
|---|------------------|-------|--------------------|---|----|----|------|-----|-----|
| 5 | KUZMYCH DMYTRO | ? | KOLOS | | 10 | 10 | 2 | 20 | 1 |
| 6 | MARKOVICS Andrej | ? | 1 JC PEZINOK | | | 10 | 1 | 10 | 2 |
| 7 | SABADOS RENE | ? | JK SLAVIA SOBRANCE | | | | 0 | 0 | 3 |

Matches B

| Match | White | Blue | Result | Time |
|-------|----------------------|------------------|--------|------|
| 3 | KUZMYCH DMYTRO 5 6 | MARKOVICS Andrej | 10-00 | 0:15 |
| 6 | KUZMYCH DMYTRO 5 7 | SABADOS RENE | 10-00 | 0:28 |
| 9 | MARKOVICS Andrej 6 7 | SABADOS RENE | 10-00 | 0:23 |



Results

| Pos | Name |
|-----|--------------------------------|
| 1 | KUZMYCH DMYTRO, KOLOS |
| 2 | MARKOVICS Andrej, 1 JC PEZINOK |
| 3 | TESÁK Michal, 1 JC PEZINOK |
| 3 | SEMENUKHA IVAN, KOLOS |

VT Michalovce 49. 22.06.2019 Michalovce MU13-30

Competitors

Competitors: 5

| # | Name | Grade | Club | 1 | 2 | 3 | 4 | 5 | Wins | Pts | Pos |
|---|-----------------------|-------|-------------------|---|----|----|----|----|------|-----|-----|
| 1 | STRUZIK JAKUB | ? | MOSIR BOCHNIA | | 10 | 10 | 10 | 10 | 4 | 40 | 1 |
| 2 | MORVAY SAMUEL | ? | TJ MLADOST PP | | | | | 0 | 1 | 0 | 4 |
| 3 | STAREK JAKUB | ? | JC HRADEC KRALOVE | | 10 | | | 10 | 2 | 20 | 3 |
| 4 | CHERVONOOKYI VSEVOLOD | ? | JUDO UZHOROD | | 10 | 1 | | 10 | 3 | 21 | 2 |
| 5 | HOTRA ROMAN | ? | UZHOROD | | | | | | 0 | 0 | 5 |

Matches

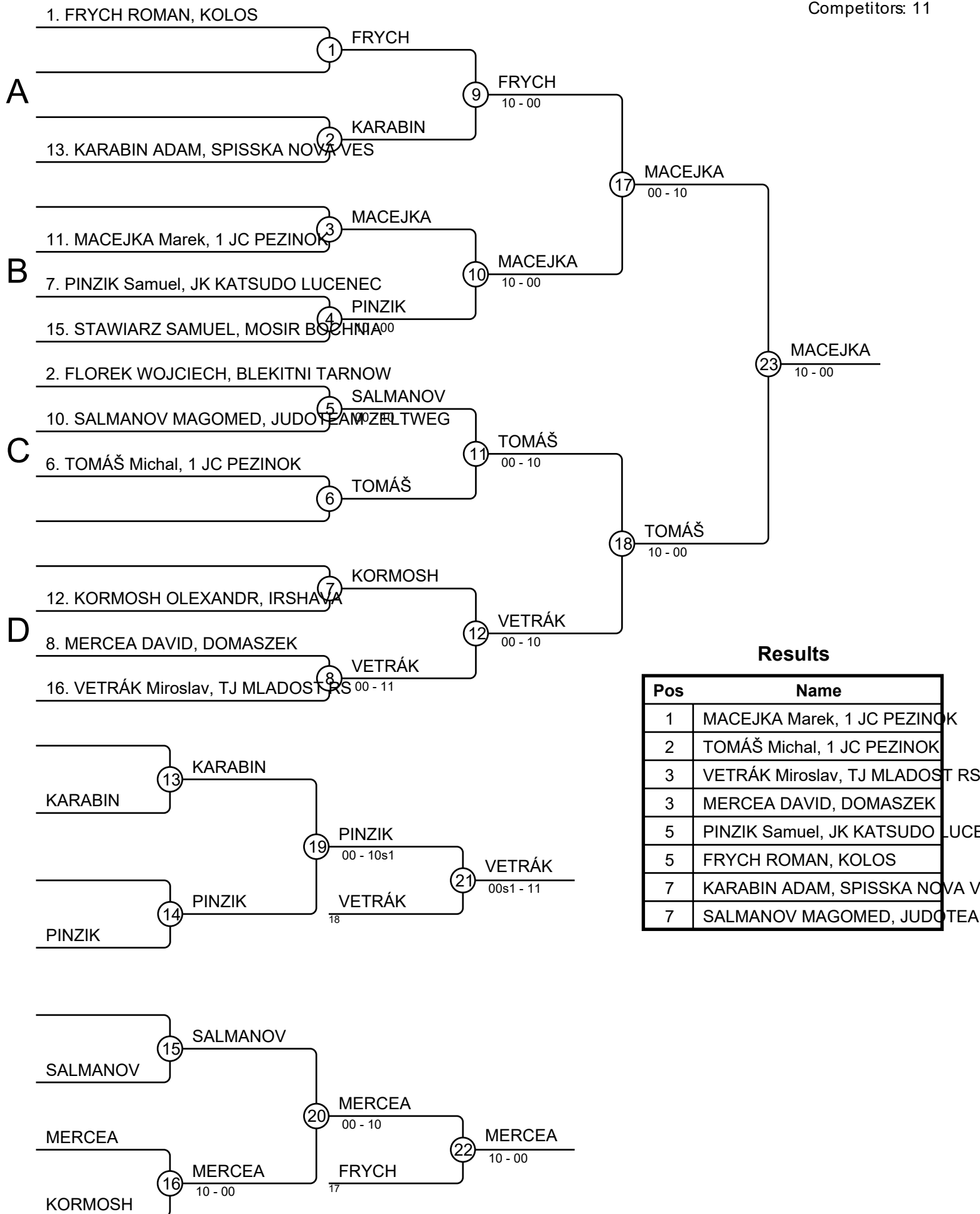
| Match | White | | Blue | | Result | Time |
|-------|-----------------------|---|------|-----------------------|---------|------|
| 1 | CHERVONOOKYI VSEVOLOD | 4 | 5 | HOTRA ROMAN | 10-00 | 0:27 |
| 2 | STRUZIK JAKUB | 1 | 2 | MORVAY SAMUEL | 10-00 | 0:08 |
| 3 | STAREK JAKUB | 3 | 4 | CHERVONOOKYI VSEVOLOD | 00-01 | 2:00 |
| 4 | STRUZIK JAKUB | 1 | 5 | HOTRA ROMAN | 10-00 | 0:40 |
| 5 | MORVAY SAMUEL | 2 | 3 | STAREK JAKUB | 00-10 | 1:01 |
| 6 | STRUZIK JAKUB | 1 | 4 | CHERVONOOKYI VSEVOLOD | 11-00 | 0:37 |
| 7 | STAREK JAKUB | 3 | 5 | HOTRA ROMAN | 10-00 | 0:05 |
| 8 | MORVAY SAMUEL | 2 | 4 | CHERVONOOKYI VSEVOLOD | 00-10 | 0:36 |
| 9 | STRUZIK JAKUB | 1 | 3 | STAREK JAKUB | 11-00 | 0:45 |
| 10 | MORVAY SAMUEL | 2 | 5 | HOTRA ROMAN | 00-00s2 | 3:00 |

Results

| Pos | Name |
|-----|-------------------------------------|
| 1 | STRUZIK JAKUB, MOSIR BOCHNIA |
| 2 | CHERVONOOKYI VSEVOLOD, JUDO UZHOROD |
| 3 | STAREK JAKUB, JC HRADEC KRALOVE |
| 4 | MORVAY SAMUEL, TJ MLADOST PP |
| 5 | HOTRA ROMAN, UZHOROD |

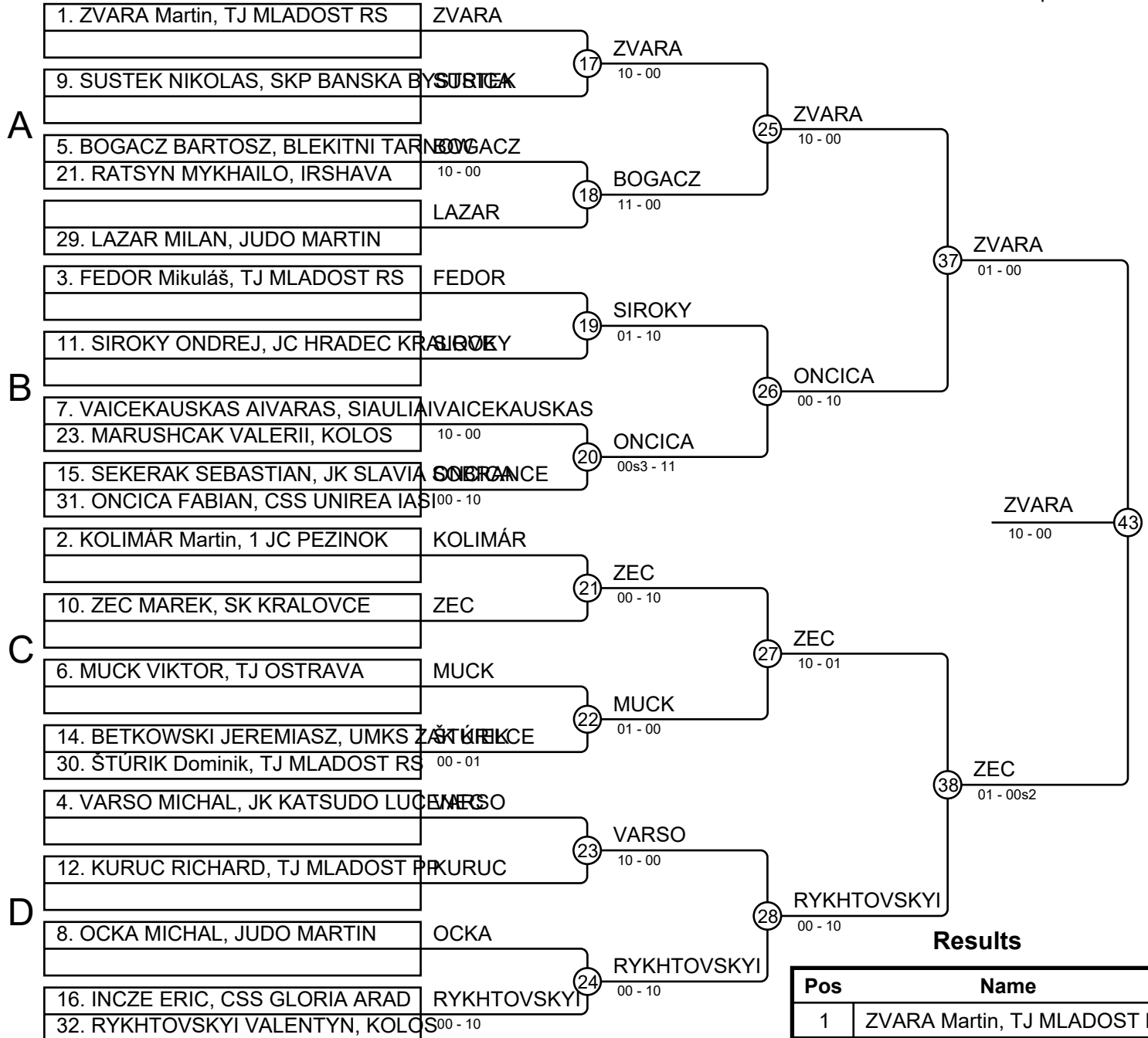
VT Michalovce 49. 22.06.2019 Michalovce MU13-34

Competitors: 11



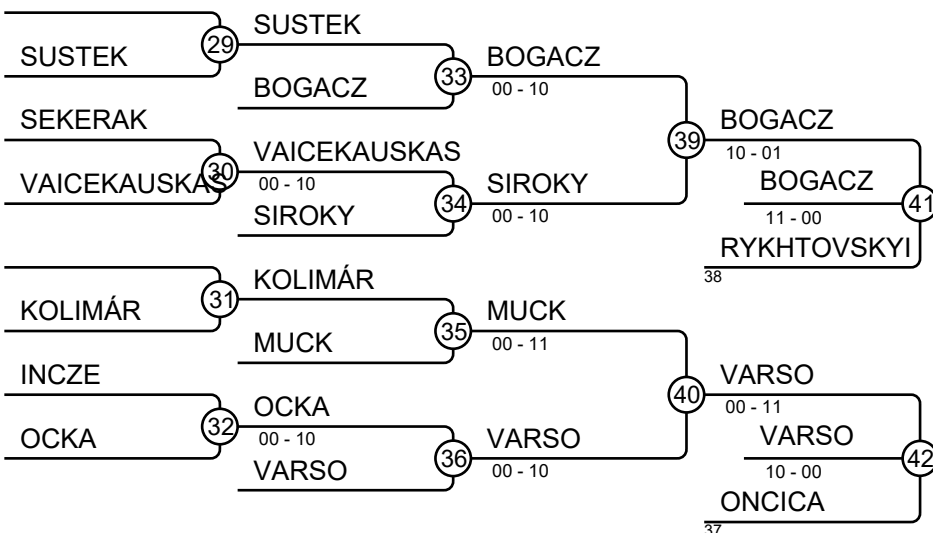
VT Michalovce 49. 22.06.2019 Michalovce MU13-38

Competitors: 21



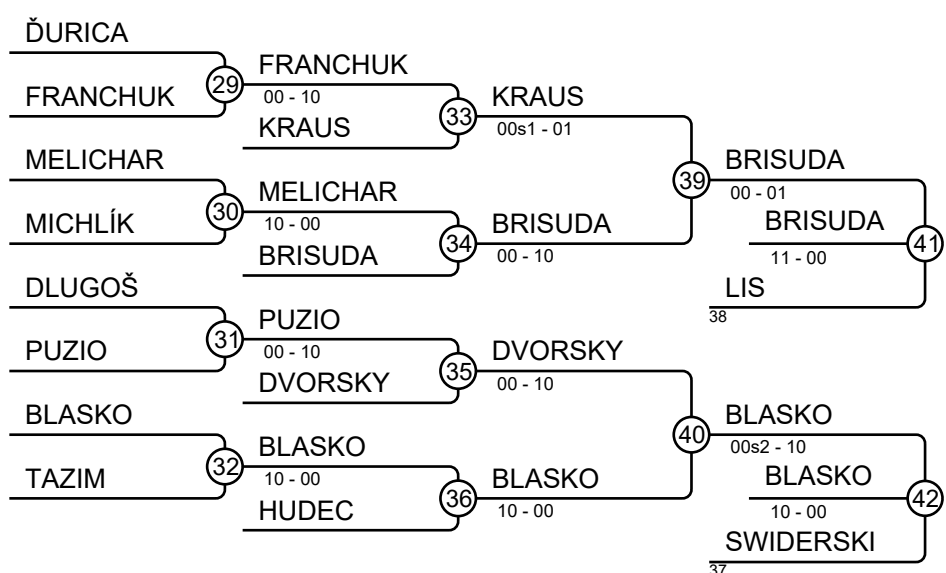
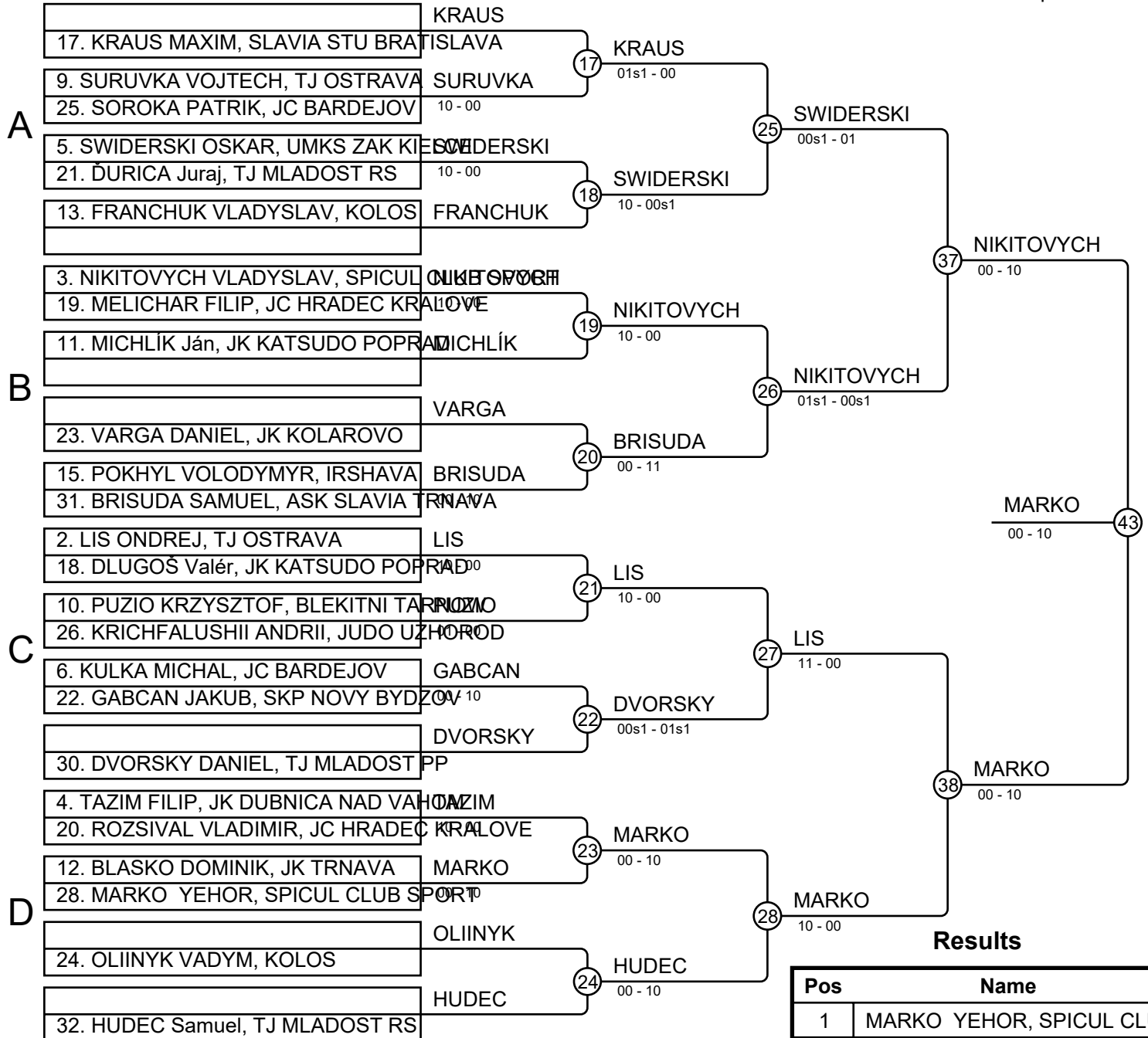
Results

| Pos | Name |
|-----|------------------------------------|
| 1 | ZVARA Martin, TJ MLADOST RS |
| 2 | ZEC MAREK, SK KRALOVCE |
| 3 | BOGACZ BARTOSZ, BLEKITNI TARNOWSKI |
| 3 | VARSO MICHAL, JK KATSUDO LUCENEC |
| 5 | RYKHTOVSKYI VALENTYN, KOLOS |
| 5 | ONCICA FABIAN, CSS UNIREA IASI |
| 7 | SIROKY ONDREJ, JC HRADEC KRALOVCE |
| 7 | MUCK VIKTOR, TJ OSTRAVA |



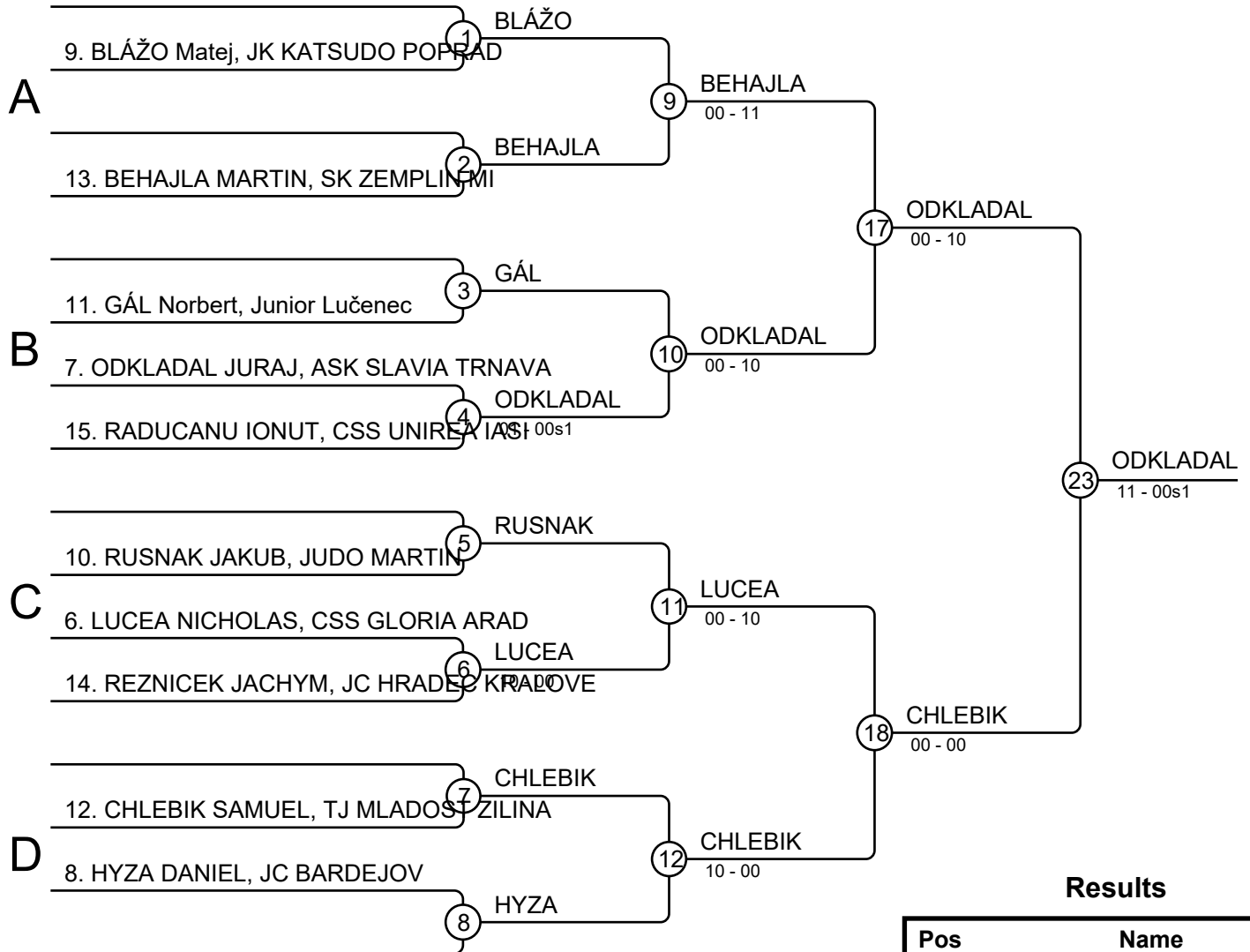
VT Michalovce 49. 22.06.2019 Michalovce MU13-42

Competitors: 25



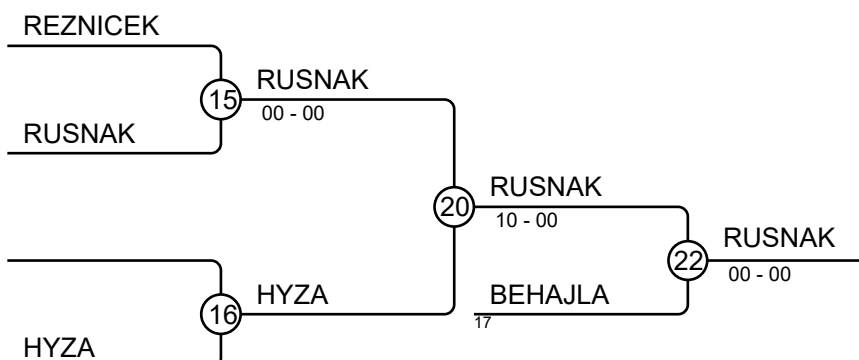
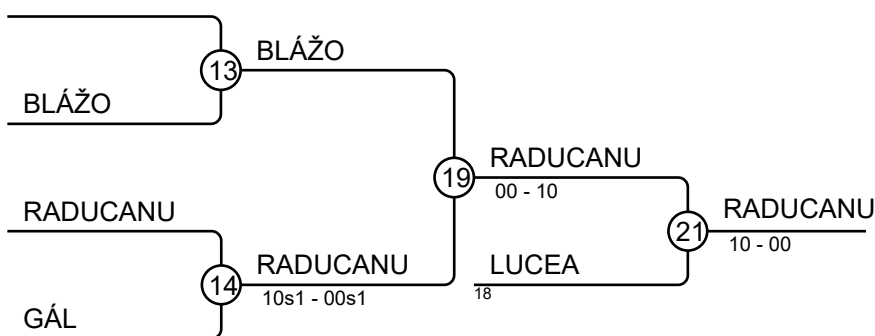
VT Michalovce 49. 22.06.2019 Michalovce MU13-46

Competitors: 10



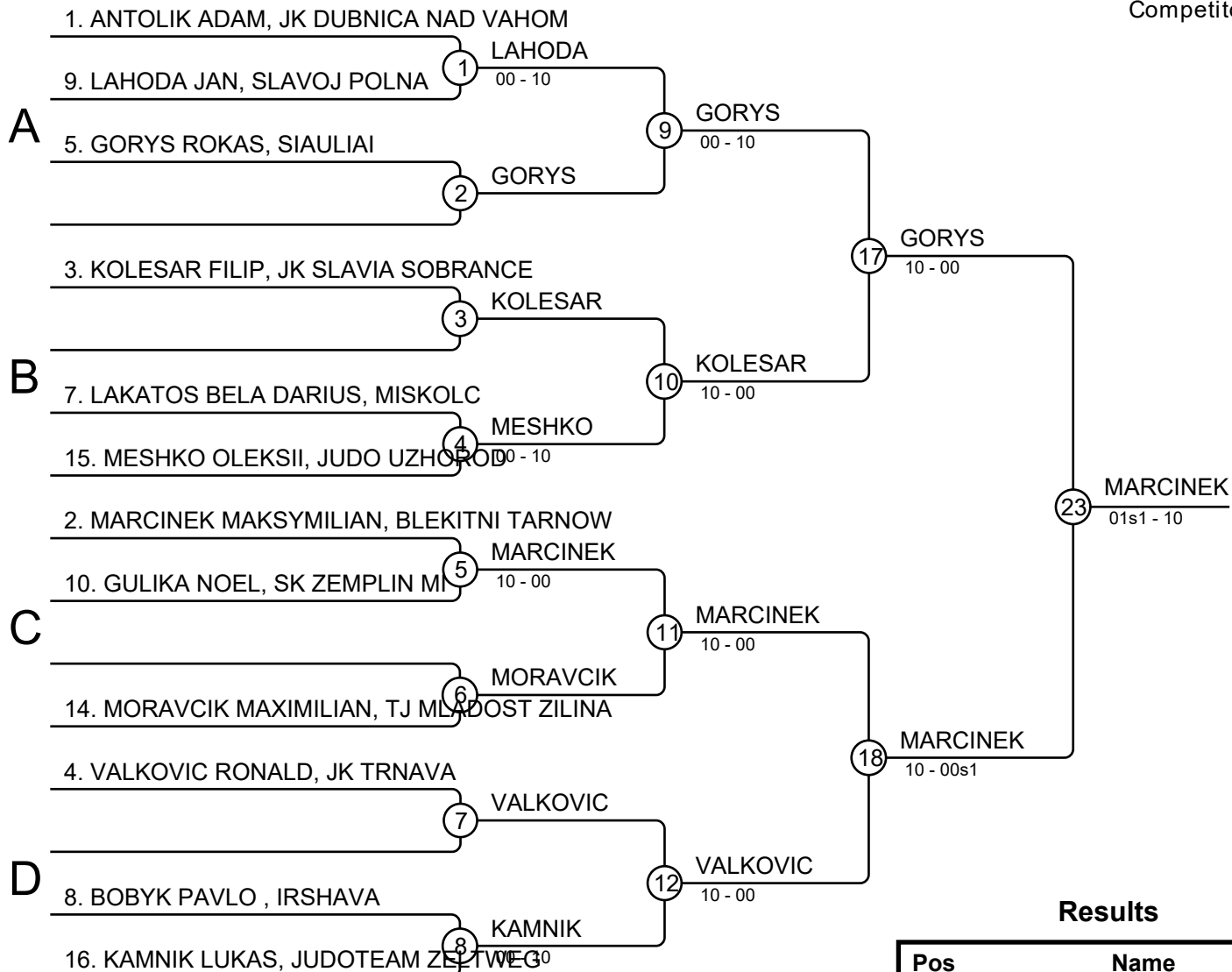
Results

| Pos | Name |
|-----|-----------------------------------|
| 1 | ODKLADAL JURAJ, ASK SLAVIA TRNAVA |
| 2 | CHLEBIK SAMUEL, TJ MLADOST ZILINA |
| 3 | RADUCANU IONUT, CSS UNIREA IASI |
| 3 | RUSNAK JAKUB, JUDO MARTIN |
| 5 | LUCEA NICHOLAS, CSS GLORIA ARAD |
| 5 | BEHAJLA MARTIN, SK ZEMPLIN MI |
| 7 | BLÁŽO Matej, JK KATSUDO POPRAD |
| 7 | HYZA DANIEL, JC BARDEJOV |



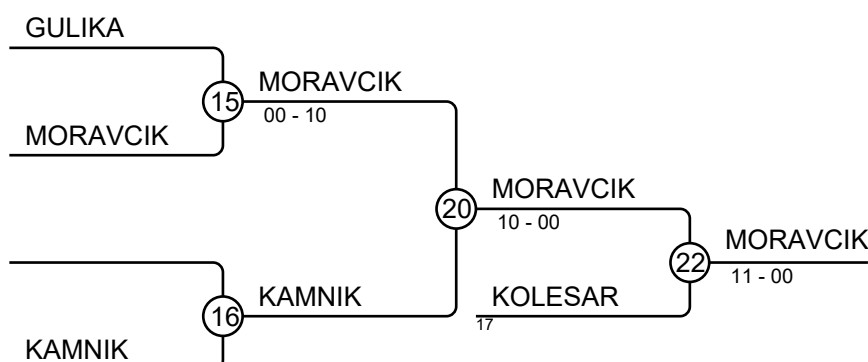
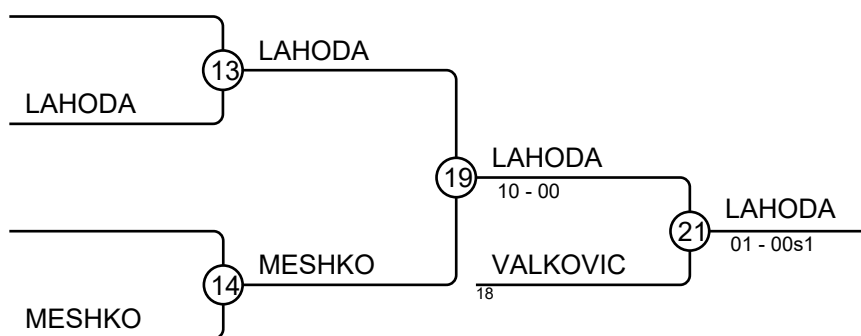
VT Michalovce 49. 22.06.2019 Michalovce MU13-50

Competitors: 12



Results

| Pos | Name |
|-----|----------------------------------------|
| 1 | MARCINEK MAKSYMILIAN, BLEKITNI TARNOW |
| 2 | GORYS ROKAS, SIAULIAI |
| 3 | LAHODA JAN, SLAVOJ POLNA |
| 3 | MORAVCIK MAXIMILIAN, TJ MLADOST ZILINA |
| 5 | VALKOVIC RONALD, JK TRNAVA |
| 5 | KOLESAR FILIP, JK SLAVIA SOBRANCE |
| 7 | MESHKO OLEKSII, JUDO UZHOROD |
| 7 | KAMNIK LUKAS, JUDOTEAM ZELTVEG |



VT Michalovce 49. 22.06.2019 Michalovce MU13-55

Competitors A

Competitors: 7

| # | Name | Grade | Club | 1 | 2 | 3 | 4 | Wins | Pts | Pos |
|---|--------------------|-------|---------------|---|---|----|----|------|-----|-----|
| 1 | SVIKLAS DOVYDAS | ? | ALYTAUS | | 1 | 10 | 10 | 3 | 21 | 1 |
| 2 | KVASNICA MARTIN | ? | TJ MLADOST PP | | | 10 | 10 | 2 | 20 | 2 |
| 3 | MARGITYH ROSTYSLAV | ? | IRSHAVA | | | | 1 | 1 | 1 | 3 |
| 4 | DZIUGYS ROKAS | ? | SIAULIAI | | | | | 0 | 0 | 4 |

Matches A

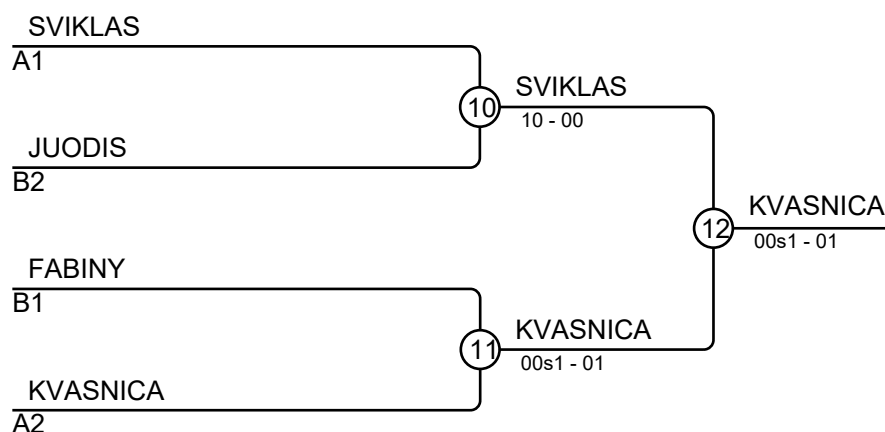
| Match | White | Grade | Blue | Result | Time |
|-------|--------------------|-------|--------------------|---------|------|
| 1 | SVIKLAS DOVYDAS | 1 2 | KVASNICA MARTIN | 01-00 | 2:00 |
| 2 | MARGITYH ROSTYSLAV | 3 4 | DZIUGYS ROKAS | 01-00 | 2:00 |
| 4 | SVIKLAS DOVYDAS | 1 3 | MARGITYH ROSTYSLAV | 10-00s1 | 2:00 |
| 5 | KVASNICA MARTIN | 2 4 | DZIUGYS ROKAS | 10-00 | 0:12 |
| 7 | SVIKLAS DOVYDAS | 1 4 | DZIUGYS ROKAS | 10s1-00 | 0:42 |
| 8 | KVASNICA MARTIN | 2 3 | MARGITYH ROSTYSLAV | 10-00 | 0:20 |

Competitors B

| # | Name | Grade | Club | 5 | 6 | 7 | Wins | Pts | Pos |
|---|----------------|-------|------------------|----|---|----|------|-----|-----|
| 5 | FEDELESH DANIL | ? | UZHOROD | | | | 0 | 0 | 3 |
| 6 | FABINY MATEJ | ? | SPISSKA NOVA VES | 10 | | 10 | 2 | 20 | 1 |
| 7 | JUODIS UGNIUS | ? | ALYTAUS | 10 | | | 1 | 10 | 2 |

Matches B

| Match | White | Grade | Blue | Result | Time |
|-------|----------------|-------|---------------|---------|------|
| 3 | FEDELESH DANIL | 5 6 | FABINY MATEJ | 00-10 | 2:23 |
| 6 | FEDELESH DANIL | 5 7 | JUODIS UGNIUS | 00-10s1 | 1:26 |
| 9 | FABINY MATEJ | 6 7 | JUODIS UGNIUS | 10-00s1 | 0:29 |



Results

| Pos | Name |
|-----|--------------------------------|
| 1 | KVASNICA MARTIN, TJ MLADOST PP |
| 2 | SVIKLAS DOVYDAS, ALYTAUS |
| 3 | JUODIS UGNIUS, ALYTAUS |
| 3 | FABINY MATEJ, SPISSKA NOVA VES |

VT Michalovce 49. 22.06.2019 Michalovce MU13-60

Competitors A

Competitors: 7

| # | Name | Grade | Club | 1 | 2 | 3 | 4 | Wins | Pts | Pos |
|---|-----------------|-------|------------------|---|----|----|---|------|-----|-----|
| 1 | KOSSUTH OLIVER | ? | JK LEVICE | | 10 | 10 | | 2 | 20 | 2 |
| 2 | OLSAVSKY OLIVER | ? | SPISSKA NOVA VES | | | | | 0 | 0 | 4 |
| 3 | NAVIKAS ROKAS | ? | ALYTAUS | | 10 | | | 1 | 10 | 3 |
| 4 | MOLNAR GERGO | ? | MOHA SC | 1 | 10 | 10 | | 3 | 21 | 1 |

Matches A

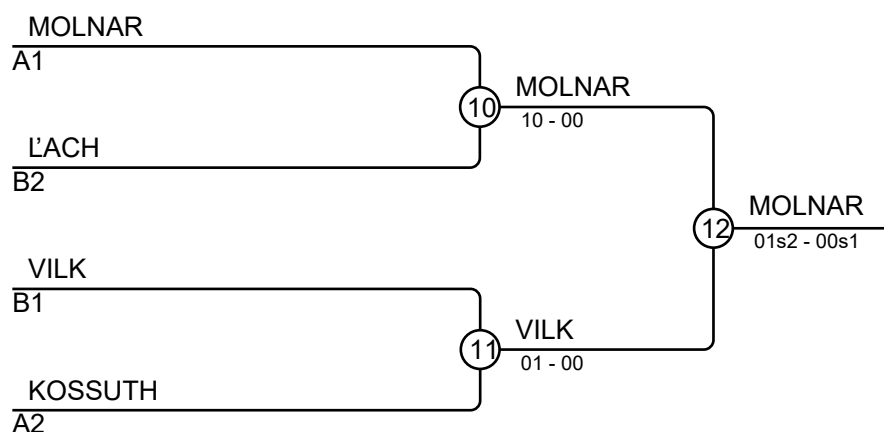
| Match | White | Grade | Blue | Result | Time |
|-------|-----------------|-------|-----------------|-----------|------|
| 1 | KOSSUTH OLIVER | 1 2 | OLSAVSKY OLIVER | 10-00 | 0:16 |
| 2 | NAVIKAS ROKAS | 3 4 | MOLNAR GERGO | 00-10 | 0:07 |
| 4 | KOSSUTH OLIVER | 1 3 | NAVIKAS ROKAS | 11-00 | 0:28 |
| 5 | OLSAVSKY OLIVER | 2 4 | MOLNAR GERGO | 00-11 | 0:25 |
| 7 | KOSSUTH OLIVER | 1 4 | MOLNAR GERGO | 00s1-01 | 2:18 |
| 8 | OLSAVSKY OLIVER | 2 3 | NAVIKAS ROKAS | 00s1-10s1 | 2:22 |

Competitors B

| # | Name | Grade | Club | 5 | 6 | 7 | Wins | Pts | Pos |
|---|-------------------|-------|-------------------|----|---|----|------|-----|-----|
| 5 | L'ACH Jakub | ? | JK KATSUDO POPRAD | | | 1 | 1 | 1 | 2 |
| 6 | VILK SAMUEL | ? | SK KRALOVCE | 10 | | 10 | 2 | 20 | 1 |
| 7 | MORKEVICIUS JURAS | ? | ALYTAUS | | | | 0 | 0 | 3 |

Matches B

| Match | White | Grade | Blue | Result | Time |
|-------|-------------|-------|-------------------|---------|------|
| 3 | L'ACH Jakub | 5 6 | VILK SAMUEL | 00-10 | 0:13 |
| 6 | L'ACH Jakub | 5 7 | MORKEVICIUS JURAS | 01s1-00 | 2:10 |
| 9 | VILK SAMUEL | 6 7 | MORKEVICIUS JURAS | 10-00 | 0:47 |



Results

| Pos | Name |
|-----|--------------------------------|
| 1 | MOLNAR GERGO, MOHA SC |
| 2 | VILK SAMUEL, SK KRALOVCE |
| 3 | L'ACH Jakub, JK KATSUDO POPRAD |
| 3 | KOSSUTH OLIVER, JK LEVICE |

VT Michalovce 49. 22.06.2019 Michalovce MU13-65

Competitors

Competitors: 3

| # | Name | Grade | Club | 1 | 2 | 3 | Wins | Pts | Pos |
|---|-----------------|-------|---------------------|---|----|----|------|-----|-----|
| 1 | SLAJFERCIK ADAM | ? | JK KATSUDO LUCENEC | | 10 | 10 | 2 | 20 | 1 |
| 2 | PETRUS SIMON | ? | MSK JUDO VRANOV N.T | | | 10 | 1 | 10 | 2 |
| 3 | HAJNECKY MARCO | ? | JUDO MARTIN | | | | 0 | 0 | 3 |

Matches

| Match | White | | | Blue | Result | Time |
|-------|-----------------|---|---|----------------|---------|------|
| 1 | SLAJFERCIK ADAM | 1 | 2 | PETRUS SIMON | 10s1-00 | 1:44 |
| 2 | SLAJFERCIK ADAM | 1 | 3 | HAJNECKY MARCO | 10-00 | 0:18 |
| 3 | PETRUS SIMON | 2 | 3 | HAJNECKY MARCO | 10-00 | 1:04 |

Results

| Pos | Name |
|-----|-------------------------------------|
| 1 | SLAJFERCIK ADAM, JK KATSUDO LUCENEC |
| 2 | PETRUS SIMON, MSK JUDO VRANOV N.T |
| 3 | HAJNECKY MARCO, JUDO MARTIN |

VT Michalovce 49. 22.06.2019 Michalovce MU13+65

Competitors

Competitors: 4

| # | Name | Grade | Club | 1 | 2 | 3 | 4 | Wins | Pts | Pos |
|---|----------------------|-------|---------------|----|---|----|----|------|-----|-----|
| 1 | GARLIAUSKAS ERNESTAS | ? | ALYTAUS | | | 10 | 10 | 2 | 20 | 2 |
| 2 | KAVALIAUSKAS PAULIUS | ? | ALYTAUS | 10 | | 10 | 10 | 3 | 30 | 1 |
| 3 | OČENÁŠ Martin | ? | TJ MLADOST RS | | | | 0 | 1 | 0 | 3 |
| 4 | BENČURIK Ján | ? | 1 JC PEZINOK | | | | | 0 | 0 | 4 |

Matches

| Match | White | Blue | Result | Time |
|-------|--------------------------|----------------------|-----------|------|
| 1 | GARLIAUSKAS ERNESTAS 1 2 | KAVALIAUSKAS PAULIUS | 01-10 | 1:07 |
| 2 | OČENÁŠ Martin 3 4 | BENČURIK Ján | 0-0 | 3:00 |
| 3 | GARLIAUSKAS ERNESTAS 1 3 | OČENÁŠ Martin | 10-00 | 0:45 |
| 4 | KAVALIAUSKAS PAULIUS 2 4 | BENČURIK Ján | 10s1-00s2 | 1:33 |
| 5 | GARLIAUSKAS ERNESTAS 1 4 | BENČURIK Ján | 10-00 | 0:22 |
| 6 | KAVALIAUSKAS PAULIUS 2 3 | OČENÁŠ Martin | 10-00s1 | 0:49 |

Results

| Pos | Name |
|-----|-------------------------------|
| 1 | KAVALIAUSKAS PAULIUS, ALYTAUS |
| 2 | GARLIAUSKAS ERNESTAS, ALYTAUS |
| 3 | OČENÁŠ Martin, TJ MLADOST RS |
| 4 | BENČURIK Ján, 1 JC PEZINOK |

VT Michalovce 49. 22.06.2019 Michalovce FU15-40

Competitors

Competitors: 2

| # | Name | Grade | Club | 1 | 2 | 1 | 2 | 1 | 2 | Wins | Pts | Pos |
|---|-----------------|-------|-----------------|----|---|----|---|---|---|------|-----|-----|
| 1 | MORARU GABRIELA | ? | CSS UNIREA IASI | | | | | | | 0 | 0 | 2 |
| 2 | SEKOVA MARTINA | ? | JK SPARTA PB | 10 | | 10 | | | | 2 | 20 | 1 |

Matches

| Match | White | Grade | Blue | Result | Time |
|-------|-----------------|-------|----------------|--------|------|
| 1 | MORARU GABRIELA | 1 2 | SEKOVA MARTINA | 00-10 | 0:15 |
| 2 | MORARU GABRIELA | 1 2 | SEKOVA MARTINA | 00-10 | 0:14 |
| 3 | MORARU GABRIELA | 1 2 | SEKOVA MARTINA | | |

Results

| Pos | Name |
|-----|----------------------------------|
| 1 | SEKOVA MARTINA, JK SPARTA PB |
| 2 | MORARU GABRIELA, CSS UNIREA IASI |

VT Michalovce 49. 22.06.2019 Michalovce FU15-44

Competitors

Competitors: 4

| # | Name | Grade | Club | 1 | 2 | 3 | 4 | Wins | Pts | Pos |
|---|-----------------|-------|---------------------|---|----|----|----|------|-----|-----|
| 1 | TITKOVA SARA | ? | MSK JUDO VRANOV N.T | | 10 | 10 | 10 | 3 | 30 | 1 |
| 2 | VANEKOVA TEREZA | ? | JC BARDEJOV | | | | 10 | 1 | 10 | 3 |
| 3 | MERCEA CRISTINA | ? | DOMASZEK | | 10 | | 10 | 2 | 20 | 2 |
| 4 | TOMASH HANNAH | ? | IRSHAVA | | | | | 0 | 0 | 4 |

Matches

| Match | White | White | Blue | Result | Time |
|-------|-----------------|-------|------|-----------------|---------------|
| 1 | TITKOVA SARA | 1 | 2 | VANEKOVA TEREZA | 10-00 0:13 |
| 2 | MERCEA CRISTINA | 3 | 4 | TOMASH HANNAH | 10-00 0:42 |
| 3 | TITKOVA SARA | 1 | 3 | MERCEA CRISTINA | 10-00 3:00 |
| 4 | VANEKOVA TEREZA | 2 | 4 | TOMASH HANNAH | 10-00 1:25 |
| 5 | TITKOVA SARA | 1 | 4 | TOMASH HANNAH | 10-00 0:20 |
| 6 | VANEKOVA TEREZA | 2 | 3 | MERCEA CRISTINA | 00-10 2:57 |

Results

| Pos | Name |
|-----|-----------------------------------|
| 1 | TITKOVA SARA, MSK JUDO VRANOV N.T |
| 2 | MERCEA CRISTINA, DOMASZEK |
| 3 | VANEKOVA TEREZA, JC BARDEJOV |
| 4 | TOMASH HANNAH, IRSHAVA |

VT Michalovce 49. 22.06.2019 Michalovce FU15-48

Competitors

Competitors: 2

| # | Name | Grade | Club | 1 | 2 | 1 | 2 | 1 | 2 | Wins | Pts | Pos |
|---|--------------------|-------|-----------------|----|---|----|---|---|---|------|-----|-----|
| 1 | PATKOVA MARKETA | ? | SKP NOVY BYDZOV | | | | | | | 0 | 0 | 2 |
| 2 | BERNKRAUTOVA ANETA | ? | SKP NOVY BYDZOV | 10 | | 10 | | | | 2 | 20 | 1 |

Matches

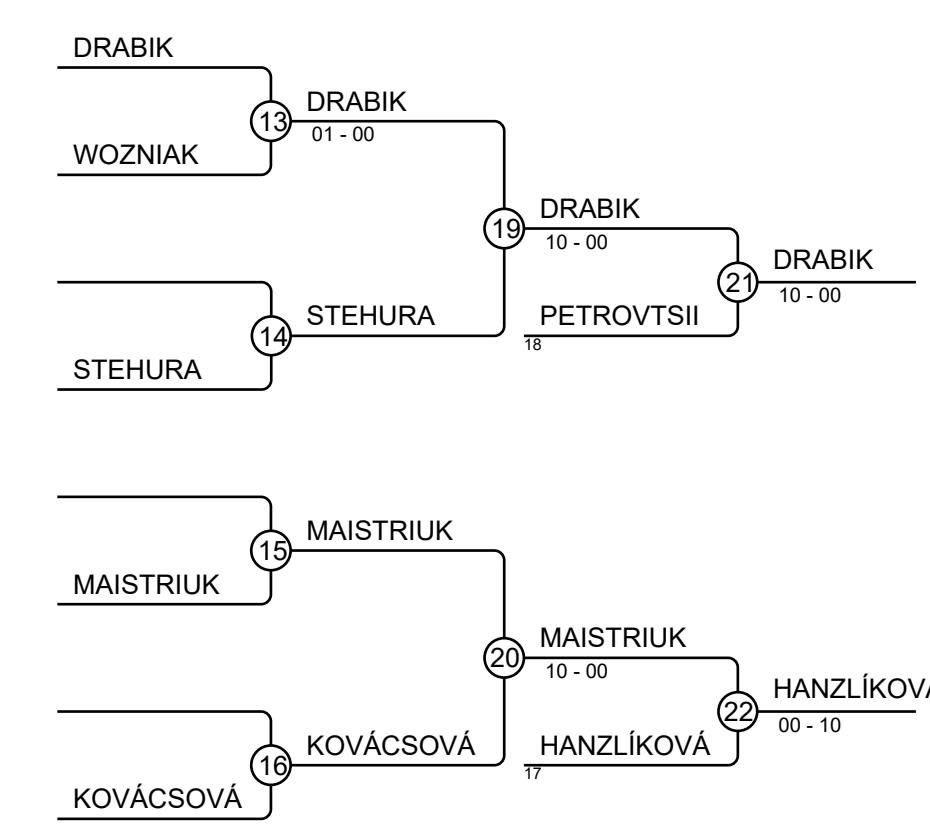
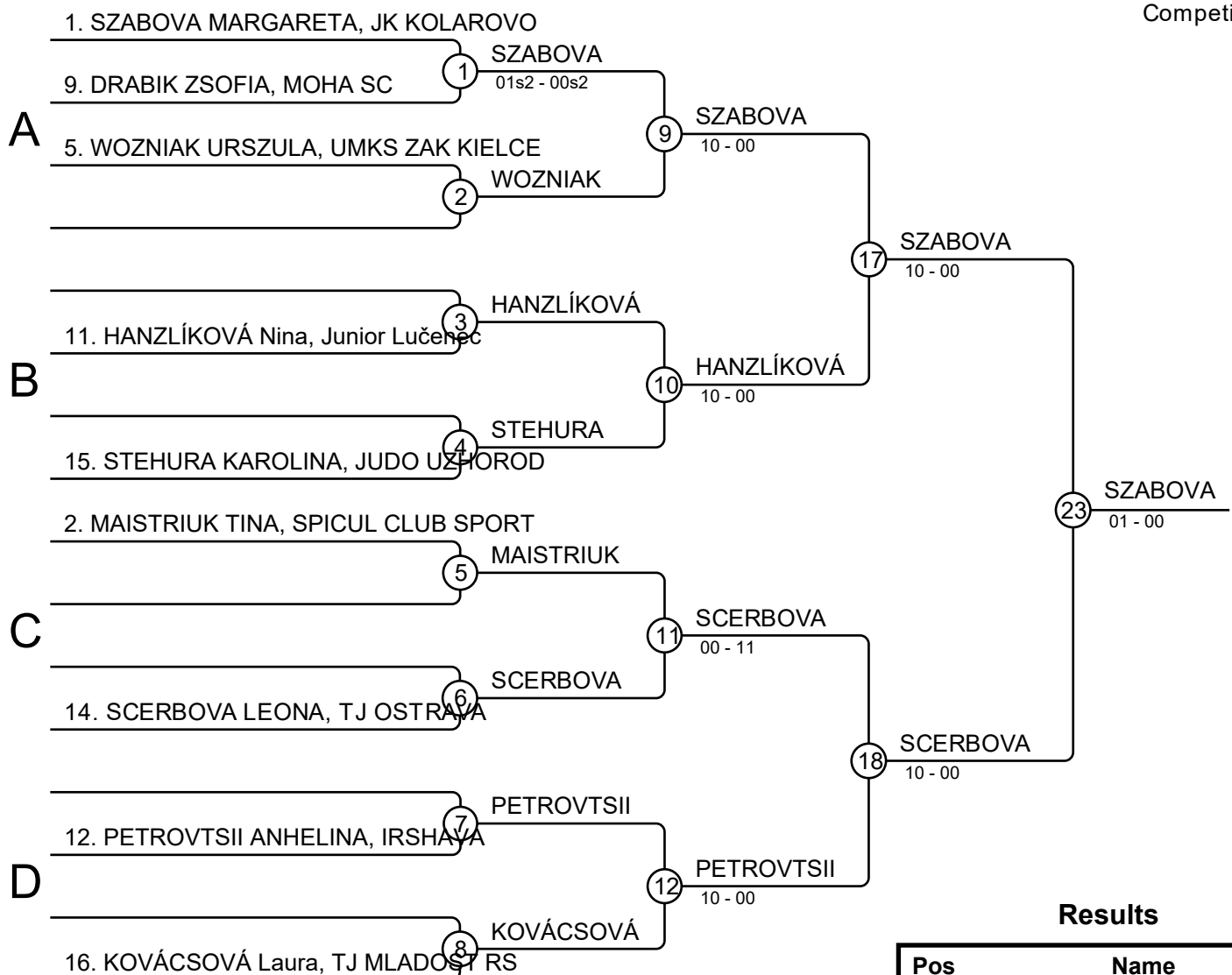
| Match | White | | | Blue | Result | Time |
|-------|-----------------|---|---|--------------------|--------|------|
| 1 | PATKOVA MARKETA | 1 | 2 | BERNKRAUTOVA ANETA | 00-10 | 1:03 |
| 2 | PATKOVA MARKETA | 1 | 2 | BERNKRAUTOVA ANETA | 00-10 | 0:27 |
| 3 | PATKOVA MARKETA | 1 | 2 | BERNKRAUTOVA ANETA | | |

Results

| Pos | Name |
|-----|-------------------------------------|
| 1 | BERNKRAUTOVA ANETA, SKP NOVY BYDZOV |
| 2 | PATKOVA MARKETA, SKP NOVY BYDZOV |

VT Michalovce 49. 22.06.2019 Michalovce FU15-52

Competitors: 9



Results

| Pos | Name |
|-----|-----------------------------------|
| 1 | SZABOVA MARGARETA, JK KOLAROVO |
| 2 | SCERBOVA LEONA, TJ OSTRAVA |
| 3 | DRABIK ZSOFIA, MOHA SC |
| 3 | HANZLIKOVA Nina, Junior Lučenec |
| 5 | PETROVTSII ANHELINA, IRSHAVA |
| 5 | MAISTRIUK TINA, SPICUL CLUB SPORT |
| 7 | STEHURA KAROLINA, JUDO UZHOROD |
| 7 | KOVACSOVA Laura, TJ MLADOST F |

VT Michalovce 49. 22.06.2019 Michalovce FU15-57

Competitors

Competitors: 3

| # | Name | Grade | Club | 1 | 2 | 3 | Wins | Pts | Pos |
|---|-----------------|-------|----------------|----|---|---|------|-----|-----|
| 1 | MEZOOVÁ Karmen | ? | Junior Lučenec | | | | 0 | 0 | 3 |
| 2 | TOMÁNKOVÁ Lenka | ? | 1 JC PEZINOK | 10 | | 1 | 2 | 11 | 1 |
| 3 | AVTUHOVA ALIKA | ? | VENTSPILS | 10 | | | 1 | 10 | 2 |

Matches

| Match | White | | | Blue | Result | Time |
|-------|-----------------|---|---|-----------------|--------|------|
| 1 | MEZOOVÁ Karmen | 1 | 2 | TOMÁNKOVÁ Lenka | 00-10 | 0:18 |
| 2 | MEZOOVÁ Karmen | 1 | 3 | AVTUHOVA ALIKA | 00-10 | 0:27 |
| 3 | TOMÁNKOVÁ Lenka | 2 | 3 | AVTUHOVA ALIKA | 01-00 | 3:00 |

Results

| Pos | Name |
|-----|--------------------------------|
| 1 | TOMÁNKOVÁ Lenka, 1 JC PEZINOK |
| 2 | AVTUHOVA ALIKA, VENTSPILS |
| 3 | MEZOOVÁ Karmen, Junior Lučenec |

VT Michalovce 49. 22.06.2019 Michalovce FU15-63

Competitors

Competitors: 3

| # | Name | Grade | Club | 1 | 2 | 3 | Wins | Pts | Pos |
|---|-----------------------|-------|----------------------|---|----|----|------|-----|-----|
| 1 | KLIMKIEWICZ KATARZYNA | ? | UMKS ZAK KIELCE | | 10 | 10 | 2 | 20 | 1 |
| 2 | SABADKOVA VANESA | ? | JK DUBNICA NAD VAHOM | | | 10 | 1 | 10 | 2 |
| 3 | HUSH DEIMANTE | ? | ALYTAUS | | | | 0 | 0 | 3 |

Matches

| Match | White | | | Blue | Result | Time |
|-------|-----------------------|---|---|------------------|--------|------|
| 1 | KLIMKIEWICZ KATARZYNA | 1 | 2 | SABADKOVA VANESA | 10-00 | 2:29 |
| 2 | KLIMKIEWICZ KATARZYNA | 1 | 3 | HUSH DEIMANTE | 10-00 | 1:39 |
| 3 | SABADKOVA VANESA | 2 | 3 | HUSH DEIMANTE | 10-00 | 1:25 |

Results

| Pos | Name |
|-----|----------------------------------------|
| 1 | KLIMKIEWICZ KATARZYNA, UMKS ZAK KIELCE |
| 2 | SABADKOVA VANESA, JK DUBNICA NAD VAHOM |
| 3 | HUSH DEIMANTE, ALYTAUS |

VT Michalovce 49. 22.06.2019 Michalovce FU15+63

Competitors

Competitors: 1

| # | Name | Grade | Club | 1 | Wins | Pts | Pos |
|---|---------------|-------|---------------------|---|------|-----|-----|
| 1 | LAPOVA DOROTA | ? | MSK JUDO VRANOV N.T | | 0 | 0 | 1 |

Matches

| Match | White | Blue | Result | Time |
|-------|-------|------|--------|------|
|-------|-------|------|--------|------|

Results

| Pos | Name |
|-----|------------------------------------|
| 1 | LAPOVA DOROTA, MSK JUDO VRANOV N.T |

VT Michalovce 49. 22.06.2019 Michalovce MU15-34

Competitors

Competitors: 3

| # | Name | Grade | Club | 1 | 2 | 3 | Wins | Pts | Pos |
|---|------------------|-------|---------------|----|----|---|------|-----|-----|
| 1 | ĐURČO Filip | ? | TJ MLADOST RS | | 10 | | 1 | 10 | 2 |
| 2 | DZADZOVSKY LUKAS | ? | SK KRALOVCE | | | | 0 | 0 | 3 |
| 3 | SMEJKAL STEPAN | ? | SLAVOJ POLNA | 10 | 10 | | 2 | 20 | 1 |

Matches

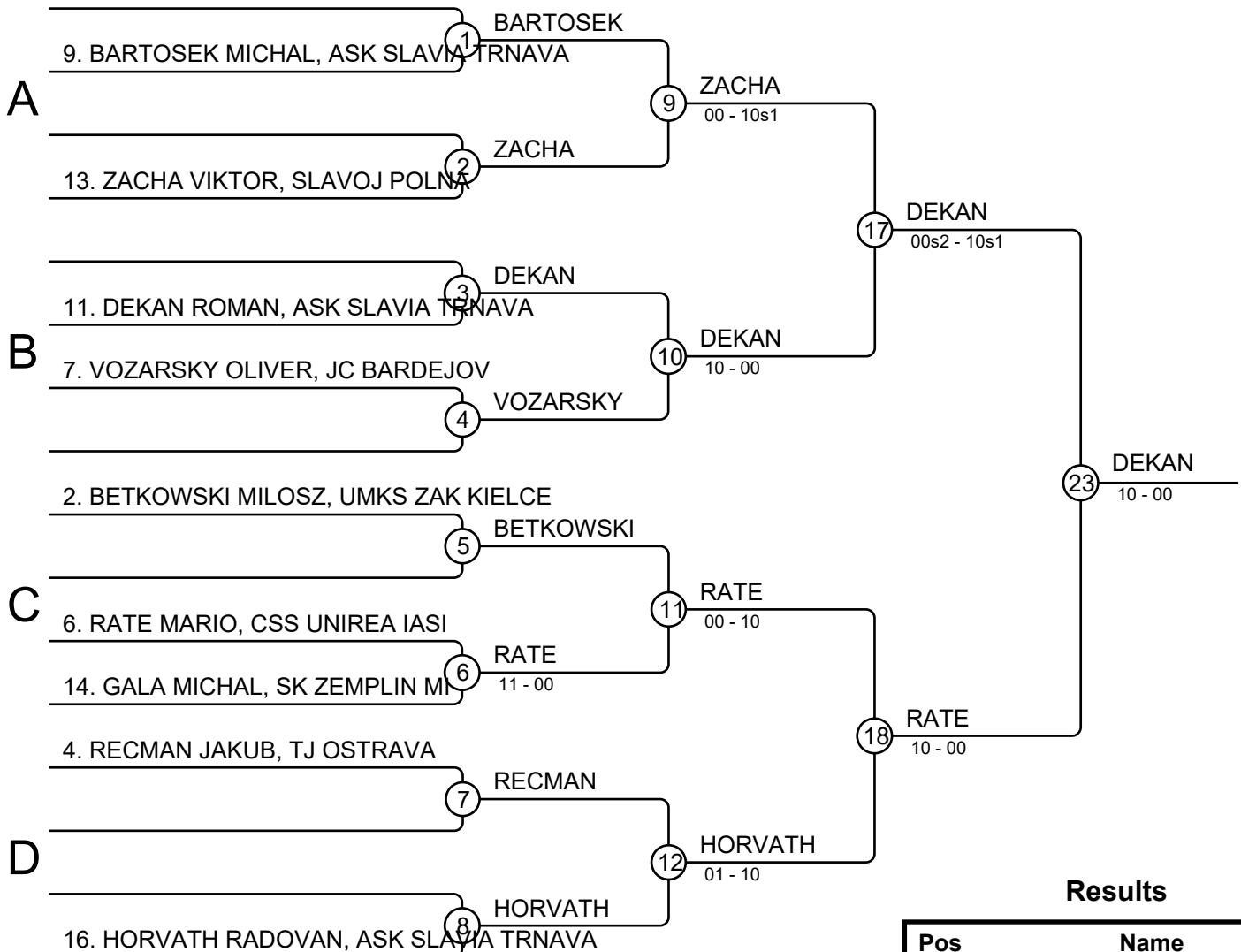
| Match | White | | | Blue | Result | Time |
|-------|------------------|---|---|------------------|---------|------|
| 1 | ĐURČO Filip | 1 | 2 | DZADZOVSKY LUKAS | 10-00 | 0:22 |
| 2 | ĐURČO Filip | 1 | 3 | SMEJKAL STEPAN | 00-10s2 | 2:56 |
| 3 | DZADZOVSKY LUKAS | 2 | 3 | SMEJKAL STEPAN | 00-10 | 0:08 |

Results

| Pos | Name |
|-----|-------------------------------|
| 1 | SMEJKAL STEPAN, SLAVOJ POLNA |
| 2 | ĐURČO Filip, TJ MLADOST RS |
| 3 | DZADZOVSKY LUKAS, SK KRALOVCE |

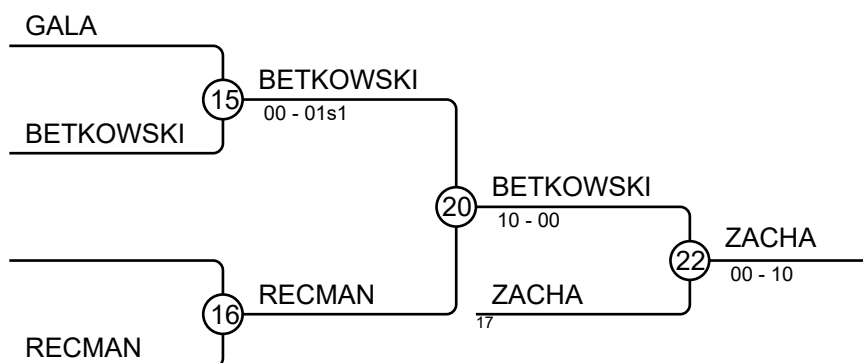
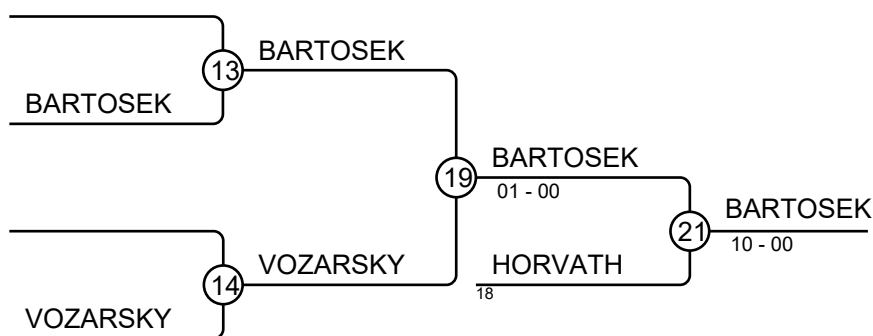
VT Michalovce 49. 22.06.2019 Michalovce MU15-38

Competitors: 9



Results

| Pos | Name |
|-----|------------------------------------|
| 1 | DEKAN ROMAN, ASK SLAVIA TRNAVA |
| 2 | RATE MARIO, CSS UNIREA IASI |
| 3 | BARTOSEK MICHAL, ASK SLAVIA TRNAVA |
| 3 | ZACHA VIKTOR, SLAVOJ POLNA |
| 5 | HORVATH RADOVAN, ASK SLAVIA TRNAVA |
| 5 | BETKOWSKI MILOSZ, UMKS ZAK KIELCE |
| 7 | VOZARSKY OLIVER, JC BARDEJOV |
| 7 | RECMAN JAKUB, TJ OSTRAVA |



VT Michalovce 49. 22.06.2019 Michalovce MU15-42

Competitors

Competitors: 5

| # | Name | Grade | Club | 1 | 2 | 3 | 4 | 5 | Wins | Pts | Pos |
|---|-----------------|-------|---------------------|----|----|----|----|---|------|-----|-----|
| 1 | GRENA TOBIAS | ? | TJ MLADOST PP | | 10 | 10 | | | 2 | 20 | 3 |
| 2 | TITKO SIMON | ? | MSK JUDO VRANOV N.T | | | 1 | | | 1 | 1 | 4 |
| 3 | PACUTA LADISLAV | ? | TJ OSTRAVA | | | | | | 0 | 0 | 5 |
| 4 | BUZINKAY Filip | ? | 1 JC PEZINOK | 10 | 10 | 1 | | | 3 | 21 | 2 |
| 5 | TOMÁNEK Jozef | ? | 1 JC PEZINOK | 10 | 10 | 10 | 10 | | 4 | 40 | 1 |

Matches

| Match | White | Blue | Result | Time |
|-------|-----------------|---------------------|---------|------|
| 1 | BUZINKAY Filip | 4 5 TOMÁNEK Jozef | 00-10 | 1:08 |
| 2 | GRENA TOBIAS | 1 2 TITKO SIMON | 10-01 | 4:31 |
| 3 | PACUTA LADISLAV | 3 4 BUZINKAY Filip | 00-01 | 3:00 |
| 4 | GRENA TOBIAS | 1 5 TOMÁNEK Jozef | 00s1-11 | 1:18 |
| 5 | TITKO SIMON | 2 3 PACUTA LADISLAV | 01s1-00 | 3:00 |
| 6 | GRENA TOBIAS | 1 4 BUZINKAY Filip | 00-10 | 5:31 |
| 7 | PACUTA LADISLAV | 3 5 TOMÁNEK Jozef | 00-10 | 1:12 |
| 8 | TITKO SIMON | 2 4 BUZINKAY Filip | 00-10 | 0:47 |
| 9 | GRENA TOBIAS | 1 3 PACUTA LADISLAV | 10s1-00 | 2:11 |
| 10 | TITKO SIMON | 2 5 TOMÁNEK Jozef | 00-10 | 0:10 |

Results

| Pos | Name |
|-----|----------------------------------|
| 1 | TOMÁNEK Jozef, 1 JC PEZINOK |
| 2 | BUZINKAY Filip , 1 JC PEZINOK |
| 3 | GRENA TOBIAS, TJ MLADOST PP |
| 4 | TITKO SIMON, MSK JUDO VRANOV N.T |
| 5 | PACUTA LADISLAV, TJ OSTRAVA |

VT Michalovce 49. 22.06.2019 Michalovce MU15-46

Competitors A

Competitors: 6

| # | Name | Grade | Club | 1 | 2 | 3 | Wins | Pts | Pos |
|---|----------------|-------|----------------------|---|----|----|------|-----|-----|
| 1 | CWIK MICHAL | ? | MOSIR BOCHNIA | | 10 | 10 | 2 | 20 | 1 |
| 2 | ANTOLIK MARTIN | ? | JK DUBNICA NAD VAHOM | | | | 0 | 0 | 3 |
| 3 | NOVOTNY MAREK | ? | JC HRADEC KRALOVE | | 10 | | 1 | 10 | 2 |

Matches A

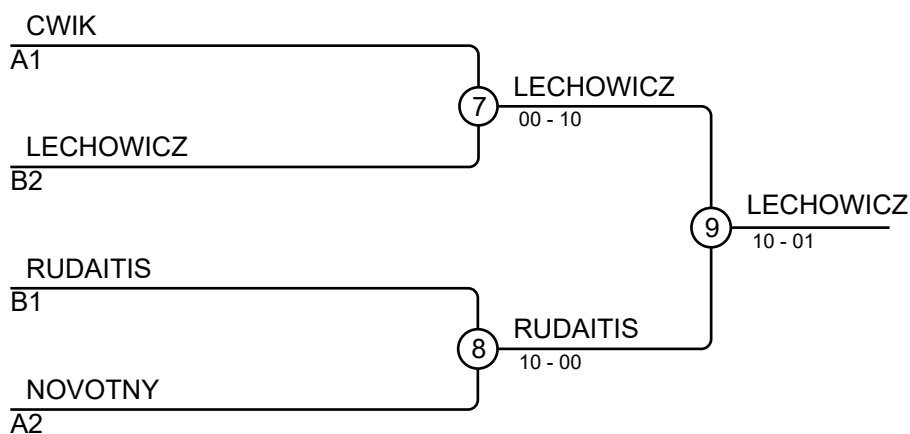
| Match | White | Blue | Result | Time |
|-------|--------------------|----------------|---------|------|
| 1 | CWIK MICHAL 1 2 | ANTOLIK MARTIN | 11s1-00 | 2:16 |
| 3 | CWIK MICHAL 1 3 | NOVOTNY MAREK | 10-00 | 1:15 |
| 5 | ANTOLIK MARTIN 2 3 | NOVOTNY MAREK | 00-10 | 1:15 |

Competitors B

| # | Name | Grade | Club | 4 | 5 | 6 | Wins | Pts | Pos |
|---|---------------------|-------|-----------------|----|---|----|------|-----|-----|
| 4 | NOVOTNY MICHAL | ? | TJ MLADOST PP | | | | 0 | 0 | 3 |
| 5 | RUDAITIS ALANAS | ? | ALYTAUS | 10 | | 10 | 2 | 20 | 1 |
| 6 | LECHOWICZ ARKADIUSZ | ? | BLEKITNI TARNOW | 10 | | | 1 | 10 | 2 |

Matches B

| Match | White | Blue | Result | Time |
|-------|---------------------|---------------------|--------|------|
| 2 | NOVOTNY MICHAL 4 5 | RUDAITIS ALANAS | 00-10 | 0:32 |
| 4 | NOVOTNY MICHAL 4 6 | LECHOWICZ ARKADIUSZ | 00-10 | 0:52 |
| 6 | RUDAITIS ALANAS 5 6 | LECHOWICZ ARKADIUSZ | 10-01 | 1:59 |



Results

| Pos | Name |
|-----|--------------------------------------|
| 1 | LECHOWICZ ARKADIUSZ, BLEKITNI TARNOW |
| 2 | RUDAITIS ALANAS, ALYTAUS |
| 3 | CWIK MICHAL, MOSIR BOCHNIA |
| 3 | NOVOTNY MAREK, JC HRADEC KRALOVE |

VT Michalovce 49. 22.06.2019 Michalovce MU15-50

Competitors A

Competitors: 8

| # | Name | Grade | Club | 1 | 2 | 3 | 4 | Wins | Pts | Pos |
|---|-------------------------|-------|-----------------|----|----|----|---|------|-----|-----|
| 1 | BUKOVIC PETER | ? | TJ MLADOST PP | | | | | 0 | 0 | 4 |
| 2 | CIUCIULET TEO | ? | CSS UNIREA IASI | 10 | | 10 | | 2 | 20 | 2 |
| 3 | LIUTVINAVICIUS DEIVIDAS | ? | ALYTAUS | 10 | | | | 1 | 10 | 3 |
| 4 | TANCZOS MARTON | ? | JK KOLAROVO | 10 | 10 | 10 | | 3 | 30 | 1 |

Matches A

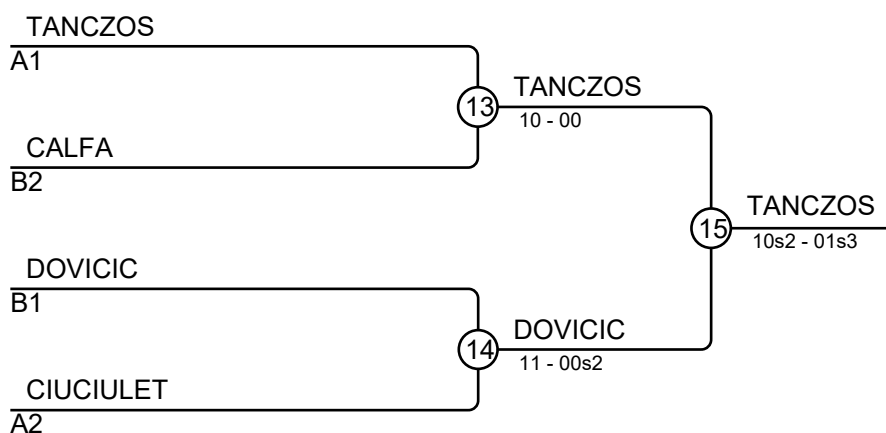
| Match | White | Blue | Result | Time |
|-------|---------------------------|---------------------------|--------|------|
| 1 | BUKOVIC PETER 1 | CIUCIULET TEO 2 | 00-10 | 0:16 |
| 3 | LIUTVINAVICIUS DEIVIDAS 3 | TANCZOS MARTON 4 | 00-10 | 0:13 |
| 5 | BUKOVIC PETER 1 | LIUTVINAVICIUS DEIVIDAS 3 | 00-10 | 0:36 |
| 7 | CIUCIULET TEO 2 | TANCZOS MARTON 4 | 01-10 | 2:24 |
| 9 | BUKOVIC PETER 1 | TANCZOS MARTON 4 | 00-10 | 0:35 |
| 11 | CIUCIULET TEO 2 | LIUTVINAVICIUS DEIVIDAS 3 | 10-00 | 1:30 |

Competitors B

| # | Name | Grade | Club | 5 | 6 | 7 | 8 | Wins | Pts | Pos |
|---|---------------|-------|---------------------|----|----|---|----|------|-----|-----|
| 5 | MICAK ONDREJ | ? | JC HRADEC KRALOVE | | 10 | | | 1 | 10 | 4 |
| 6 | CALFA VLADO | ? | MSK JUDO VRANOV N.T | | | | 10 | 1 | 10 | 2 |
| 7 | DOVICIC TOMAS | ? | JK KATSUDO LUCENEC | 10 | 10 | | 10 | 3 | 30 | 1 |
| 8 | BUDZYN MICHAL | ? | MOSIR BOCHNIA | 10 | | | | 1 | 10 | 3 |

Matches B

| Match | White | Blue | Result | Time |
|-------|-----------------|-----------------|--------|------|
| 2 | MICAK ONDREJ 5 | CALFA VLADO 6 | 10-00 | 0:36 |
| 4 | DOVICIC TOMAS 7 | BUDZYN MICHAL 8 | 10-00 | 0:25 |
| 6 | MICAK ONDREJ 5 | DOVICIC TOMAS 7 | 00-11 | 0:31 |
| 8 | CALFA VLADO 6 | BUDZYN MICHAL 8 | 10-00 | 1:51 |
| 10 | MICAK ONDREJ 5 | BUDZYN MICHAL 8 | 00-11 | 0:45 |
| 12 | CALFA VLADO 6 | DOVICIC TOMAS 7 | 00-10 | 0:17 |



Results

| Pos | Name |
|-----|-----------------------------------|
| 1 | TANCZOS MARTON, JK KOLAROVO |
| 2 | DOVICIC TOMAS, JK KATSUDO LUCENEC |
| 3 | CALFA VLADO, MSK JUDO VRANOV N.T |
| 3 | CIUCIULET TEO, CSS UNIREA IASI |

VT Michalovce 49. 22.06.2019 Michalovce MU15-55

Competitors: 9

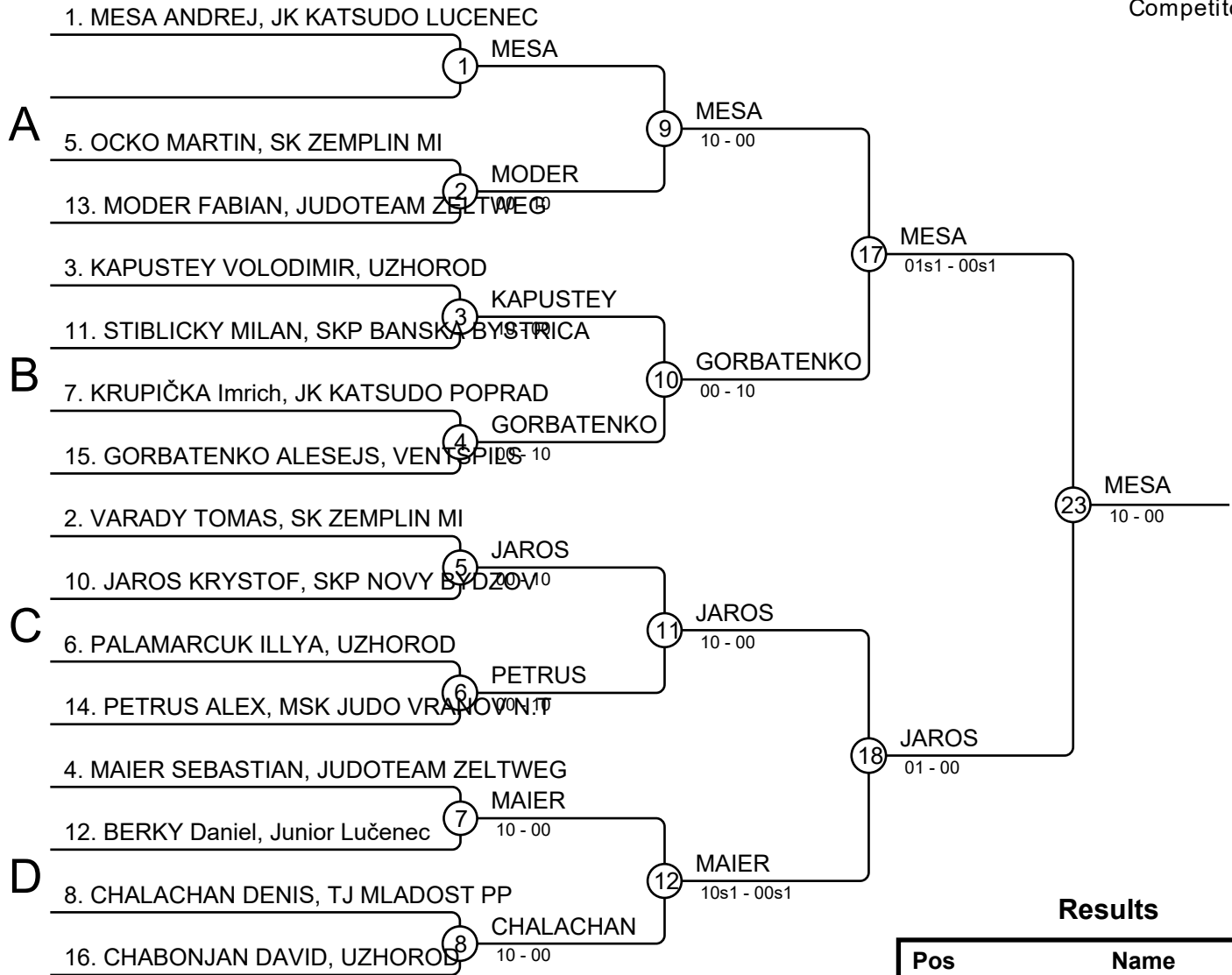


Results

| Pos | Name |
|-----|----------------------------------|
| 1 | MADERA ALEX, JC BARDEJOV |
| 2 | HÁGER Samuel, 1 JC PEZINOK |
| 3 | POTUCEK TOMAS, TJ OSTRAVA |
| 3 | GORBATENKO ARTJOMS, VENTSPILS |
| 5 | SZORAD MICHAL, JK TRNAVA |
| 5 | GUBIEN MARK, JK KOLAROVO |
| 7 | VOJTECH MATEJ, JC HRADEC KRALOVE |
| 7 | PENTKA Samuel, Junior Lučeneč |

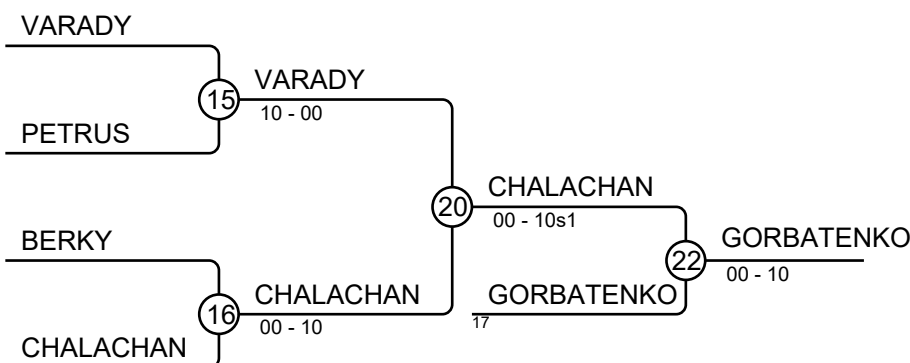
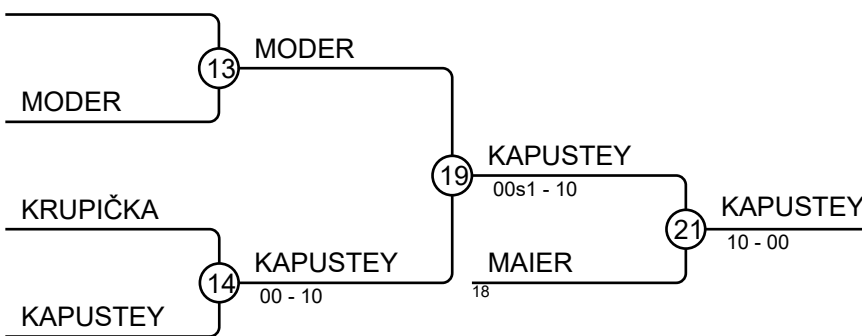
VT Michalovce 49. 22.06.2019 Michalovce MU15-60

Competitors: 15



Results

| Pos | Name |
|-----|-----------------------------------|
| 1 | MESA ANDREJ, JK KATSUDO LUCENEC |
| 2 | JAROS KRYSSTOF, SKP NOVY BYDZOVA |
| 3 | KAPUSTEY VOLODIMIR, UZHOROD |
| 3 | GORBATENKO ALESEJS, VENTSPILS |
| 5 | MAIER SEBASTIAN, JUDOTEAM ZELTWEG |
| 5 | CHALACHAN DENIS, TJ MLADOST PP |
| 7 | MODER FABIAN, JUDOTEAM ZELTWEG |
| 7 | VARADY TOMAS, SK ZEMPLIN MI |



VT Michalovce 49. 22.06.2019 Michalovce MU15-66

Competitors

Competitors: 5

| # | Name | Grade | Club | 1 | 2 | 3 | 4 | 5 | Wins | Pts | Pos |
|---|-----------------|-------|-------------------|----|----|---|----|----|------|-----|-----|
| 1 | TKACIK MAROS | ? | SK ZEMPLIN MI | | 10 | | | | 1 | 10 | 4 |
| 2 | FLOREK MICHAL | ? | BLEKITNI TARNOW | | | | | | 0 | 0 | 5 |
| 3 | VOLODJKO DAMIRS | ? | VENTSPILS | 10 | 10 | | 10 | 10 | 4 | 40 | 1 |
| 4 | FRIC DAVID | ? | TJ MLADOST ZILINA | 10 | 10 | | | 10 | 3 | 30 | 2 |
| 5 | HAMBOR MICHAL | ? | SPISSKA NOVA VES | 10 | 10 | | | | 2 | 20 | 3 |

Matches

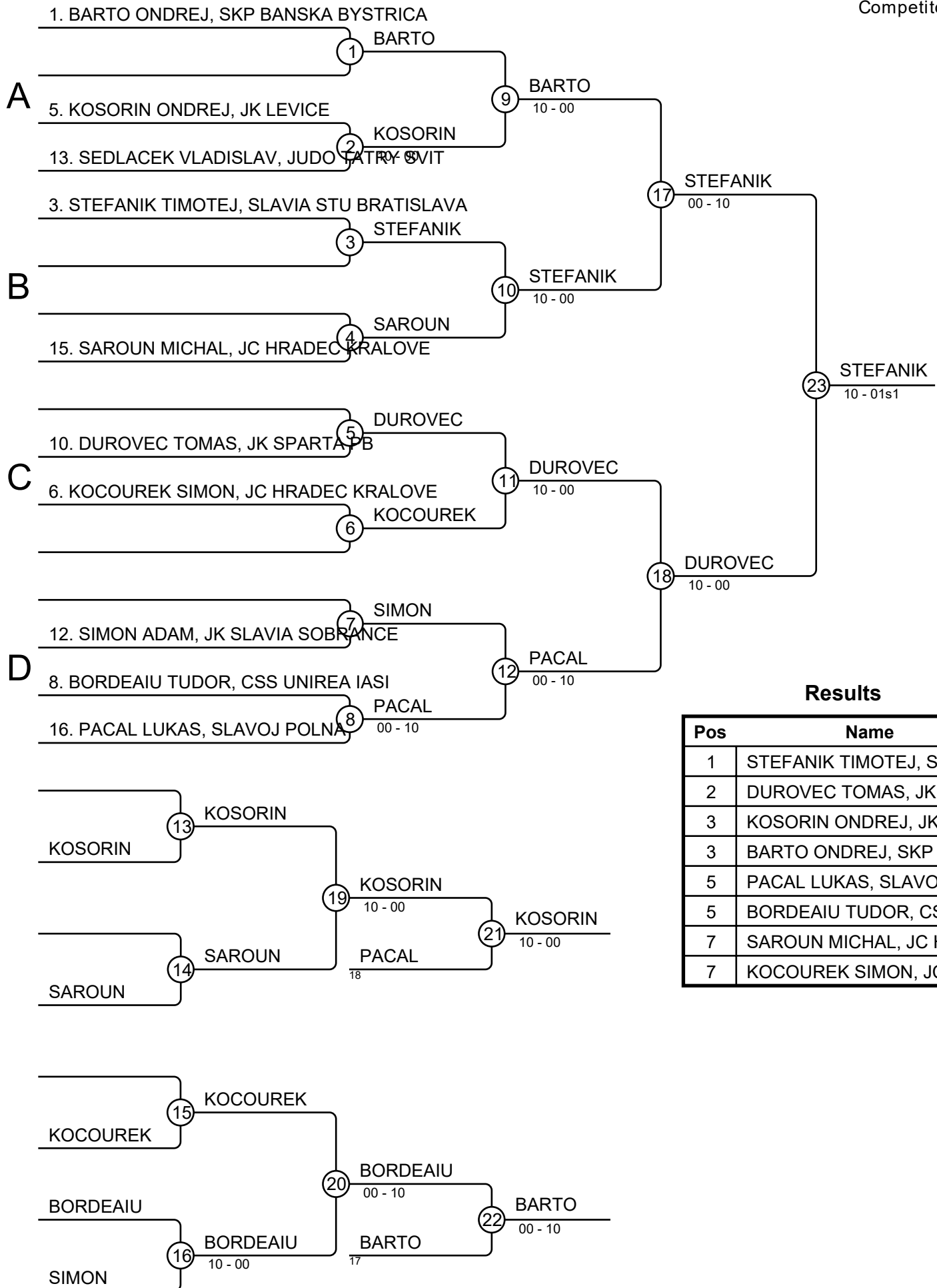
| Match | White | Blue | Result | Time |
|-------|-----------------|---------------------|-----------|------|
| 1 | FRIC DAVID | 4 5 HAMBOR MICHAL | 11s2-01 | 1:44 |
| 2 | TKACIK MAROS | 1 2 FLOREK MICHAL | 10s1-01s2 | 2:10 |
| 3 | VOLODJKO DAMIRS | 3 4 FRIC DAVID | 10-00 | 0:18 |
| 4 | TKACIK MAROS | 1 5 HAMBOR MICHAL | 00s1-10s1 | 1:23 |
| 5 | FLOREK MICHAL | 2 3 VOLODJKO DAMIRS | 00-10 | 0:10 |
| 6 | TKACIK MAROS | 1 4 FRIC DAVID | 00-10 | 0:30 |
| 7 | VOLODJKO DAMIRS | 3 5 HAMBOR MICHAL | 11-00 | 0:21 |
| 8 | FLOREK MICHAL | 2 4 FRIC DAVID | 00-10 | 2:42 |
| 9 | TKACIK MAROS | 1 3 VOLODJKO DAMIRS | 00-10 | 0:25 |
| 10 | FLOREK MICHAL | 2 5 HAMBOR MICHAL | 00-10 | 0:52 |

Results

| Pos | Name |
|-----|---------------------------------|
| 1 | VOLODJKO DAMIRS, VENTSPILS |
| 2 | FRIC DAVID, TJ MLADOST ZILINA |
| 3 | HAMBOR MICHAL, SPISSKA NOVA VES |
| 4 | TKACIK MAROS, SK ZEMPLIN MI |
| 5 | FLOREK MICHAL, BLEKITNI TARNOW |

VT Michalovce 49. 22.06.2019 Michalovce MU15-73

Competitors: 10



Results

| Pos | Name |
|-----|-----------------------------------------|
| 1 | STEFANIK TIMOTEJ, SLAVIA STU BRATISLAVA |
| 2 | DUROVEC TOMAS, JK SPARTA P B |
| 3 | KOSORIN ONDREJ, JK LEVICE |
| 3 | BARTO ONDREJ, SKP BANSKA BYSTRICA |
| 5 | PACAL LUKAS, SLAVOJ POLNA |
| 5 | BORDEAIU TUDOR, CSS UNIREA IASI |
| 7 | SAROUN MICHAL, JC HRADEC KRALOVE |
| 7 | KOCOUREK SIMON, JC HRADEC KRALOVE |

VT Michalovce 49. 22.06.2019 Michalovce MU15+73

Competitors

Competitors: 5

| # | Name | Grade | Club | 1 | 2 | 3 | 4 | 5 | Wins | Pts | Pos |
|---|------------------|-------|---------------------|----|----|----|----|---|------|-----|-----|
| 1 | BENDAS DANIEL | ? | MSK JUDO VRANOV N.T | | 10 | 10 | | | 2 | 20 | 3 |
| 2 | STIASNY JAKUB | ? | SPISSKA NOVA VES | | | | | | 0 | 0 | 5 |
| 3 | KAMAITIS RAPOLAS | ? | ALYTAUS | | 10 | | | | 1 | 10 | 4 |
| 4 | BALOG ROBERT | ? | LOKOMOTIVA RS | 10 | 10 | 10 | | | 3 | 30 | 2 |
| 5 | POPJAK TOMAS | ? | SK ZEMPLIN MI | 10 | 10 | 10 | 10 | | 4 | 40 | 1 |

Matches

| Match | White | Blue | Result | Time |
|-------|----------------------|------------------|---------|------|
| 1 | BALOG ROBERT 4 5 | POPJAK TOMAS | 00-10 | 0:28 |
| 2 | BENDAS DANIEL 1 2 | STIASNY JAKUB | 11-00s1 | 1:53 |
| 3 | KAMAITIS RAPOLAS 3 4 | BALOG ROBERT | 00-10 | 0:10 |
| 4 | BENDAS DANIEL 1 5 | POPJAK TOMAS | 00-10 | 0:23 |
| 5 | STIASNY JAKUB 2 3 | KAMAITIS RAPOLAS | 01-10 | 1:48 |
| 6 | BENDAS DANIEL 1 4 | BALOG ROBERT | 00-10 | 0:29 |
| 7 | KAMAITIS RAPOLAS 3 5 | POPJAK TOMAS | 00-10 | 0:22 |
| 8 | STIASNY JAKUB 2 4 | BALOG ROBERT | 01-11 | 1:19 |
| 9 | BENDAS DANIEL 1 3 | KAMAITIS RAPOLAS | 10-00 | 0:25 |
| 10 | STIASNY JAKUB 2 5 | POPJAK TOMAS | 00-10 | 0:33 |

Results

| Pos | Name |
|-----|------------------------------------|
| 1 | POPJAK TOMAS, SK ZEMPLIN MI |
| 2 | BALOG ROBERT, LOKOMOTIVA RS |
| 3 | BENDAS DANIEL, MSK JUDO VRANOV N.T |
| 4 | KAMAITIS RAPOLAS, ALYTAUS |
| 5 | STIASNY JAKUB, SPISSKA NOVA VES |